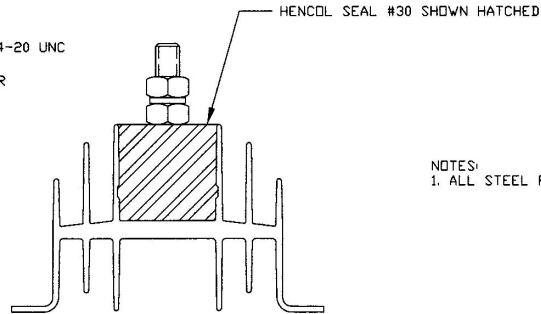
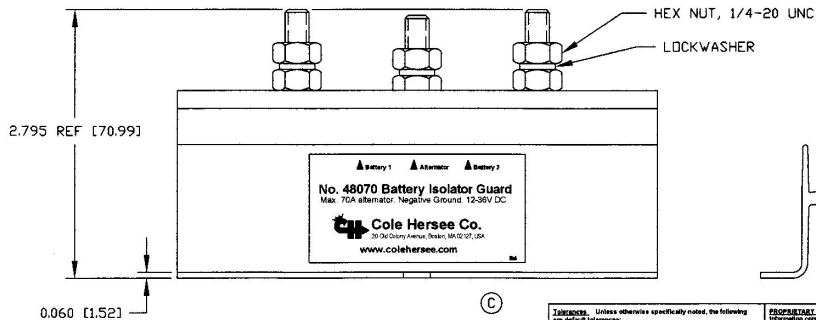


Revision Control Record			
Rev.	Description of Change	ECN No.	Date
B	NEW LABEL	01273	5/16/01
C	BATTERY 2 WAS BATTERY 1	03625	11/18/03



NOTES:
1. ALL STEEL PARTS PLATED

(C)

TOLERANCES: Unless otherwise specifically noted, the following are default tolerances:
 • 2-place Decimal Dimensions $\pm .02"$
 • 3-place Decimal Dimensions $\pm .005"$
 • Angular Dimensions ± 0.5 Deg.
 • Holes: Refer to equivalent English Dimensional Tolerance
 • $\pm .005$ NOTE: All tolerances are Minus Direction, unless otherwise specifically noted.

Dimensional Limits: All dimensions are expressed in inches except those shown in brackets (xxx) as expressed in millimeters.

DMC - or the Individual's - Min-Tolerance Reference Dimension, shown for distribution purposes only.

Used On: _____ Scale: **1:1**
 or Ref: _____

PROPRIETARY INFORMATION: This Engineering Drawing, and the information contained herein, is proprietary to Cole Hersee Company and may not be disclosed, re-produced, or in any other way transferred or communicated to any other party without the express written consent of an authorized representative of Cole Hersee Company.

DESIGN CONTROL: It is the responsibility of the individual using/relaying this drawing to ensure that the stated design revision level agrees with the revision level of the Controlled Document (Master Drawing). This is a NON-CONTROLLED DOCUMENT unless otherwise specifically noted.

Do NOT SCALE - dimensional variations may occur during printing/ reproduction.

Drawn By: **DPS** Date Drawn: **1/27/83**

Special Characteristics:

- Critical Characteristic, relating to Safety and/or Regulatory Compliance
- Significant Characteristic relating to Process Control (SPC)
- Key Characteristic relating to Form - Fit - Function as defined by Cole Hersee Company and/or the Customer.

Check that the Identification of any Characteristics as being "Special" does not alter the requirement that ALL specified dimensions & tolerances must be met.

Responsible Engineer: **N/A** Pg. 1 of 1

Cole Hersee Co.
 20 Old Colony Ave., South Boston, MA, 02127
 Phone: 617-268-2100 Web: www.colehersee.com

Description: 70 AMP BATTERY ISOLATOR GUARD

Drawing Part No.: 48070

Current Rev.: C