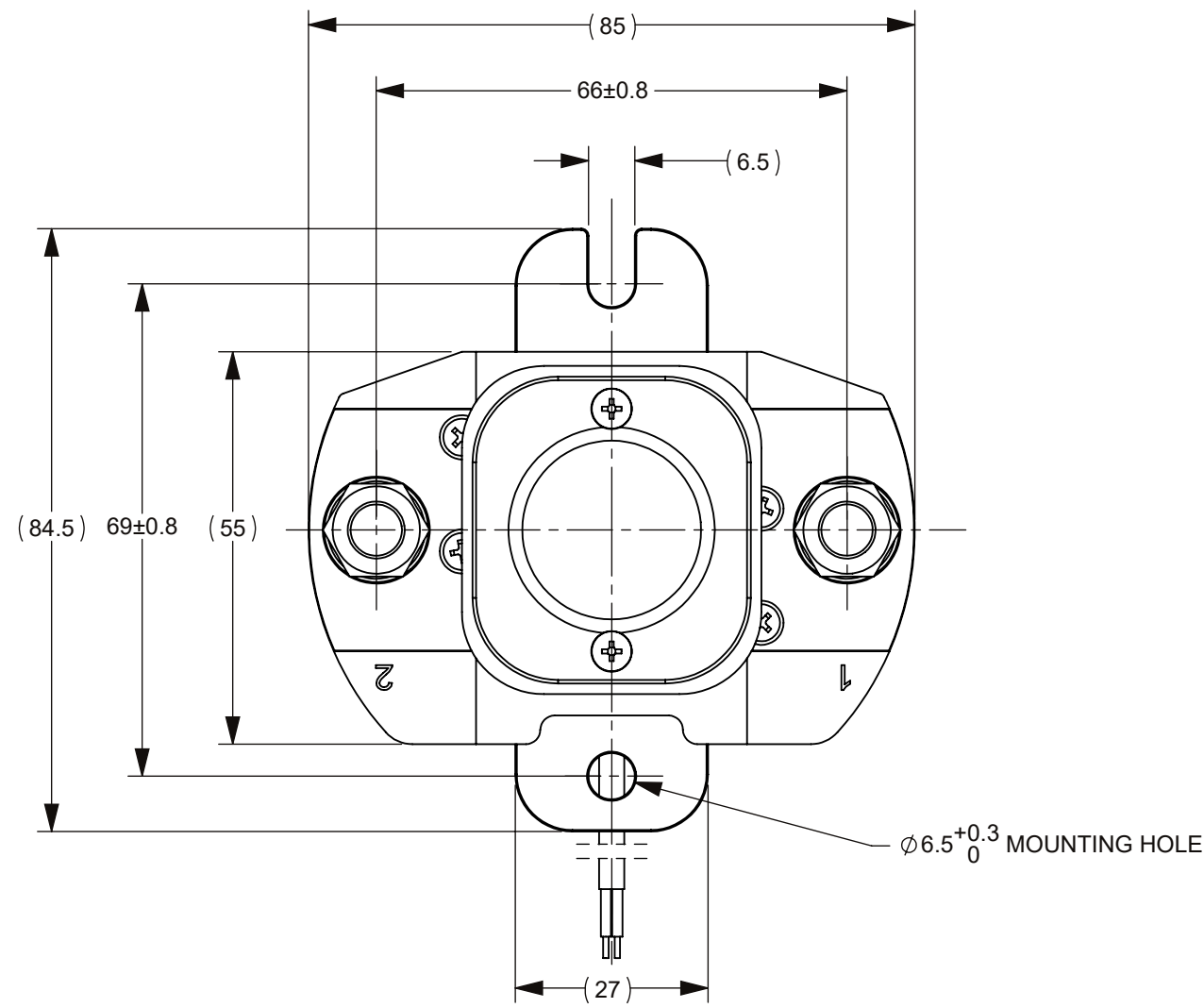
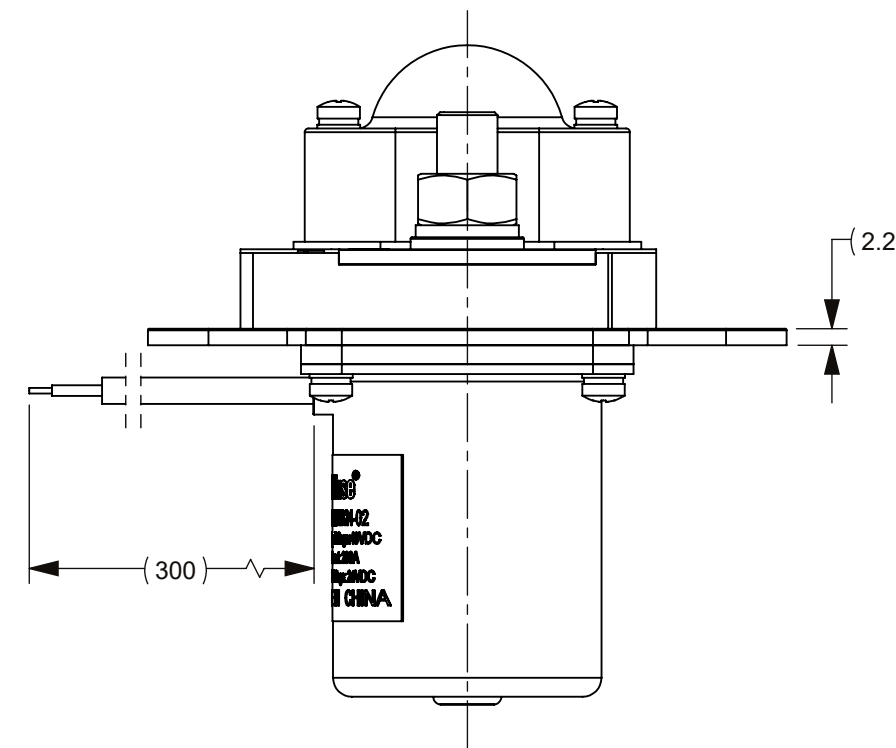
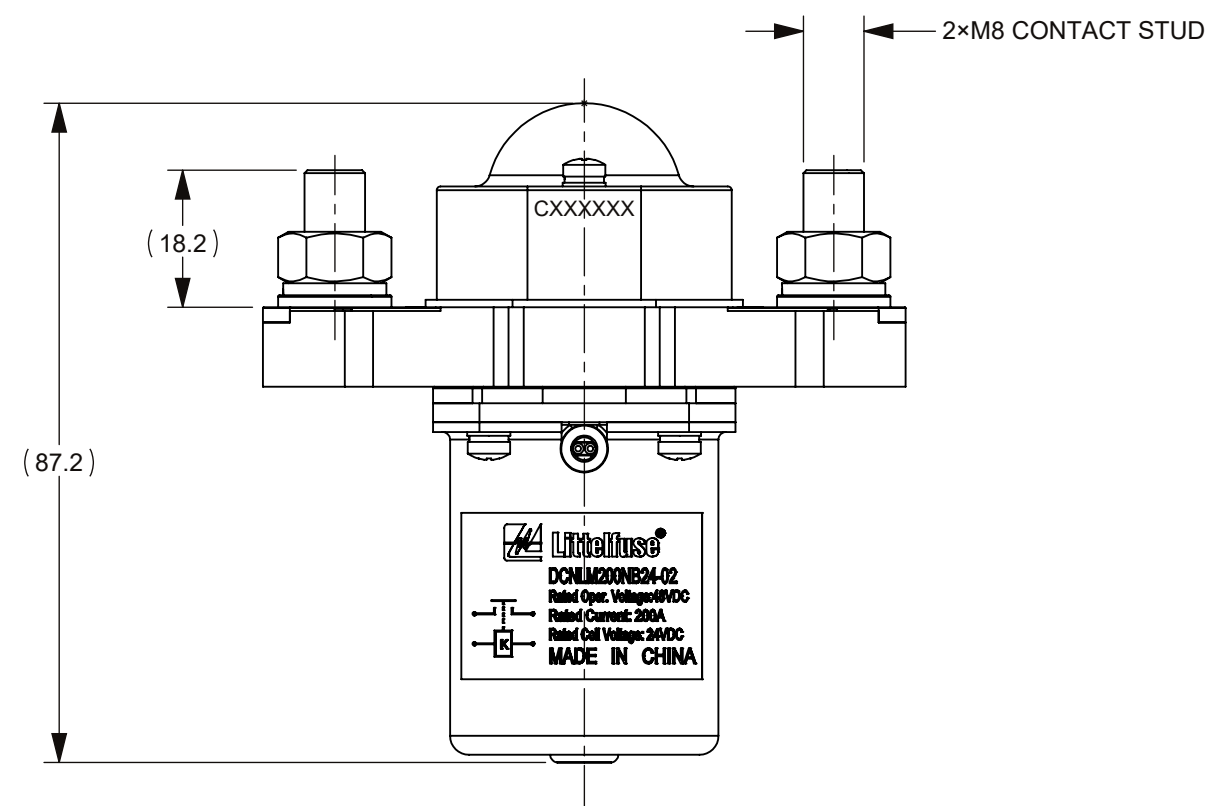
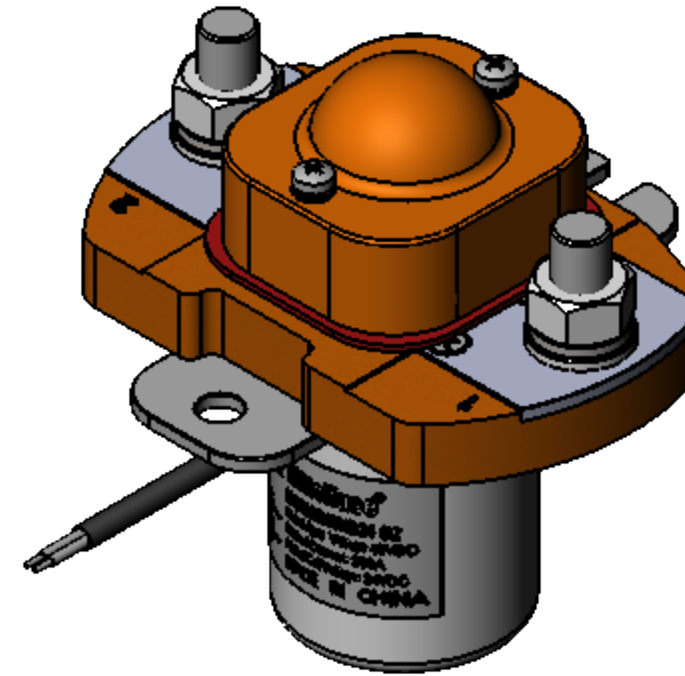
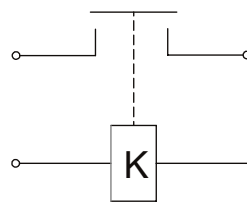


REVISIONS				
ZONE	REV.	DESCRIPTION	DATE	APPROVED
	A	GCF#524592 INITIAL RELEASE	SEP./25/2021	D. ZHANG



CIRCUIT SCHEMATIC DIAGRAM



NOTES:

- ALL SIZES ARE FOR REFERENCE ONLY.
- MATERIALS AND FINISHING:
 - BASE: THERMOSETTING PLASTIC, UL94V-0.
 - CONTACTS: SILVER ALLOY.
- PRODUCT TECHNICAL PARAMETERS: SEE TABLE 1.
- CONTACT ARRANGEMENT: SPST-NO.
- CONNECTION STUD: M8 STUD, RECOMMENDED TORQUE 9 N·m ~ 11 N·m.
- MOUNTING: M6 BOLT, RECOMMENDED TORQUE 6 N·m ~ 8 N·m.

TABLE 1: TECHNICAL PARAMETERS	
ITEM	PARAMETER
RATED COIL VOLTAGE	24V DC
HOLD POWER	MAX 10W
OPERATING VOLTAGE IN COLD STATE AT (20±5)°C	PICKUP: MAX 16.8V DC
	RELEASE: MIN 2V DC
OPERATE TIME	MAX 50ms
RELEASE TIME	MAX 20ms
BOUNCE TIME	MAX 7ms
RATED CONTACT VOLTAGE	48V DC
MAXIMUM CONTACT VOLTAGE	60V DC
RATED CONTACT CURRENT	200A
LIMIT BREAKING ABILITY	4le/5ms, 1CYCLES
CONTACT VOLTAGE DROP	≤50mV@100 A
DIELECTRIC STRENGTH	1000V AC, 50Hz, 1min., LEAKAGE CURRENT ≤1 mA
INSULATION RESISTANCE	≥50MΩ@500VDC
ELECTRIC LIFE	6000 CYCLES
MECHANICAL LIFE	100,000 CYCLES
WORKING DUTY	CONTINUOUS

DIMENSIONS ARE SHOWN IN MILLIMETERS. DIMENSIONS AND TOLERANCES ARE DEFINED ACCORDING TO ANSI/ASME Y14.5-1994.

●	FTI/ FUNCTION CRITICAL CHARACTERISTICS
<S>	SAFETY/ COMPLIANCE CRITICAL CHARACTERISTICS SYMBOL
CPK	DENOTES CPK DIMENSIONS MINIMUM CPK VALUE
(ST)	DENOTES A CHARACTERISTIC THAT PROVIDES AN INDICATION OF PROCESS PERFORMANCE. PROCEDURE FOR MEASUREMENT AND TRACKING TO BE DEFINED IN LITTELFUSE INSPECTION INSTRUCTIONS
CP	DENOTES CP DIMENSIONS. MINIMUM CP VALUE MUST BE WITHIN THE DIMENSIONAL LIMITATIONS SHOWN ON DRAWING AND INITIALLY LOCATED TO ALLOW FOR MAXIMUM TOOL LIFE

NAME	DATE	<p>Expertise Applied Answers Delivered</p>
DRAWN MJ. DAI	SEP./25/2021	
CHECKED J. LI	SEP./30/2021	
FORM NO. CVP-PE40-0005 REV B	TITLE	
THIRD ANGLE PROJECTION	DCNL 200A 48V CONTACTOR	
	SIZE C	DWG. NO. OL-DCNLM200NB24-02
DO NOT SCALE DRAWING	SCALE 1:1	REV. A

SHEET 1 OF 1