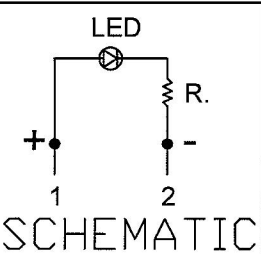
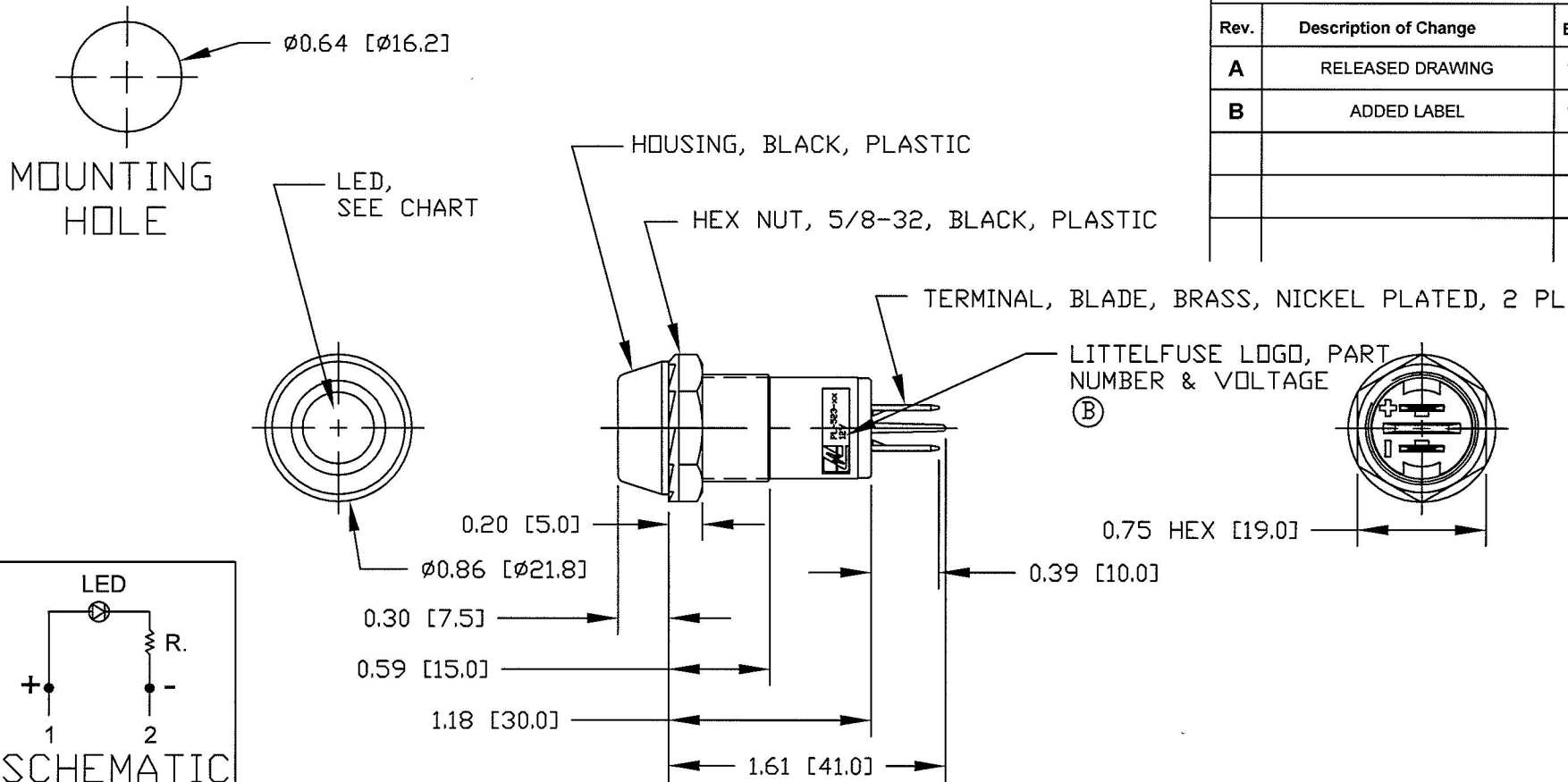


Revision Control Record

| Rev. | Description of Change | ECN No. | Date |
|------|-----------------------|---------|----------|
| A | RELEASED DRAWING | 11392 | 10/28/11 |
| B | ADDED LABEL | 12062 | 2/15/12 |
| | | | |
| | | | |



| | |
|-----------|------------------|
| PL-523-RC | RED |
| PL-523-GC | GREEN |
| PL-523-CC | CLEAR/WHITE |
| PL-523-BC | BLUE |
| PL-523-AC | AMBER |
| PT NO | LENS & LED COLOR |

- NOTES:
 1. POLARITY SENSITIVE
 2. RATING: 12Vdc
 3. ILLUMINATION: 500 LUX

Tolerances Unless otherwise specifically noted, the following are default tolerances;
2-places +/- 0.02"
3-places +/- 0.005"
Angular +/- 1'
 Metric: Shown in [] refers to equivalent English Dim Tol
 "REF." or an Asterisk (*) = Non-Toleranced Reference Dimension, shown for clarification purposes only.
 NOTE: All tolerances are Non-Cumulative.

PROPRIETARY INFORMATION
 This Engineering Drawing, and the information contained herein, is proprietary to Cole Hersee Company and may not be disclosed, re-produced, or in any other way transferred or communicated to any other party without the express written consent of an authorized representative of Cole Hersee Company.

Special Characteristics:
 CC Critical Characteristic, relating to Safety and/or Regulatory Compliance
 X Significant Characteristic relating to Process Control
 KC Control Dimension relating to Form - Fit - Function as defined by Cole Hersee Company and/or the Customer

Cole Hersee Co.
 20 Old Colony Ave., South Boston, MA, 02127
 Phn: 617-268-2100 Web: www.colehersee.com

Description:
PILOT LIGHT, LED