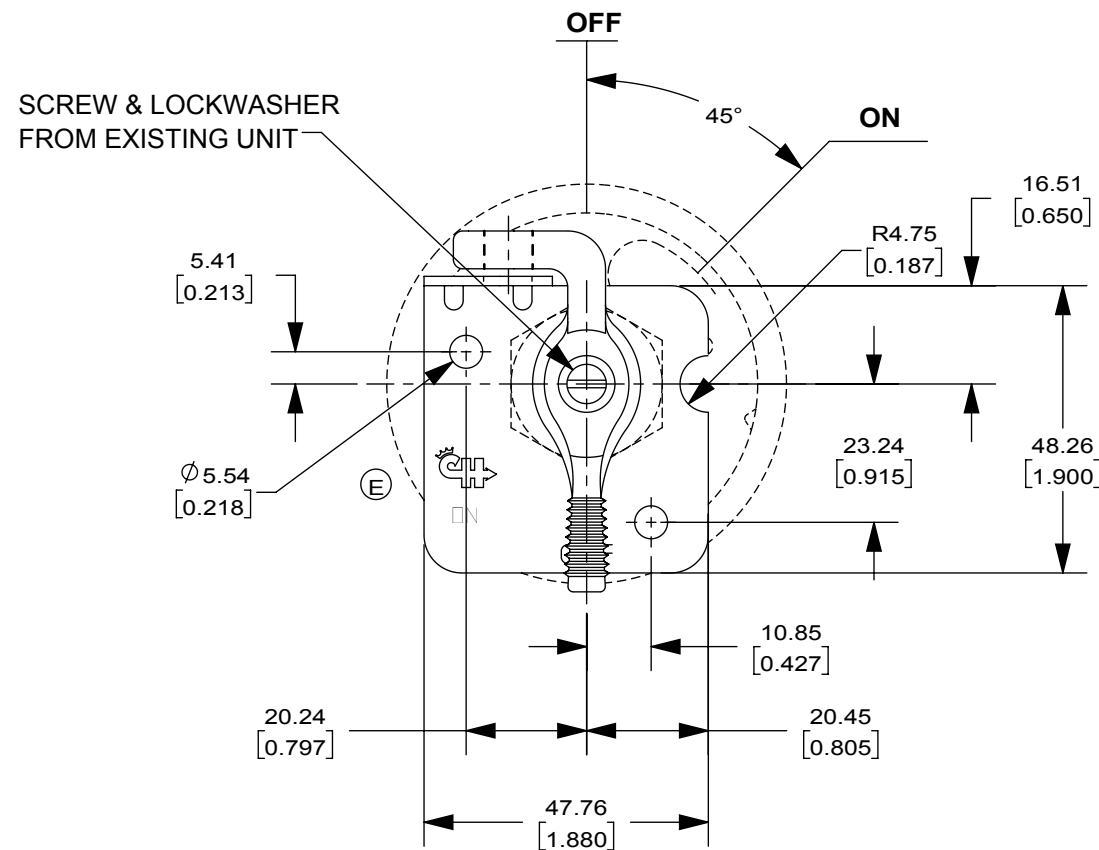


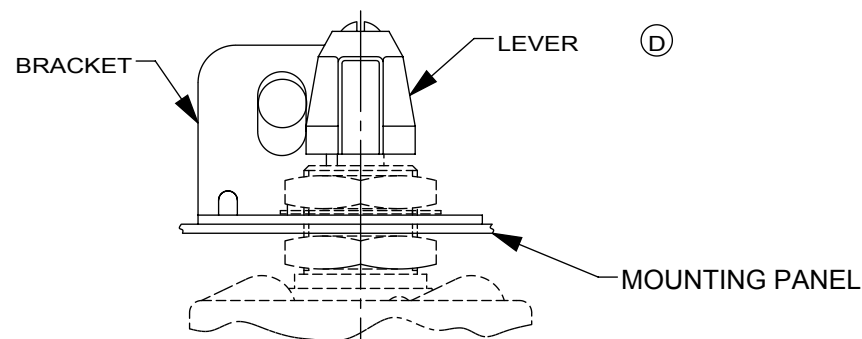
THIS DRAWING AND THE INFORMATION CONTAINED WITHIN IT ARE CONFIDENTIAL AND MAY NOT BE COPIED OR DISCLOSED WITHOUT THE WRITTEN PERMISSION OF LITTELFUSE.

REVISIONS				
ZONE	REV.	DESCRIPTION	DATE	APPROVED
	C	ECN #08348 ADDED NOTE 4	06/17/2008	LIZ
	D	ECN #09059 LEVER BRIGHT CHROME	01/19/2009	LIZ
	E	ECO #520819 UPDATE "CH" BRAND MARKING	05/23/2019	J. LI



NOTES

1. ALL STEEL PARTS PLATED
2. ALL DIMENSIONS ARE REFERENCE ONLY
3. LOCK OUT BRACKET, LEVER, TWO MOUNTING SCREWS & INSTRUCTION SHEET SHIPPED IN PLASTIC BAG
- ④ 4. FOR USE WITH 0.312 [7.93] DIAMETER LOCK SHANK



INTERPRET DRAWING TO ANSI/ASME Y14.5-1994.		
●	FIT/ FUNCTION CRITICAL CHARACTERISTICS SYMBOL	
<S>	SAFETY/ COMPLIANCE CRITICAL CHARACTERISTICS SYMBOL	
CPK	DENOTES CPK DIMENSIONS MINIMUM CPK VALUE	
ST	DENOTES A CHARACTERISTIC THAT PROVIDES AN INDICATION OF PROCESS PERFORMANCE PROCEDURE FOR MEASUREMENT AND TRACKING TO BE DEFINED IN LITTELFUSE INSPECTION INSTRUCTIONS	
CP	DENOTES CP DIMENSIONS, -MINIMUM CP VALUE MUST BE WITHIN THE DIMENSIONAL LIMITATIONS SHOWN ON DRAWING AND INITIALLY LOCATED TO ALLOW FOR MAXIMUM TOOL LIFE	
DIMENSION: MM TOLERANCES UNLESS OTHERWISE SPECIFIED ONE PLACE DECIMAL ± 0.5      THREE PLACES DECIMAL ± 0.100 TWO PLACES DECIMAL ± 0.20      ANGULAR ± 2°		
NAME	DATE	
DRAWN J. LI	05/23/2019	
CHECKED -	-	
-	-	
-	-	
FORM NO: CVP-PE40-0004 REV A	TITLE	
THIRD ANGLE PROJECTION	LOCK OUT KIT FOR MASTER DISCONNECT SW	
SIZE B	DWG. NO. 24505	REV. E
DO NOT SCALE DRAWING	SCALE 1:1	SHEET 3 OF 9

