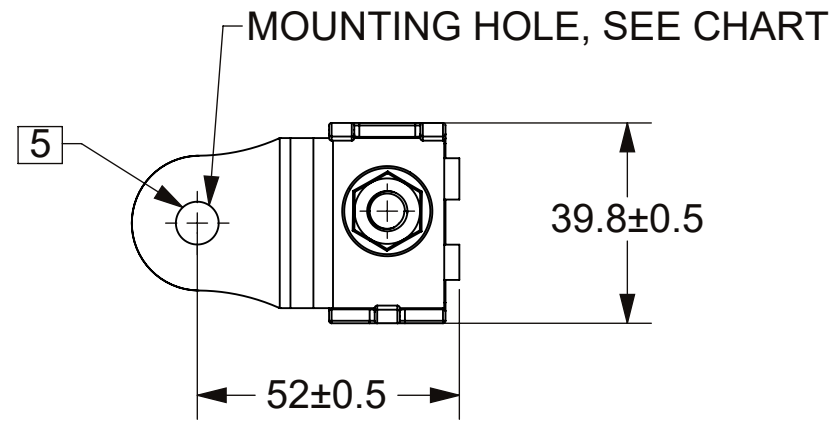


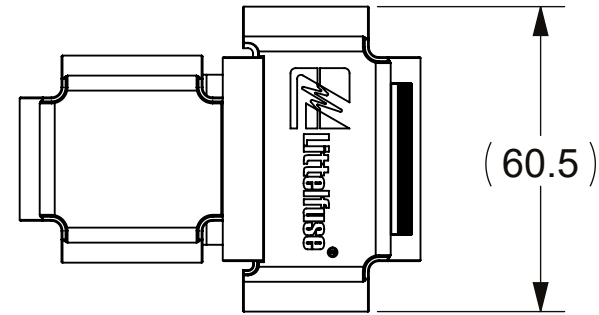
THIS DRAWING AND THE INFORMATION CONTAINED WITHIN IT ARE CONFIDENTIAL AND MAY NOT BE COPIED OR DISCLOSED WITHOUT THE WRITTEN PERMISSION OF LITTELFUSE.

REVISIONS				
ZONE	REV.	DESCRIPTION	DATE	APPROVED
	A	GCF #517922 INITIAL RELEASE	09/21/2017	J. LI
	B	ECR #520062 BUSBAR CHANGE TO SKINNY VERSION	10/20/2018	J. LI
	C	GCF #522153 ADD PNs FOR M6 STUD MOUNTING HOLE	04/01/2020	J. LI

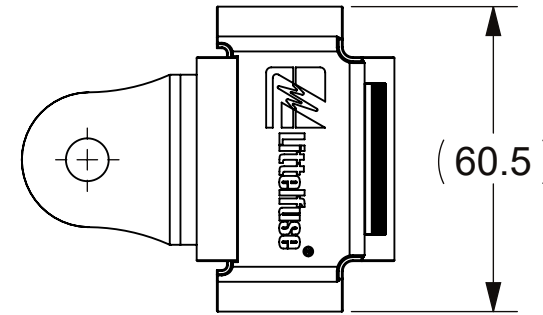
VIEW W/O COVER



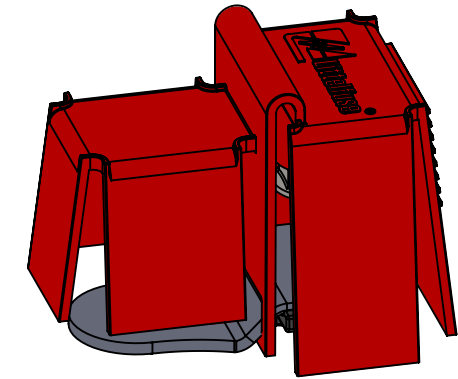
VIEW WITH FUSE&STUD COVER



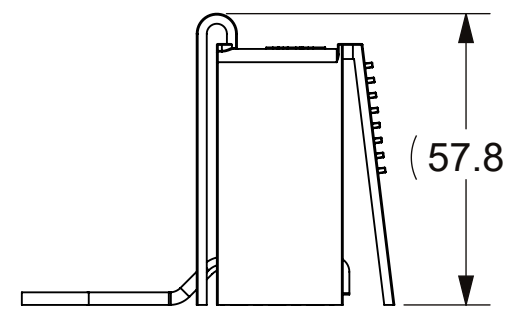
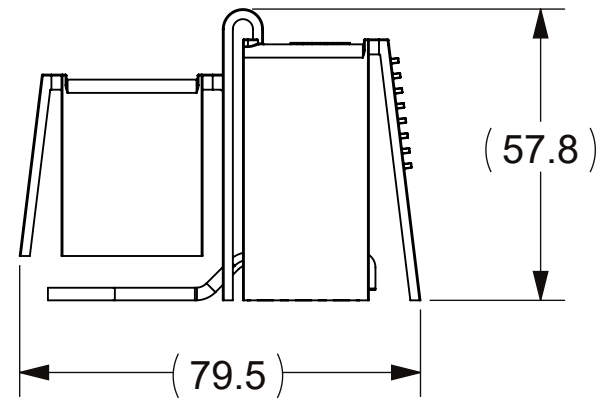
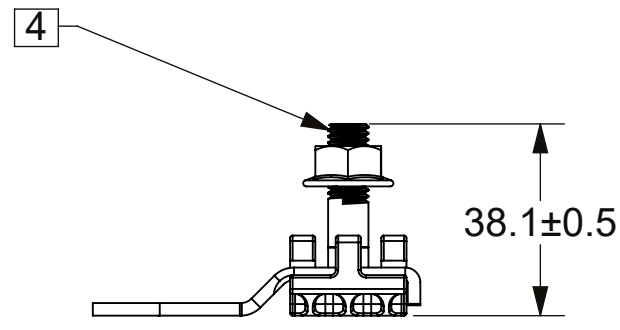
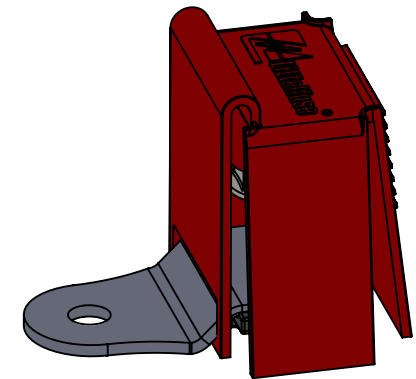
VIEW WITH FUSE COVER



VIEW WITH FUSE&STUD COVER



VIEW WITH FUSE COVER



CONFIGURATION CHART

P/N	Z-CASE FUSE	MOUNTING HOLE SIZE	NUT	FUSE&STUD COVER	FUSE COVER	REMARK
0FHZ0201Z	NO	Ø 8.5	YES	YES	-	W/O FUSE, WITH FUSE&STUD COVER, M8 MOUNTING
0FHZ0202Z	NO	Ø 8.5	YES	-	YES	W/O FUSE, WITH FUSE COVER, M8 MOUNTING
0FHZ0211Z	NO	Ø 10.5	YES	YES	-	W/O FUSE, WITH FUSE&STUD COVER, M10 MOUNTING
0FHZ0212Z	NO	Ø 10.5	YES	-	YES	W/O FUSE, WITH FUSE COVER, M10 MOUNTING
0FHZ0231Z	NO	Ø 6.5	YES	YES	-	W/O FUSE, WITH FUSE&STUD COVER, M6 MOUNTING
0FHZ0232Z	NO	Ø 6.5	YES	-	YES	W/O FUSE, WITH FUSE COVER, M6 MOUNTING
0FHZ0233Z	NO	Ø 6.5	YES	-	-	W/O FUSE, W/O COVER, M6 MOUNTING

NOTES:

- DRAWING SHOWN WITH FUSES INSTALLED FOR REFERENCE ONLY, SEE CONFIGURATION CHART
- MATERIAL:
BASE: PPA-GF33
STUD: STEEL, BLANKENING
BUSBAR: COPPER, TIN PLATED
- OPERATING TEMPERATURE RANGE: -40°C ~ +105°C
- WITH M8x1.25 SERRATED FLANGE NUT TO FIX Z-CASE FUSE AND WIRE TERMINAL
- REQUIRE M8 SERRATED FLANGE NUT FOR MOUNTING
- RECOMMENDED TORQUE VALUES FOR M8 NUT: 14±2 N-m
- MAX CONTINUOUS CURRENT INPUT: 400 AMPS
- FUSE MUST NOT EXCEED 70% OF RATED CURRENT

INTERPRET DRAWING TO ANSI/ASME Y14.5-1994.	
●	FIT/ FUNCTION CRITICAL CHARACTERISTICS SYMBOL
<S>	SAFETY/ COMPLIANCE CRITICAL CHARACTERISTICS SYMBOL
CPK	DENOTES CPK DIMENSIONS MINIMUM CPK VALUE
ST	DENOTES A CHARACTERISTIC THAT PROVIDES AN INDICATION OF PROCESS PERFORMANCE PROCEDURE FOR MEASUREMENT AND TRACKING TO BE DEFINED IN LITTELFUSE INSPECTION INSTRUCTIONS
CP	DENOTES CP DIMENSIONS. -MINIMUM CP VALUE MUST BE WITHIN THE DIMENSIONAL LIMITATIONS SHOWN ON DRAWING AND INITIALLY LOCATED TO ALLOW FOR MAXIMUM TOOL LIFE
DIMENSION: MM TOLERANCES UNLESS OTHERWISE SPECIFIED ONE PLACE DECIMAL ± 0.5 THREE PLACES DECIMAL ± 0.100 TWO PLACES DECIMAL ± 0.20 ANGULAR ± 2°	
NAME	DATE
DRAWN J. LI	07/12/2017
CHECKED -	-
-	-
-	-
FORM NO: CVP-PE40-0004 REV A	
THIRD ANGLE PROJECTION	
DO NOT SCALE DRAWING	
Expertise Applied Answers Delivered	
TITLE	
SINGLE Z-CASE FUSE HOLDER	
SIZE B	DWG. NO. OL-0FHZ0200Z, CHART
SCALE 2:3	OUTLINE REV. C
SHEET 1 OF 1	