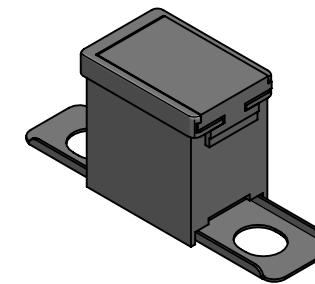
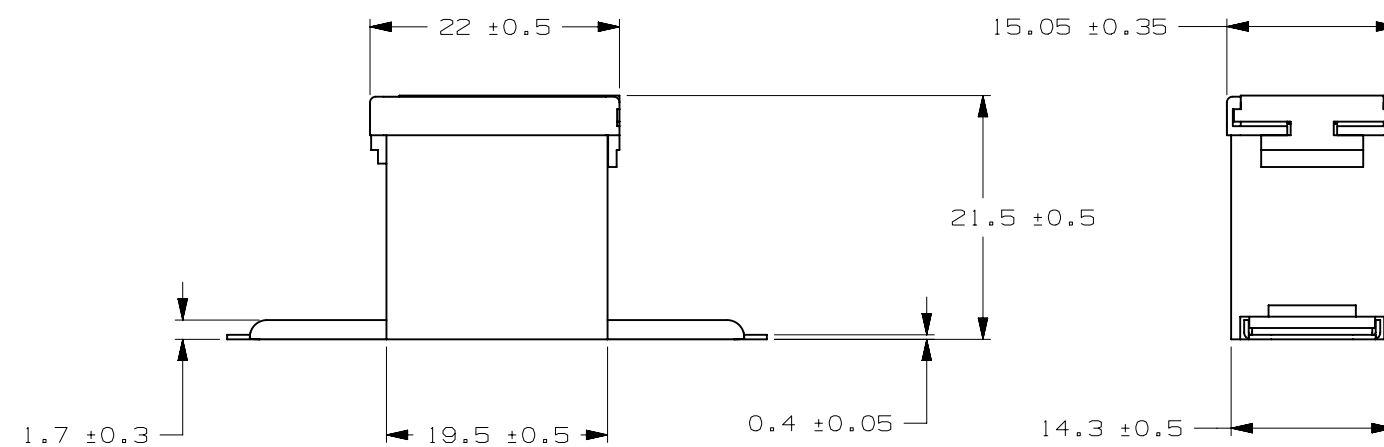
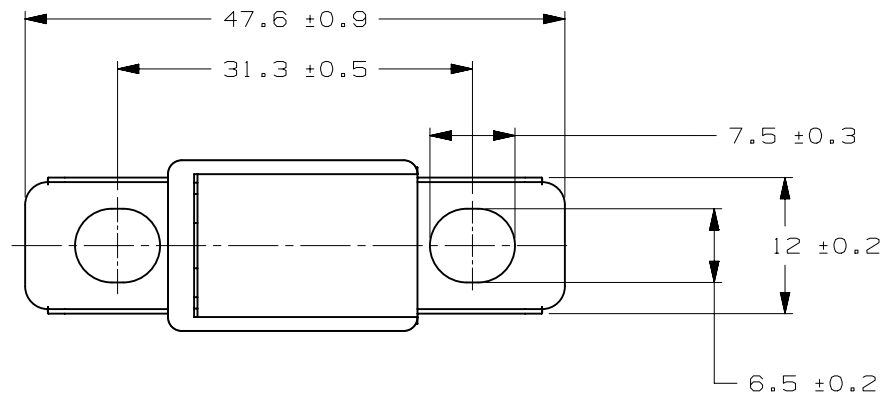


CURRENT RATE [ A ]	VERSIONS AND PART NUMBERS
30	0283030.MXJ-B
40	0283040.MXJ-B
50	0283050.MXJ-B
60	0283060.MXJ-B
70	0283070.MXJ-B
80	0283080.MXJ-B
100	0283100.MXJ-B
120	0283120.MXJ-B

LTR	DATE	REVISION	DRW
A	11/FEB/23	526175GCA - INITIAL RELEASE	OPL

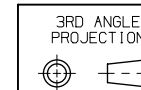


ISOMETRIC VIEW



PAL FUSE 283-B 32V	
TERMINAL MATERIAL:	COPPER ALLOY
TERMINAL PLATING:	NONE
HOUSING MATERIAL:	30A-70A: PA66 GF33 80A-120A: PET GF30
COVER MATERIAL:	30A-70A: PC/TRANSPARENT 80A-120A: PES/TRANSPARENT

DIM	LINEAR DIMENSIONS				ANGLES	RADI
	.5 - 6	6 - 30	30 - 120	120 - 400		
TOL	±0.1	±0.2	±0.3	±0.5	±0.5°	±0.2



REVISION  
A

DRWG. NO.  
WEB-0283000.MXJ-B