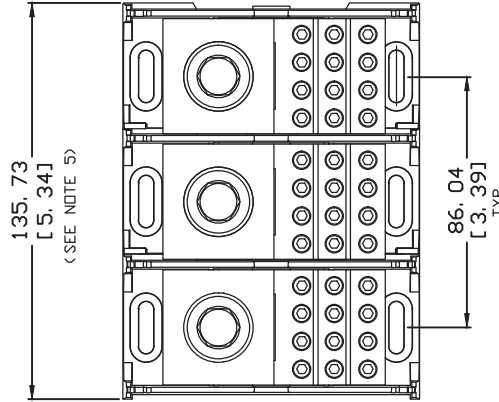


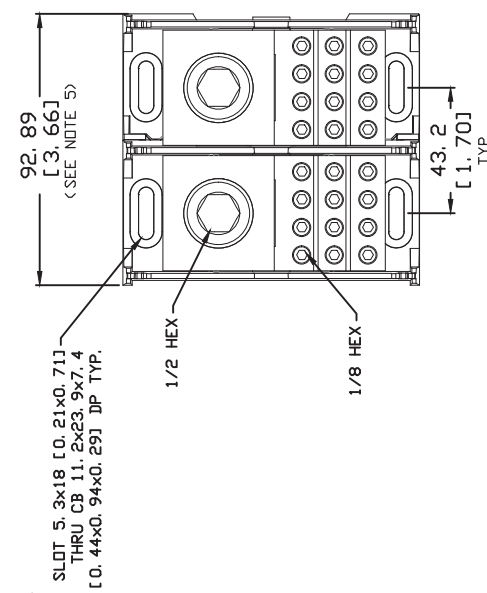
PART NUMBER
OLD35951Z
OLD35952Z
OLD35953Z

REV	DATE	DESCRIPTION
1	11/15/2016	RELEASE FOR MANUFACTURE
2	07/27/18	
3	08/01/18	
4	11/15/2016	REVISION
5	03/22/2016	
6	03/22/2016	
7	03/22/2016	
8	02/27/18	

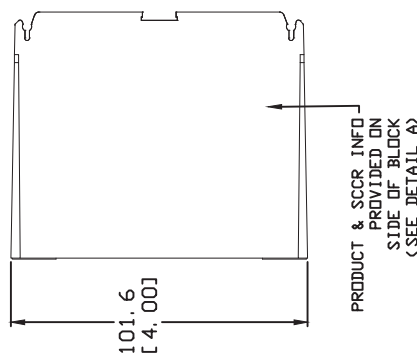
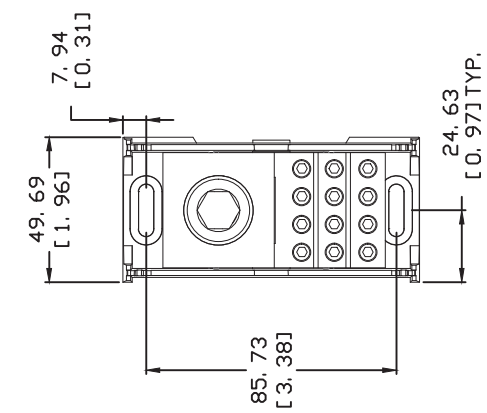
OLD35953Z



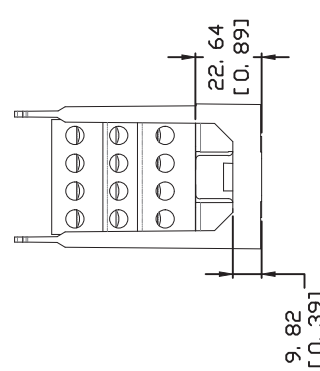
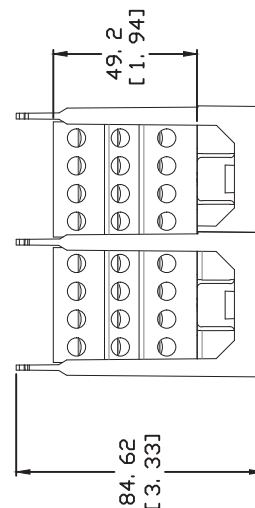
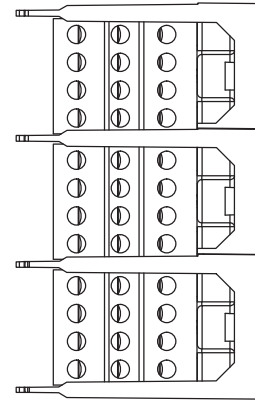
OLD35952Z



OLD35951Z



PRODUCT & SCRR INFO PROVIDED ON SIDE OF BLOCK (SEE DETAIL A)



- NOTES:**
- 1) AGENCY INFORMATION:
UL FILE NO. E171395
CSA FILE No. 019766_M_060; ALT NO. 700111
 - 2) MATERIALS:
INSULATOR: HIGH IMPACT THERMOPLASTIC
TEMPERATURE RATING 125°C (257°F)
CONNECTOR: ALUMINUM
 - 3) TERMINATION:
LINE: 600kcmil-2 AWG
LOAD: 4-14 AWG
WIRE COMBINATIONS PER UL FILE
 - 4) MAXIMUM AMP RATING PER POLE: 420 A
BASED ON NEC WIRE RATING CODE, 75°C WIRE
 - 5) OVERALL LENGTH = 1.96 + 1.7*(X-1)
WHERE (X) IS THE NUMBER OF LINES
 - 6) TORQUE:
LINE: 375 IN-LB
LOAD: 4-8 CU/AL 35 IN-LB.
10-14 CU 35 IN-LB.

PART NUMBER (SEE CHART)

Littelfuse	
600V TORQUE	
LINE: 600kcmil-2	
LOAD: TORQUE	
UL FILE NO. E171395	
CSA FILE NO. 019766_M_060	
600V	
UL LISTED	
CE	
Littelfuse	
CHICAGO, ILLINOIS 60631	

DETAIL A
PRODUCT LABEL

● DENOTES CRITICAL CHARACTERISTICS.			
CPK	DENOTES CPK DIMENSIONS. -MINIMUM CPK VALUE		
(ST)	DENOTES A CHARACTERISTIC THAT PROVIDES AN INDICATION OF PROCESS PERFORMANCE. PROCEDURE FOR MEASUREMENT AND TRACKING TO BE DEFINED IN THE COMMENTS SECTION.		
CP	DENOTES CP DIMENSIONS. -MINIMUM CP VALUE MUST BE WITHIN THE DIMENSIONAL LIMITATIONS SHOWN ON DRAWING AND INITIALLY LOCATED TO ALLOW FOR MAXIMUM TOOL LIFE.		
MATERIAL SPEC FINISH			
DRW	DATE	SCALE	FINISH GOOD WT
hypack	2/4/2016	NTS	GRAMS/PIECE
UNLESS OTHERWISE SPECIFIED, DIMENSIONS ARE IN MILLIMETERS. DIMENSIONS IN BRACKETS [] ARE INCHES DIMENSIONING AND DO NOT INCLUDE PLATING. TOLERANCING TO BE INTERPRETED IN ACCORDANCE WITH ANSI Y14.5M-1994			
PRODUCTION			
TITLE			
600V DISTRIBUTION BLOCK 420A OUTLINE			
REVISION		DRWG NO.	SHEET 1 OF 1
B		OL-LD3595	

TOLERANCE (UNLESS OTHERWISE SPECIFIED):
1. PLACE ± 0.5mm [0.1]
2. PLACE ± 0.76mm [0.03]
3. PLACE ± 0.381mm [0.015]