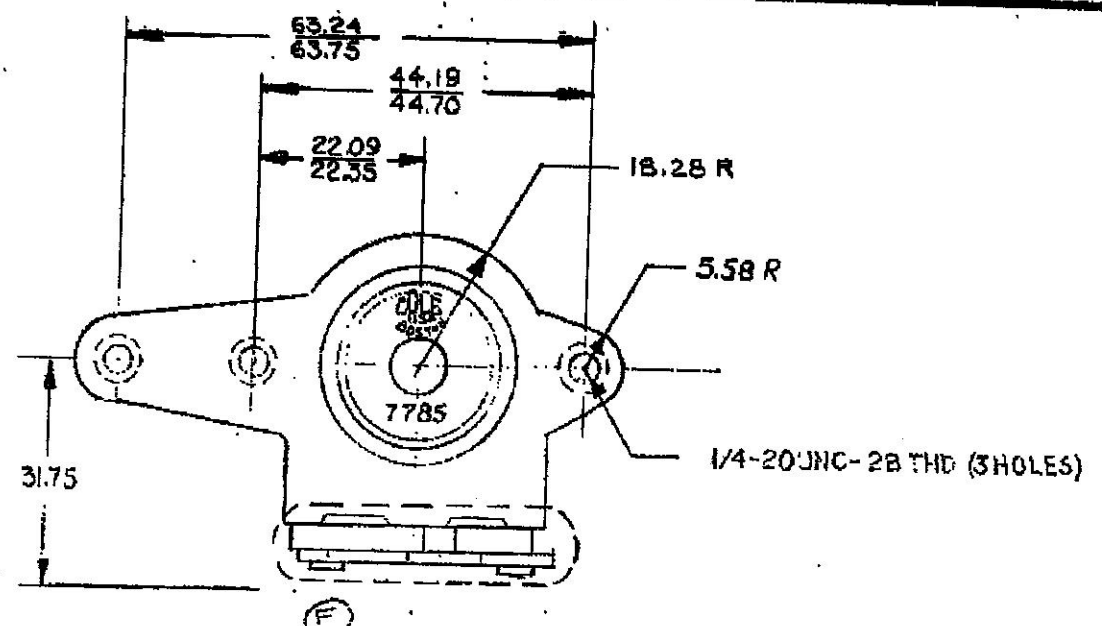


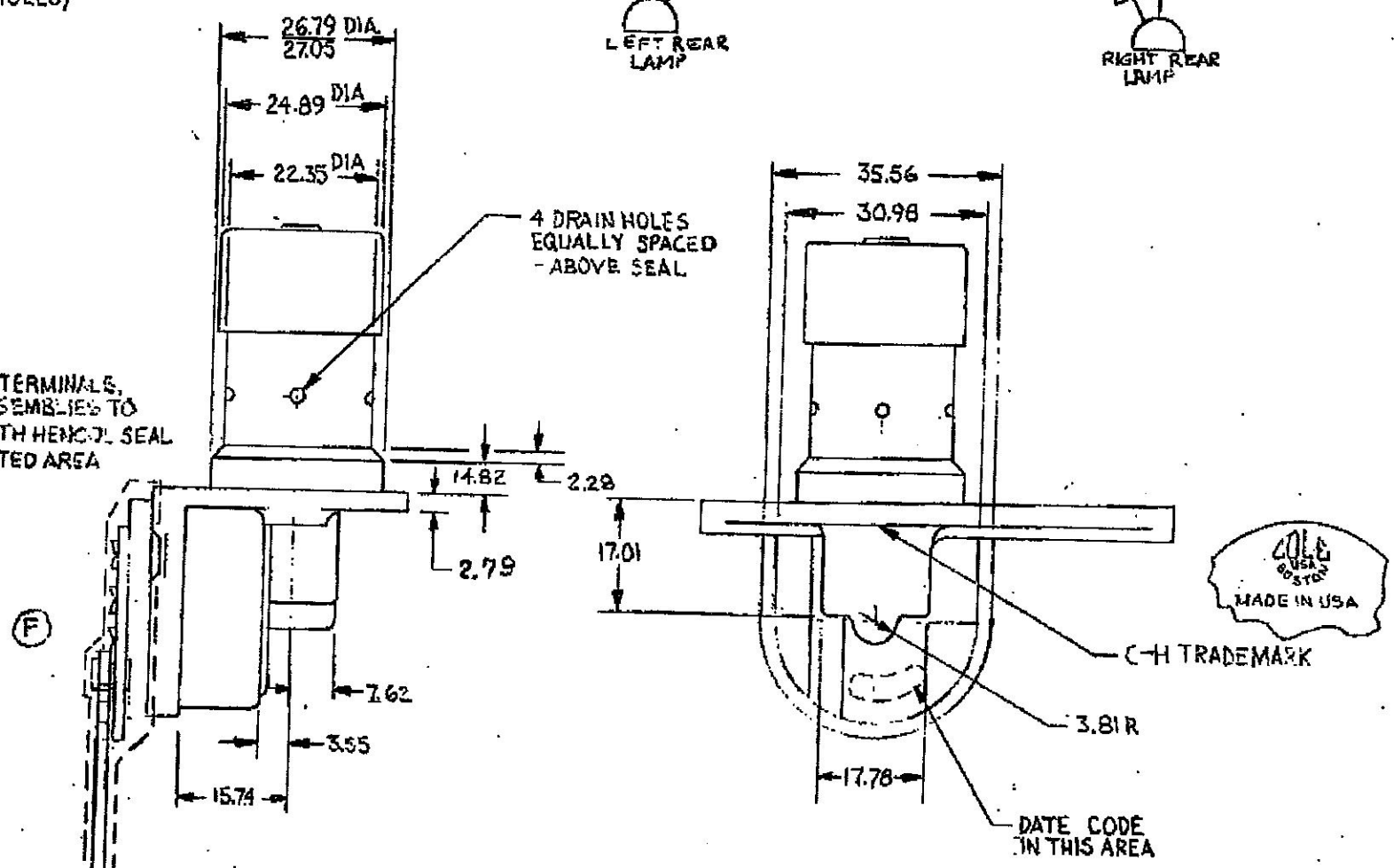
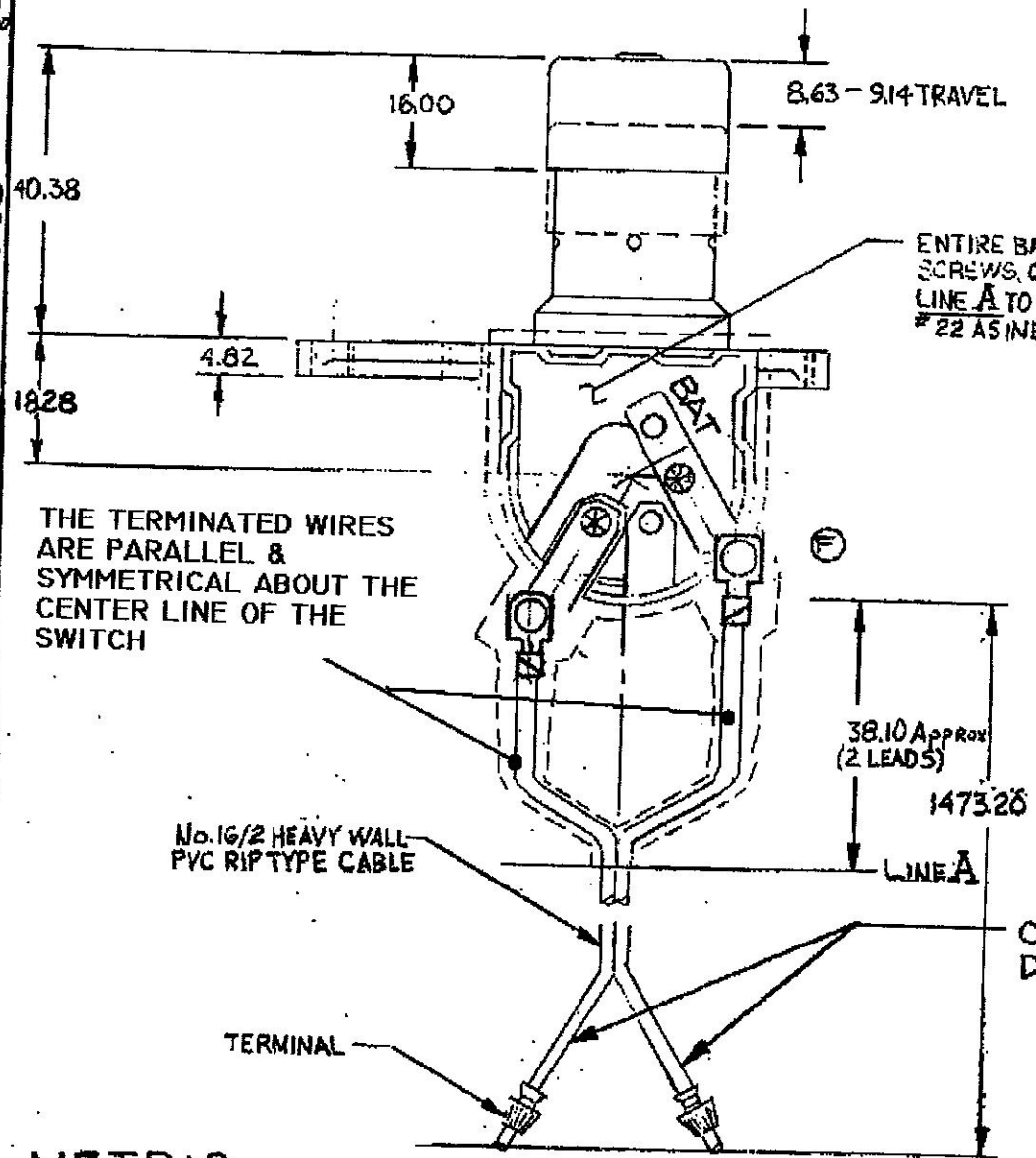
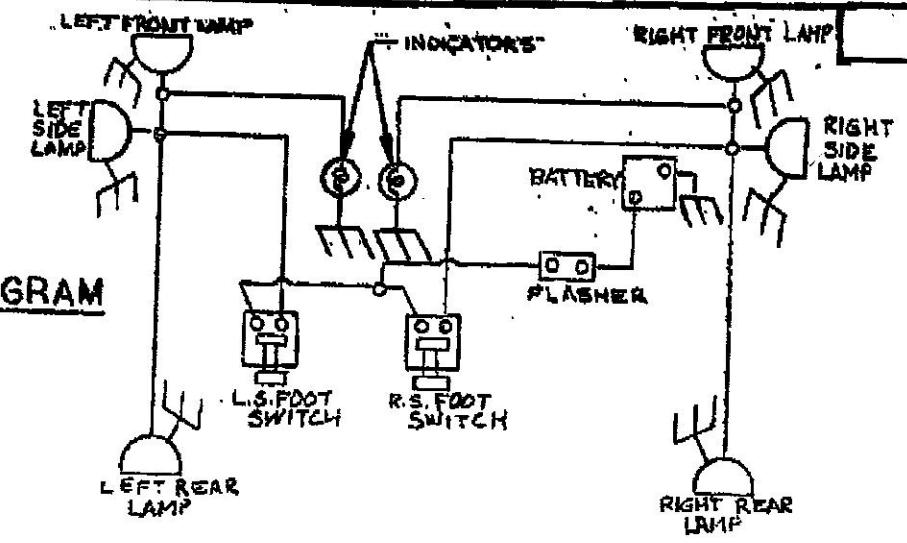
COLE-HERSEE CO

1.25	1.25
1.50	1.50
1.75	1.75
2.00	2.00
2.25	2.25
2.50	2.50
2.75	2.75
3.00	3.00
3.25	3.25
3.50	3.50
3.75	3.75
4.00	4.00
4.25	4.25
4.50	4.50
4.75	4.75
5.00	5.00
5.25	5.25
5.50	5.50
5.75	5.75
6.00	6.00
6.25	6.25
6.50	6.50
6.75	6.75
7.00	7.00
7.25	7.25
7.50	7.50
7.75	7.75
8.00	8.00
8.25	8.25
8.50	8.50
8.75	8.75
9.00	9.00
9.25	9.25
9.50	9.50
9.75	9.75
10.00	10.00
10.25	10.25
10.50	10.50
10.75	10.75
11.00	11.00
11.25	11.25
11.50	11.50
11.75	11.75
12.00	12.00
12.25	12.25
12.50	12.50
12.75	12.75
13.00	13.00
13.25	13.25
13.50	13.50
13.75	13.75
14.00	14.00
14.25	14.25
14.50	14.50
14.75	14.75
15.00	15.00
15.25	15.25
15.50	15.50
15.75	15.75
16.00	16.00
16.25	16.25
16.50	16.50
16.75	16.75
17.00	17.00
17.25	17.25
17.50	17.50
17.75	17.75
18.00	18.00
18.25	18.25
18.50	18.50
18.75	18.75
19.00	19.00
19.25	19.25
19.50	19.50
19.75	19.75
20.00	20.00
20.25	20.25
20.50	20.50
20.75	20.75
21.00	21.00
21.25	21.25
21.50	21.50
21.75	21.75
22.00	22.00
22.25	22.25
22.50	22.50
22.75	22.75
23.00	23.00
23.25	23.25
23.50	23.50
23.75	23.75
24.00	24.00
24.25	24.25
24.50	24.50
24.75	24.75
25.00	25.00
25.25	25.25
25.50	25.50
25.75	25.75
26.00	26.00
26.25	26.25
26.50	26.50
26.75	26.75
27.00	27.00
27.25	27.25
27.50	27.50
27.75	27.75
28.00	28.00
28.25	28.25
28.50	28.50
28.75	28.75
29.00	29.00
29.25	29.25
29.50	29.50
29.75	29.75
30.00	30.00
30.25	30.25
30.50	30.50
30.75	30.75
31.00	31.00
31.25	31.25
31.50	31.50
31.75	31.75
32.00	32.00
32.25	32.25
32.50	32.50
32.75	32.75
33.00	33.00
33.25	33.25
33.50	33.50
33.75	33.75
34.00	34.00
34.25	34.25
34.50	34.50
34.75	34.75
35.00	35.00
35.25	35.25
35.50	35.50
35.75	35.75
36.00	36.00
36.25	36.25
36.50	36.50
36.75	36.75
37.00	37.00
37.25	37.25
37.50	37.50
37.75	37.75
38.00	38.00
38.25	38.25
38.50	38.50
38.75	38.75
39.00	39.00
39.25	39.25
39.50	39.50
39.75	39.75
40.00	40.00
40.25	40.25
40.50	40.50
40.75	40.75
41.00	41.00
41.25	41.25
41.50	41.50
41.75	41.75
42.00	42.00
42.25	42.25
42.50	42.50
42.75	42.75
43.00	43.00
43.25	43.25
43.50	43.50
43.75	43.75
44.00	44.00
44.25	44.25
44.50	44.50
44.75	44.75
45.00	45.00
45.25	45.25
45.50	45.50
45.75	45.75
46.00	46.00
46.25	46.25
46.50	46.50
46.75	46.75
47.00	47.00
47.25	47.25
47.50	47.50
47.75	47.75
48.00	48.00
48.25	48.25
48.50	48.50
48.75	48.75
49.00	49.00
49.25	49.25
49.50	49.50
49.75	49.75
50.00	50.00

7785



WIRING DIAGRAM



SWITCH NORMALLY OPEN
 WEATHERPROOF
 ONE PURPLE & ONE DARK BLUE WIRE LEADS

Confidential Property of Cole Hersee

METRIC

LET.	WAS.	DATE	BY	LET.	WAS.	DATE	BY	MATERIAL	DRAWN	CHECKED	APPROVED	SCALE	DO NOT SCALE
				J	ECN 06176	06/12/06	SM		RMT				DATE DRAWN 3-23-77
				H	ECN 02364	4/30/62	SM	FINISH					DATE BLUEPRINT
				G	ADD NOTE	5/16/69	SM						
				F	ECN 24209	11/16/69	RD	TOLERANCES DECIMAL ± METRIC .1					
				E	REDRAWN	10/18/66	RD						

TURN SIGNAL SWITCH 7785