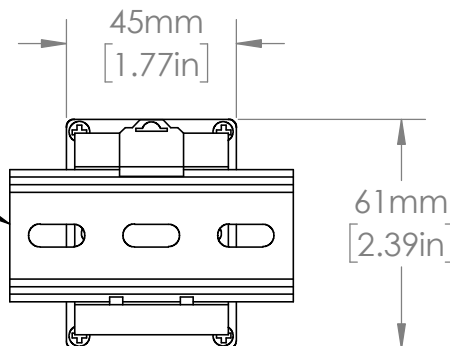


OT08PC
RELAY SOCKET

35mm
DIN RAIL



UNLESS NOTED OTHERWISE
DIMENSIONS ARE IN INCHES
TOLERANCES:
TWO PLACE DECIMAL ±0.05
NOT DRAWN TO SCALE



DESCRIPTION:
VOLTAGE/PHASE MONITORING

PART NUMBER:
201A-SERIES

REV
A

SHEET 1 OF 1



MATERIAL	NAME	DATE
	JMOLER	10/21/22