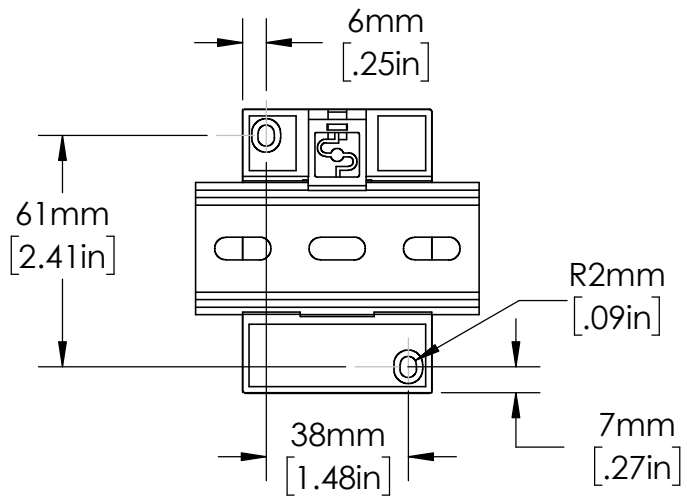
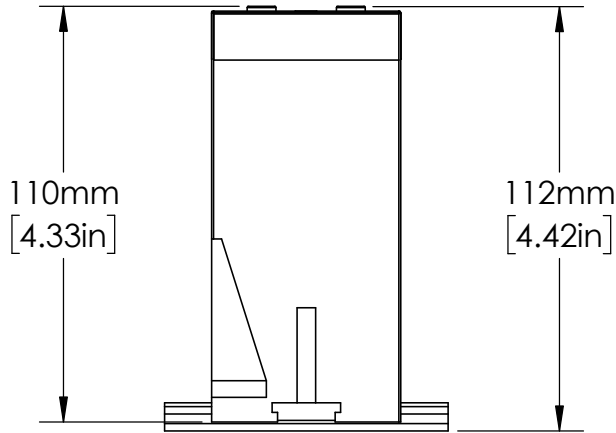
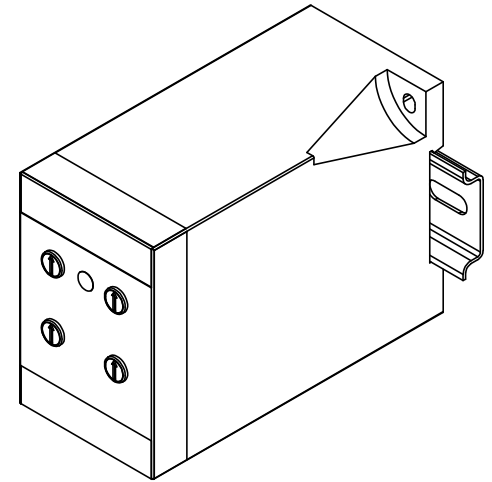


EN550022 (35.0 x 7.5mm)  
DIN RAIL SHOWN



UNLESS NOTED OTHERWISE  
DIMENSIONS ARE IN INCHES  
TOLERANCES:  
TWO PLACE DECIMAL ±0.05  
NOT DRAWN TO SCALE

MATERIAL	
NAME	DATE
DRAWN BY J.MOLER	1/27/23



DESCRIPTION:  
VOLTAGE MONITORING  
PROTECTION

PART NUMBER:  
DLM SERIES

REV  
A

WEIGHT:

SHEET 1 OF 1