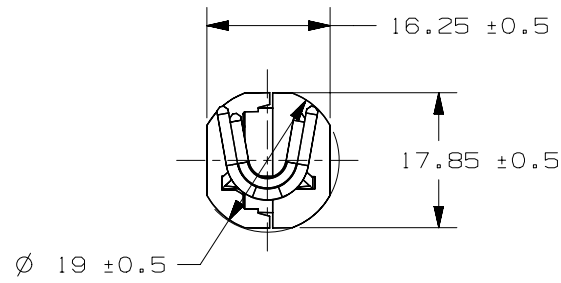
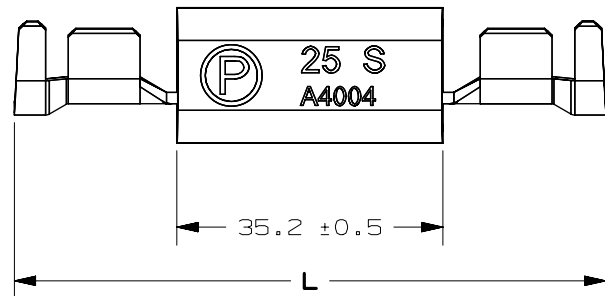
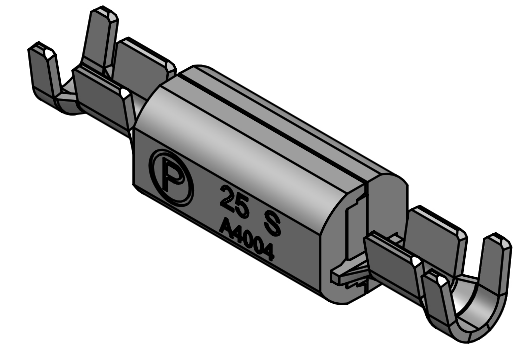
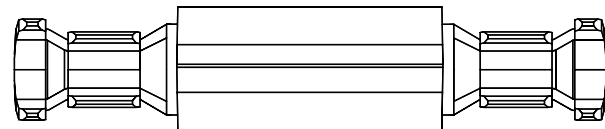
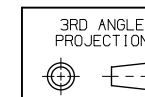


CURRENT RATING [A]	VERSIONS AND PART NUMBERS	WIRE SIZE (mm ²)	L mm
100	153.1002	10	78
125	153.1012	10	78
125	153.1602	16	78
170	153.1612	16	78.3
170	153.2505	25	78.1
190	153.2512	25	78.1
300	153.3502	35	78.3
200	153.2535	25	78.3

LTR	DATE	REVISION	DRW
A	01/FEB/23	526174GCA - INITIAL RELEASE	OPL



BF - INLINE 32V						
TERMINAL MATERIAL:	COPPER ALLOY					
TERMINAL PLATING:	TIN					
HOUSING MATERIAL:	PET GF 30					
INSULATED HOUSING MATERIAL:	PET GF 30					
CABLE INSULATING MATERIAL:	100-125-170-300A: PVC 125-170-190-200A: SILICONE					
LINEAR DIMENSIONS					ANGLES	RADII
DIM	.5 - 6	6 - 30	30 - 120	120 - 400	±0.5°	±0.2
TOL	±0.1	±0.2	±0.3	±0.5		



REVISION
A

DRWG. NO.
WEB-153.0000