

4

3

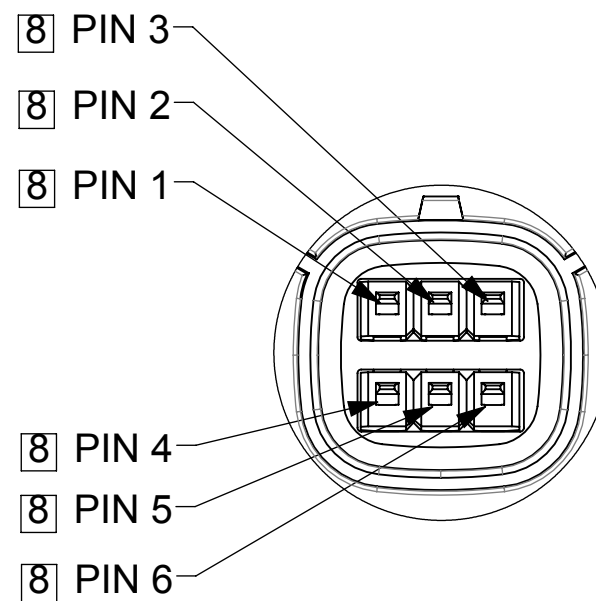
2

1

NOTES: (UNLESS OTHERWISE SPECIFIED)

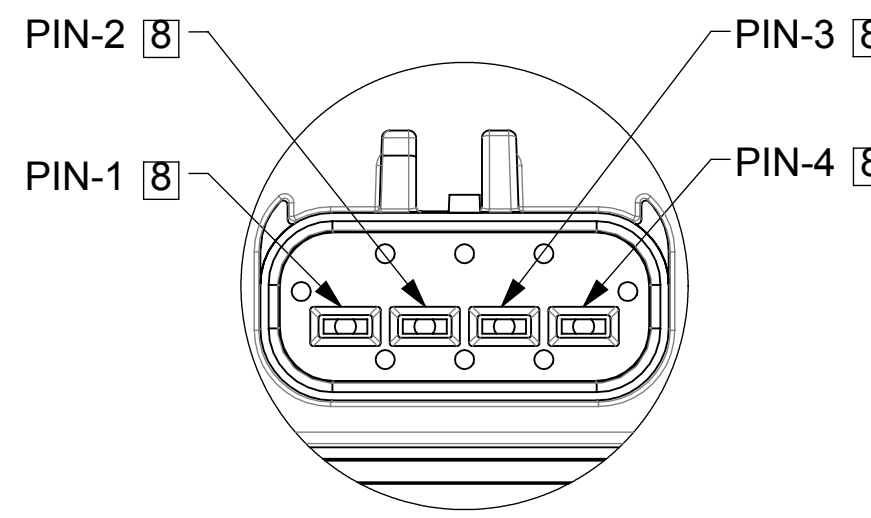
- 1. ASSOCIATED CAD FILE DEFINES ALL NON-DIMENSIONED FEATURES.
- 2. UNIT WEIGHT: 0.25 Kg.
- 3. FUSES SHOWN FOR REFERENCE ONLY. FOR MORE INFORMATION SEE FUSE TABLE.
- 4. TORQUE FOR M8 FASTENERS = 20N-m (14.75 Ft-Lb)
- 5. BOTTOM OF THE UNIT SHOULD NEVER FACE UP.
- 6. INSTALLATION TORQUE FOR PAN PHILIPS HEAD SCREW = 3.0 N-m (27 in-lb)
- 7. MAXIMUM APPLICABLE SCREW LENGTH = 13MM
- 8. PIN CALLOUT: REFER TO PIN CALLOUT TABLE FOR DETAILS.

| REVISIONS |      |   |           |          |
|-----------|------|---|-----------|----------|
| ZONE      | REV. | DESCRIPTION   | DATE      | APPROVED |
|           | A    | PER EC#515700: INITIAL RELEASE OUTLINE DRAWING  | 3/22/2016 | J. LIU   |
|           | B    | PER EC#516023: ADDED TWO DETAIL VIEWS, ADDED FUSE TABLE AND PIN CALLOUT TABLE, MODIFIED NOTES | 6/16/2016 | J. LIU   |



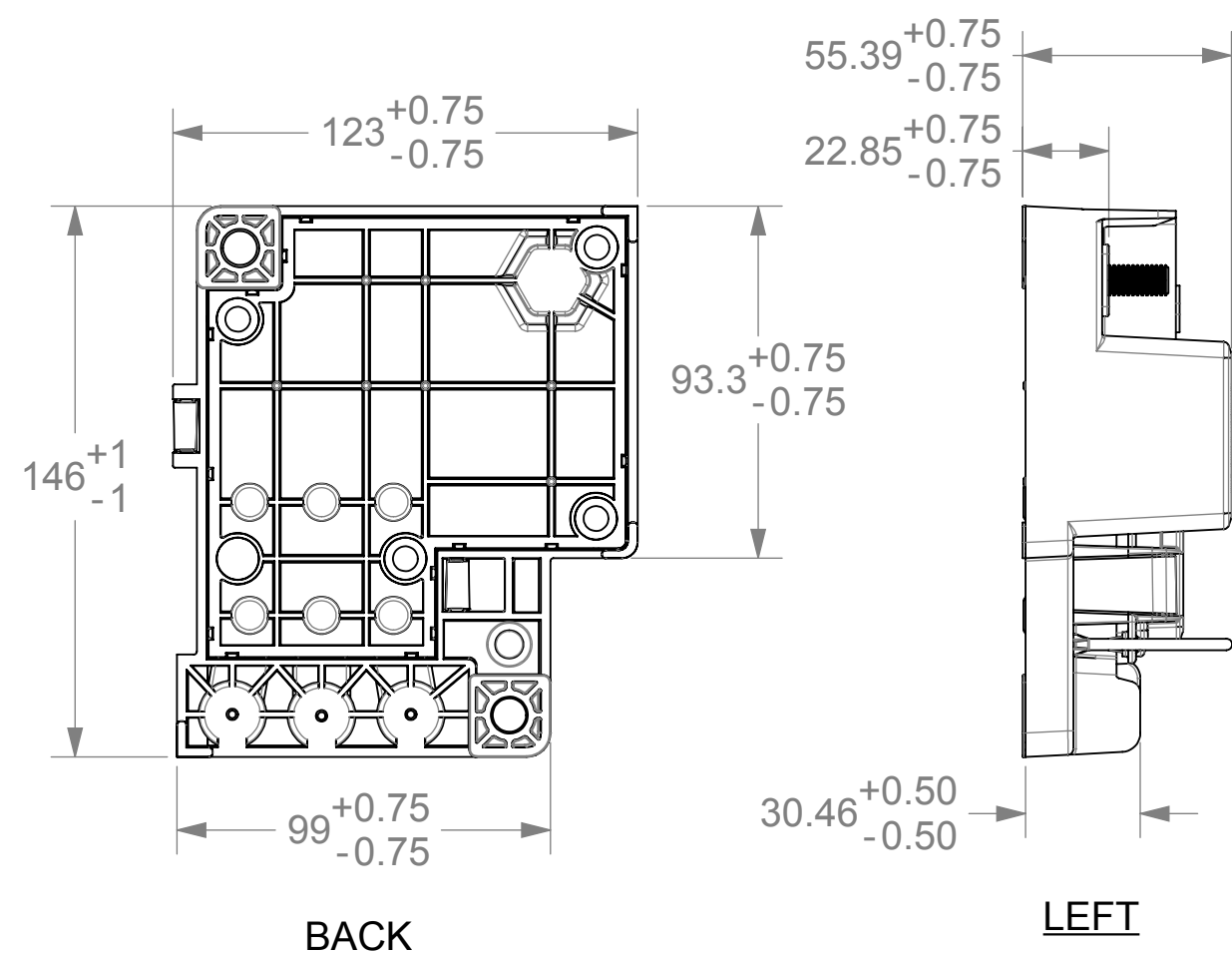
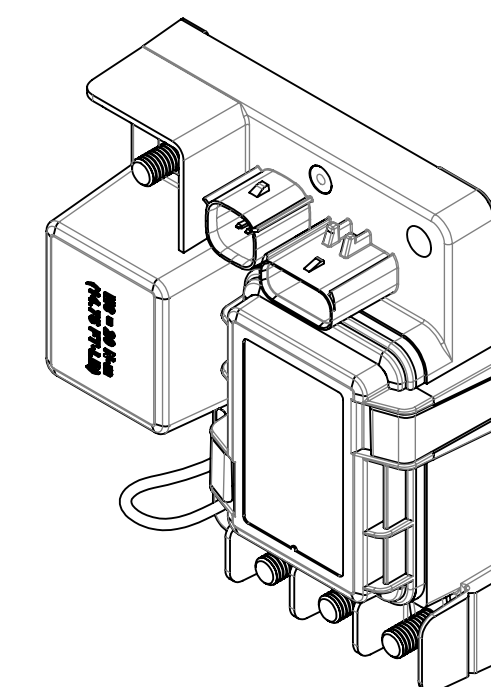
DETAIL A  
SCALE 2 : 1

CONNECTOR FOR PRIMARY SOLENOID CONTROL  
MATE WITH 23-13662-600



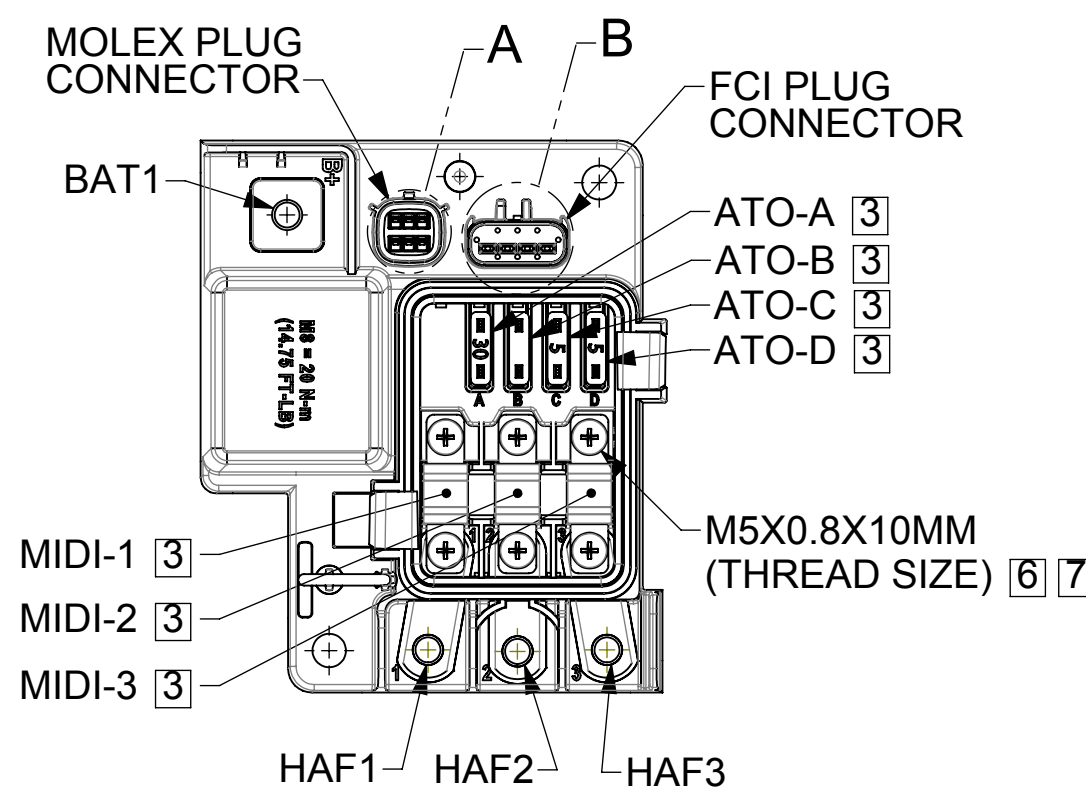
DETAIL B  
SCALE 2 : 1

CONNECTOR FOR KEEP ALIVE CIRCUIT  
MATE WITH 23-13153-410

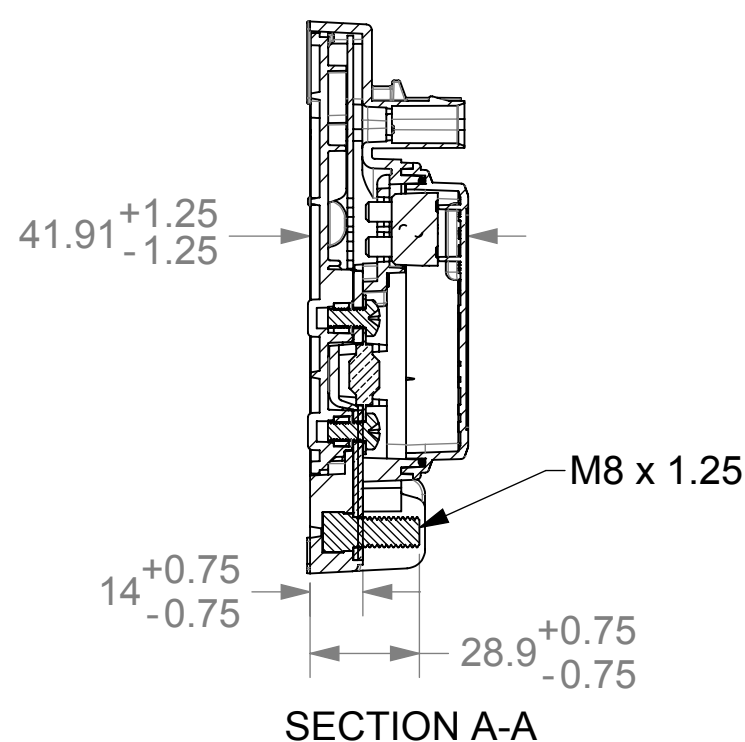
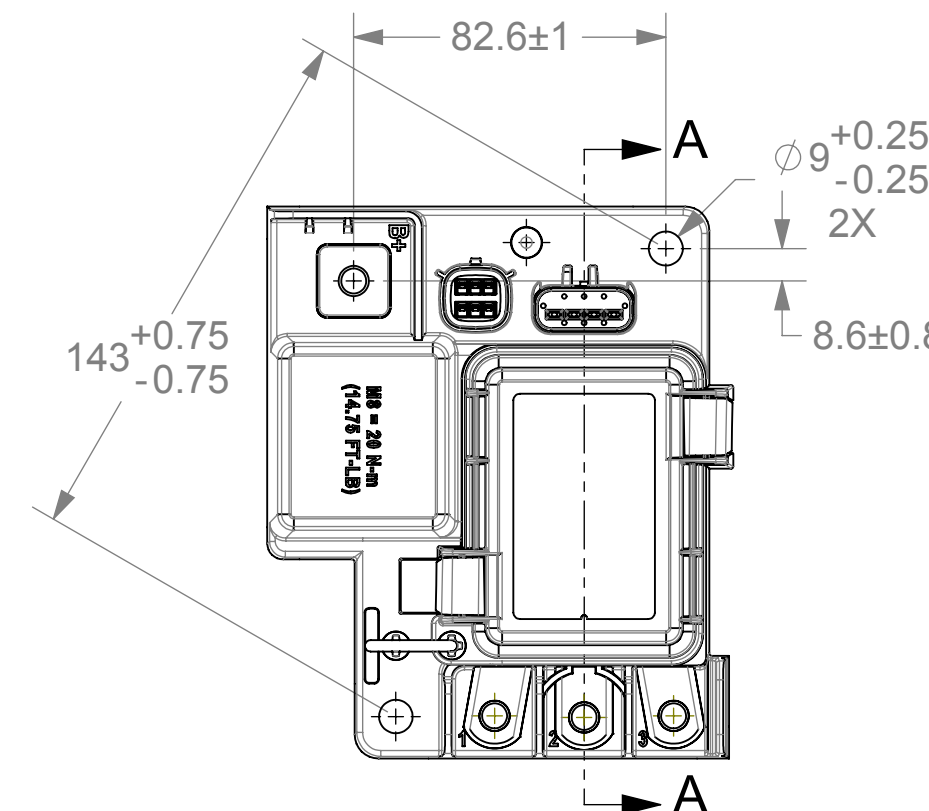


BACK

LEFT



COVER NOT SHOWN



SECTION A-A

| FUSE TABLE      |                  |                   |
|-----------------|------------------|-------------------|
| FUSE            | DESCRIPTION      | MAX. FUSE ALLOWED |
| ATO-A           | KEEP ALIVE POWER | 30 AMS            |
| ATO-B           | KEEP ALIVE POWER | 30 AMPS           |
| ATO-C           | KEEP ALIVE POWER | 30 AMPS           |
| ATO-D           | KEEP ALIVE POWER | 30 AMPS           |
| MIDI-1 (FUSE-1) | HIGH AMP FUSE    | 200 AMPS          |
| MIDI-2 (FUSE-2) | HIGH AMP FUSE    | 200 AMPS          |
| MIDI-3 (FUSE-3) | HIGH AMP FUSE    | 200 AMPS          |

| PIN CALLOUT TABLE |               |           |              |
|-------------------|---------------|-----------|--------------|
| 6-PIN MOLEX       |               | 4-PIN FCI |              |
| PIN #             | FUNCTION      | PIN #     | FUNCTION     |
| 1                 | GROUND        | 1         | OUTPUT ATO-A |
| 2                 | OFF SIGNAL    | 2         | OUTPUT ATO-B |
| 3                 | LED PULL DOWN | 3         | OUTPUT ATO-C |
| 4                 | SW POWER      | 4         | OUTPUT ATO-D |
| 5                 | SW INPUT      |           |              |
| 6                 | GROUND        |           |              |

DIMENSIONS ARE IN MM.  
DIMENSIONS AND TOLERANCES ARE DEFINED ACCORDING TO ANSI / ASME Y14.5M-1994

THIS DRAWING AND THE INFORMATION CONTAINED WITHIN IT ARE CONFIDENTIAL AND MAY NOT BE COPIED OR DISCLOSED WITHOUT THE WRITTEN PERMISSION OF LITTELFUSE.

|         |           |
|---------|-----------|
| NAME    | DATE      |
| J. LIU  | 3/22/2016 |
| CHECKED | -         |
| -       | -         |
| -       | -         |
| -       | -         |

THIRD ANGLE PROJECTION

**Littelfuse**  
Expertise Applied | Answers Delivered  
805 W. Orchard Dr., Ste. 6, Bellingham, WA 98225  
Phone (360)738-9010 Fax (360)738-0372

Power Dist Module SL

|      |           |      |
|------|-----------|------|
| SIZE | DWG. NO.  | REV. |
| C    | OL-880075 | B    |

SCALE 1:2 SHEET 1 OF 1

4

3

2

1