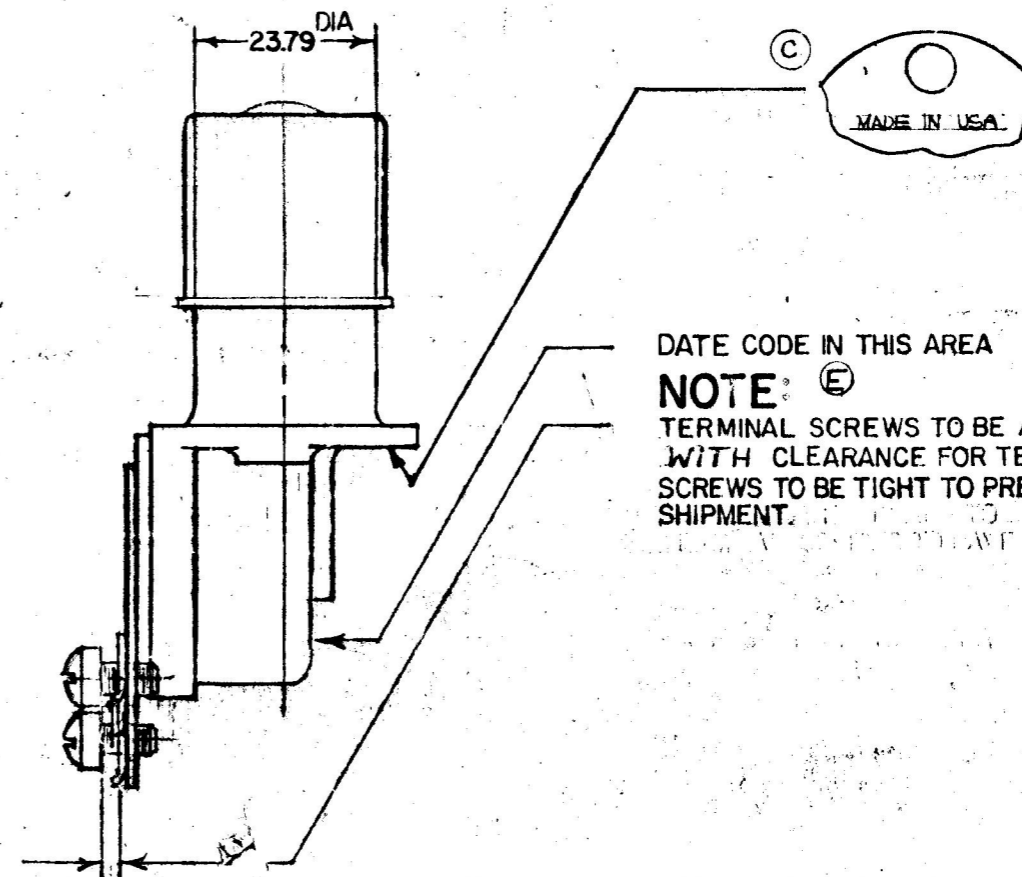
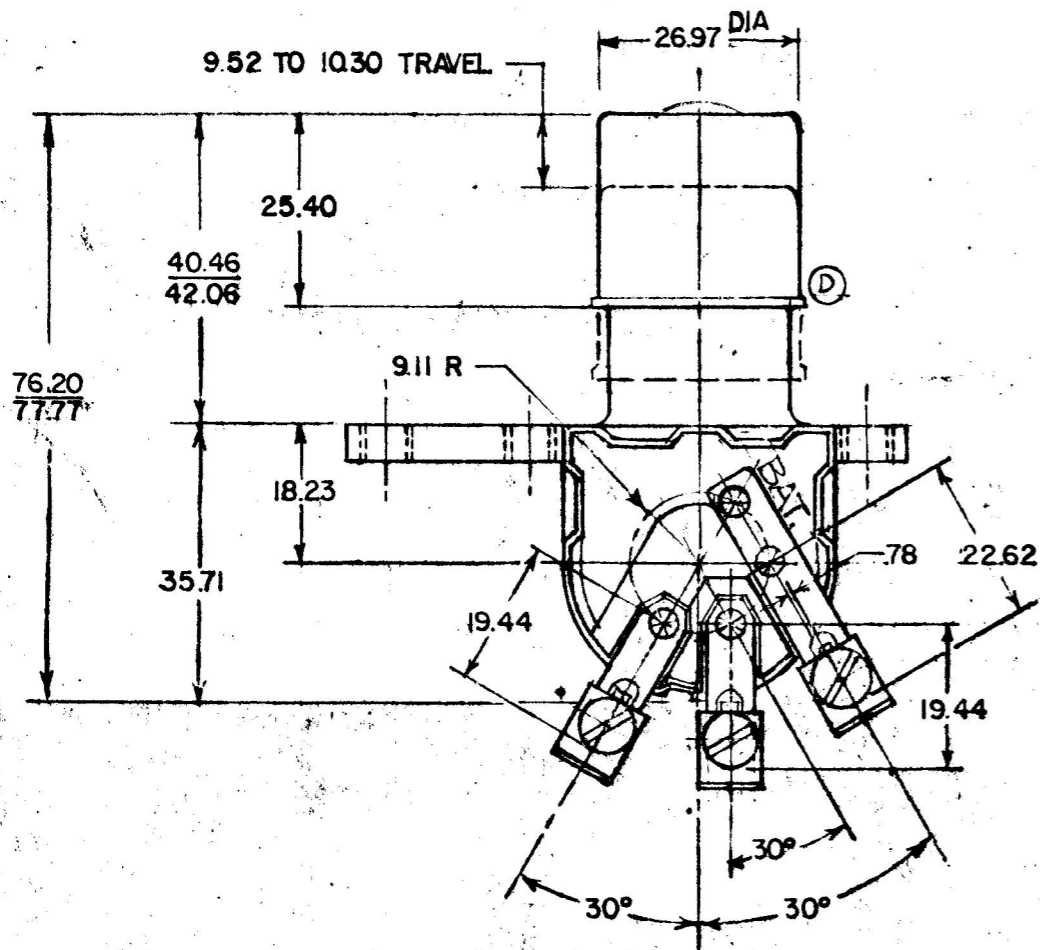
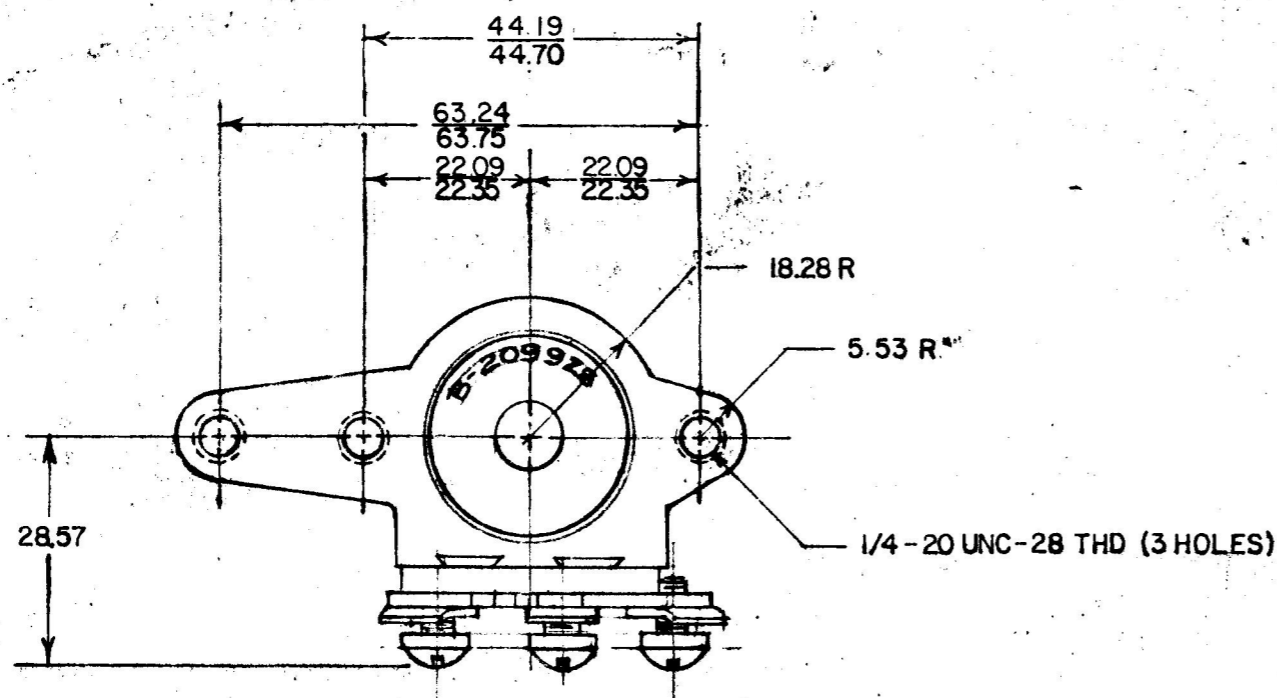


| M/M | IN |
|-------|-------|
| .78 | .031 |
| 1.64 | .064 |
| 3.18 | .125 |
| 4.75 | .188 |
| 6.35 | .250 |
| 7.92 | .312 |
| 9.52 | .375 |
| 11.18 | .438 |
| 12.80 | .500 |
| 14.43 | .562 |
| 16.09 | .625 |
| 17.75 | .688 |
| 19.41 | .750 |
| 21.07 | .812 |
| 22.72 | .875 |
| 24.38 | .938 |
| 26.04 | 1.000 |
| 27.70 | 1.062 |
| 29.36 | 1.125 |
| 31.02 | 1.188 |
| 32.68 | 1.250 |
| 34.34 | 1.312 |
| 36.00 | 1.375 |
| 37.66 | 1.438 |
| 39.32 | 1.500 |
| 40.98 | 1.562 |
| 42.64 | 1.625 |
| 44.30 | 1.688 |
| 45.96 | 1.750 |
| 47.62 | 1.812 |
| 49.28 | 1.875 |
| 50.94 | 1.938 |
| 52.60 | 2.000 |
| 54.26 | 2.062 |
| 55.92 | 2.125 |
| 57.58 | 2.188 |
| 59.24 | 2.250 |
| 60.90 | 2.312 |
| 62.56 | 2.375 |
| 64.22 | 2.438 |
| 65.88 | 2.500 |
| 67.54 | 2.562 |
| 69.20 | 2.625 |
| 70.86 | 2.688 |
| 72.52 | 2.750 |
| 74.18 | 2.812 |
| 75.84 | 2.875 |
| 77.50 | 2.938 |
| 79.16 | 3.000 |
| 80.82 | 3.062 |

COLE-HERSEE CO.

NFM 6-B-77



DATE CODE IN THIS AREA

NOTE: (E)
 TERMINAL SCREWS TO BE ASSEMBLED WITH CLEARANCE FOR TERMINAL LOCKWASHER ASSEMBLY. SCREWS TO BE TIGHT TO PREVENT CHANGING POSITION IN SHIPMENT.

METRIC

ORDNANCE NO. R-209928

DO NOT SCALE

| LET | WAS | DATE | BY | LET | WAS | DATE | BY | MATERIAL | DRAWN | CHECKED | APPR'D. | SCALE | DATE DRAWN |
|-----|-----|------|----|-----|--------|---------|----|--------------|-----------------------------|---------|---------|-------|----------------|
| | | | | | | | | | RMT | 3-30-78 | | 1:1 | 3-23-77 |
| | | | | E | NEWSEN | 2-4-77 | | FINISH | COLE-HERSEE COMPANY | | | | DATE BLUEPRINT |
| | | | | D | REV | 2-4-77 | | | BOSTON, MASS. 02127, U.S.A. | | | | |
| | | | | C | | 1-3-79 | | TOLERANCES | DIMMER SWITCH | | | | 7786 |
| | | | | B | REDMAN | 3-30-78 | | FRACTIONAL ± | | | | | |
| | | | | | | | | DECIMAL ± | | | | | |