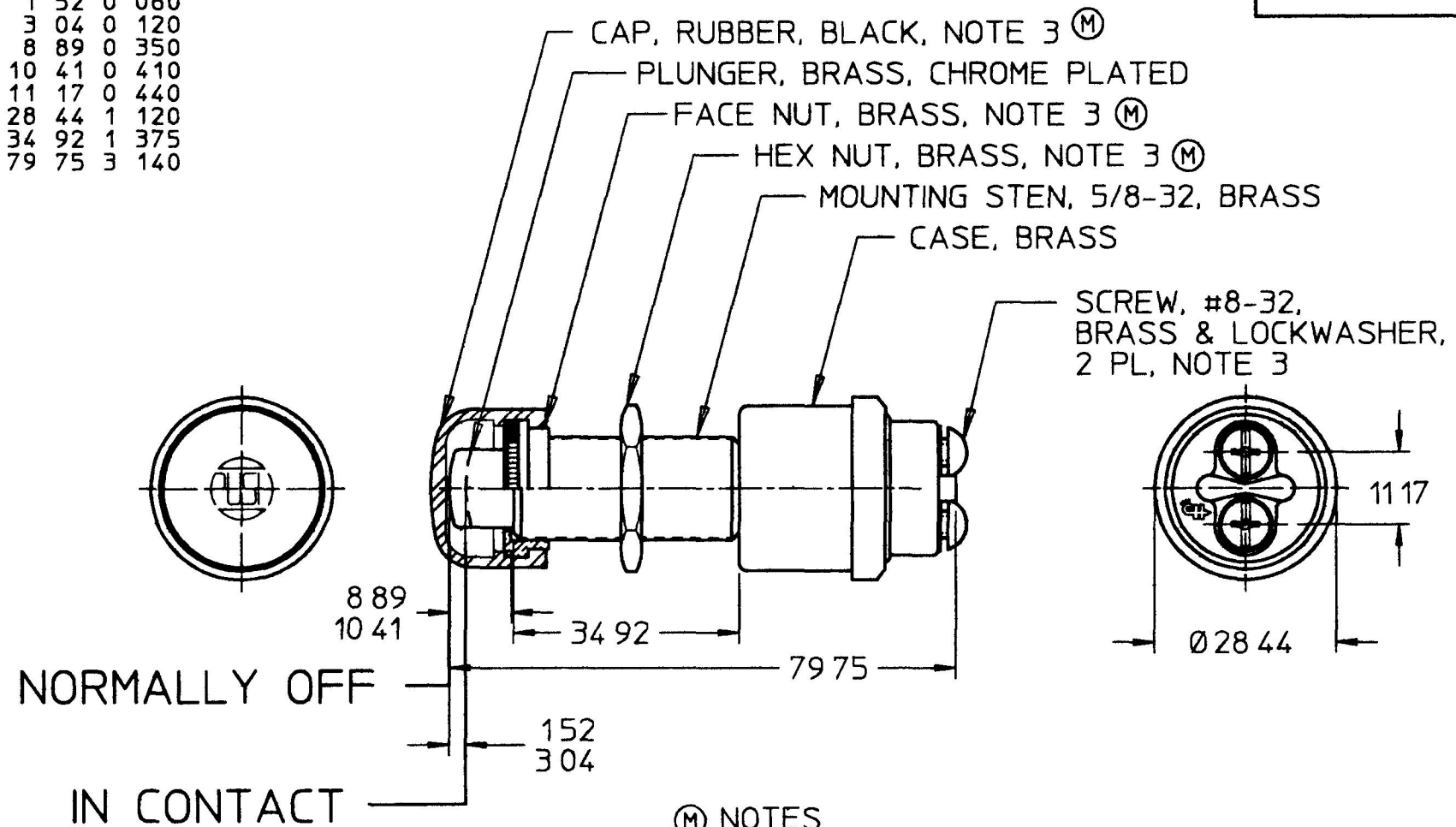


M626

MM	IN
1 52 0 060	
3 04 0 120	
8 89 0 350	
10 41 0 410	
11 17 0 440	
28 44 1 120	
34 92 1 375	
79 75 3 140	



- (M) NOTES
- 1 ALL DIMENSIONS ARE REFERENCE ONLY
 - 2 RATING
12V DC 35 AMPS
24V DC 20 AMPS
 - 3 PARTS MAY BE ASSEMBLED OR SUPPLIED IN A PLASTIC BAG

METRIC

DO NOT SCALE

LET	WAS	DATE	BY	LET	WAS	DATE	BY	MATERIAL	DRAWN	CHK	APVD	SCALE	DATE DRAWN
									PLB	JMP		11	12/27/56
								FINISH	Cole Hersee Co. 20 OLD COLONY AVENUE, BOSTON, MA, U.S.A. 02127			DATE BLUEPRINTED	
				M	ECN #26836 BAGGED PARTS	7/25/97	AJS	TOLERANCES	SW, P-P, MOM			M626	
				L	PUT ON CAD	7/26/96	DPS	DECIMAL ± ANGLE ±					