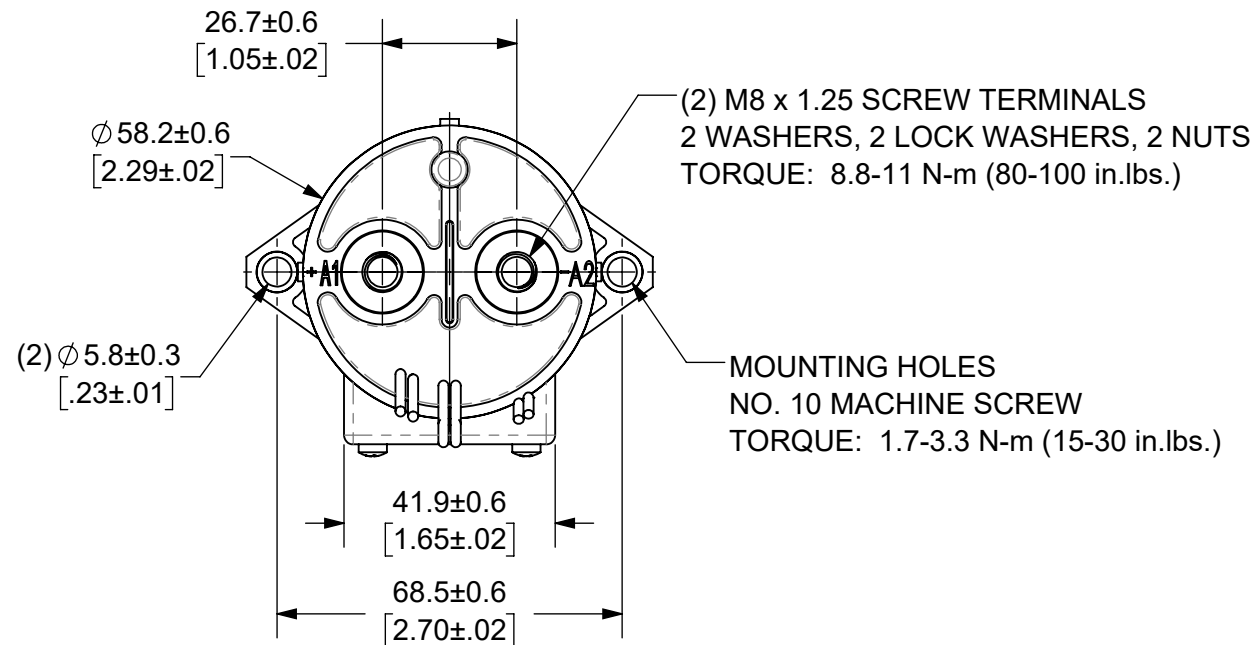


THIS DRAWING AND THE INFORMATION CONTAINED WITHIN IT ARE CONFIDENTIAL AND MAY NOT BE COPIED OR DISCLOSED WITHOUT THE WRITTEN PERMISSION OF LITTELFUSE.

REVISIONS				
ZONE	REV.	DESCRIPTION	DATE	APPROVED
	A	INITIAL RELEASE. GCF 500000021760	12/13/2019	DGK



(2) M8 x 1.25 SCREW TERMINALS
2 WASHERS, 2 LOCK WASHERS, 2 NUTS
TORQUE: 8.8-11 N-m (80-100 in.lbs.)

MOUNTING HOLES
NO. 10 MACHINE SCREW
TORQUE: 1.7-3.3 N-m (15-30 in.lbs.)

NOTES: UNLESS OTHERWISE SPECIFIED

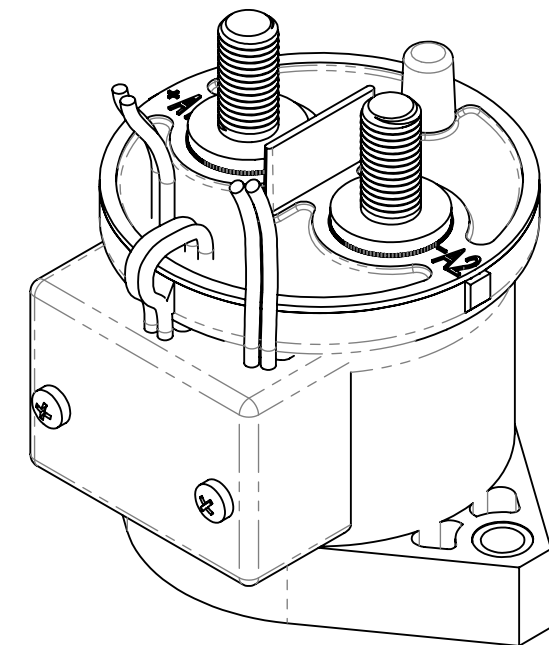
- CONTACT ARRANGEMENT: SPST-NC
- CONTINUOUS CURRENT RATING: 250 AMPS
- CONTACT VOLTAGE RATING: 12 - 900 VDC
- CONTACT TERMINALS POLARIZED
- HARDWARE: 2 - M8 NUTS, 2 - M8 LOCKWASHERS, 2 - M8 FLAT WASHERS
- WEIGHT: 430 GRAMS (15 OZ.)
- CERTIFICATIONS:



UL RECOGNIZED FOR CANADA AND THE UNITED STATES.

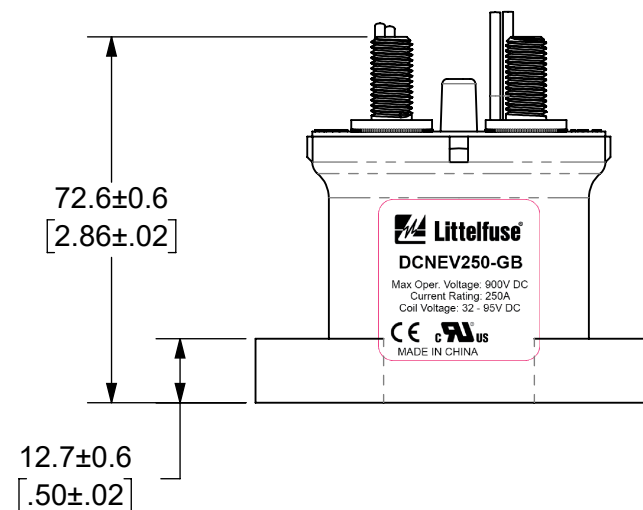
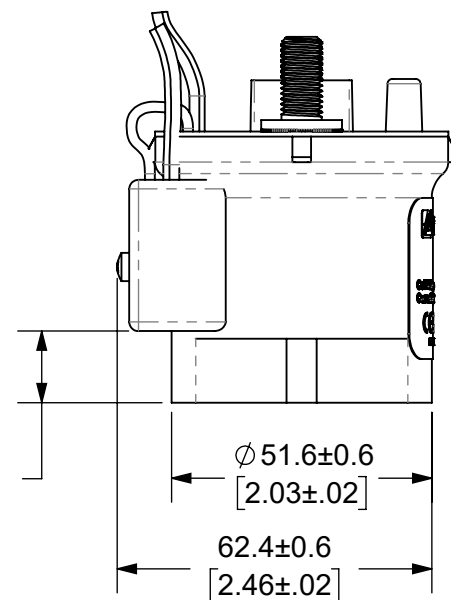
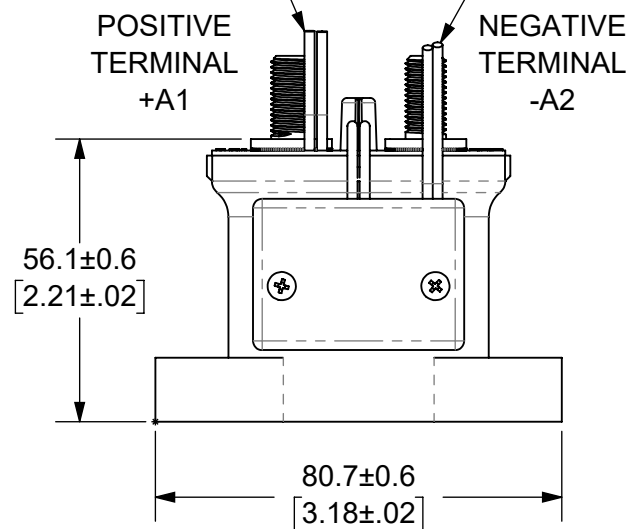
EUROPEAN ECONOMIC AREA RECOGNIZED.

- RoHS COMPLIANT
- AUXILIARY CONTACT RATING, SPST-NC:
2A @ 30VDC
3A @ 125VDC



AUXILIARY CONTACT,
SPST-NC
WHITE WIRES
LENGTH: 390±10 [15.4±.4]

COIL WIRES
RED (+), BLACK (-)
LENGTH: 390±10 [15.4±.4]



ENGINEERING DESIGN DATA

COIL DATA							SHORT CIRCUIT	DIELECTRIC VOLTAGE	ELECTRICAL LIFE
COIL VOLTAGE (VDC)	NOMINAL POWER (WATTS)	PICK-UP VOLTAGE (VDC)	DROP-OUT VOLTAGE (VDC)	MAX. VOLTAGE (VDC)	INRUSH CURRENT (MAX)	HOLDING CURRENT	MAX @ 320 VDC	(VRMS)	250A @ 450VDC (CYCLES)
48-72	1.5	32	18	95	1.3A	0.03A@48VDC	2,000 A	2,200	5,000

INTERPRET DRAWING TO ANSI/ASME Y14.5-1994.		
●	FIT/ FUNCTION	CRITICAL CHARACTERISTICS SYMBOL
<S>	SAFETY/ COMPLIANCE	CRITICAL CHARACTERISTICS SYMBOL
CPK	DENOTES CPK DIMENSIONS MINIMUM CPK VALUE	
ST	DENOTES A CHARACTERISTIC THAT PROVIDES AN INDICATION OF PROCESS PERFORMANCE PROCEDURE FOR MEASUREMENT AND TRACKING TO BE DEFINED IN LITTELFUSE INSPECTION INSTRUCTIONS	
CP	DENOTES CP DIMENSIONS. -MINIMUM CP VALUE MUST BE WITHIN THE DIMENSIONAL LIMITATIONS SHOWN ON DRAWING AND INITIALLY LOCATED TO ALLOW FOR MAXIMUM TOOL LIFE	
DIMENSION: MM TOLERANCES UNLESS OTHERWISE SPECIFIED ONE PLACE DECIMAL ± 0.5 THREE PLACES DECIMAL ± 0.100 TWO PLACES DECIMAL ± 0.20 ANGULAR ± 2°		
DRAWN	NAME	DATE
DGK	DGK	11/25/2019
CHECKED	AH	12/13/2019
<p>Expertise Applied Answers Delivered</p>		
FORM NO: CVP-PE40-0004 REV A		
THIRD ANGLE PROJECTION		
DO NOT SCALE DRAWING		
TITLE		REV.
DC CONTACTOR, 250 AMP 48-72 VDC, AUX. CONTACT		A
SIZE	DWG. NO.	OUTLINE
B	OL-DCNEV250-GB	A
SCALE 2:3		SHEET 1 OF 1