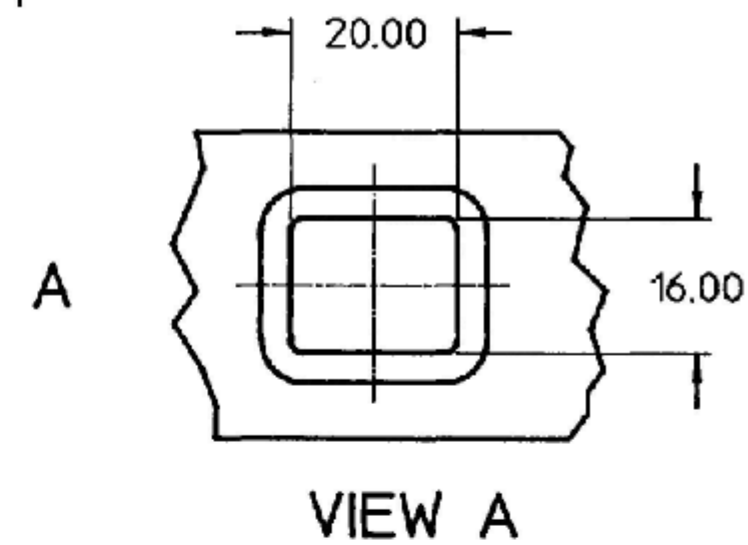
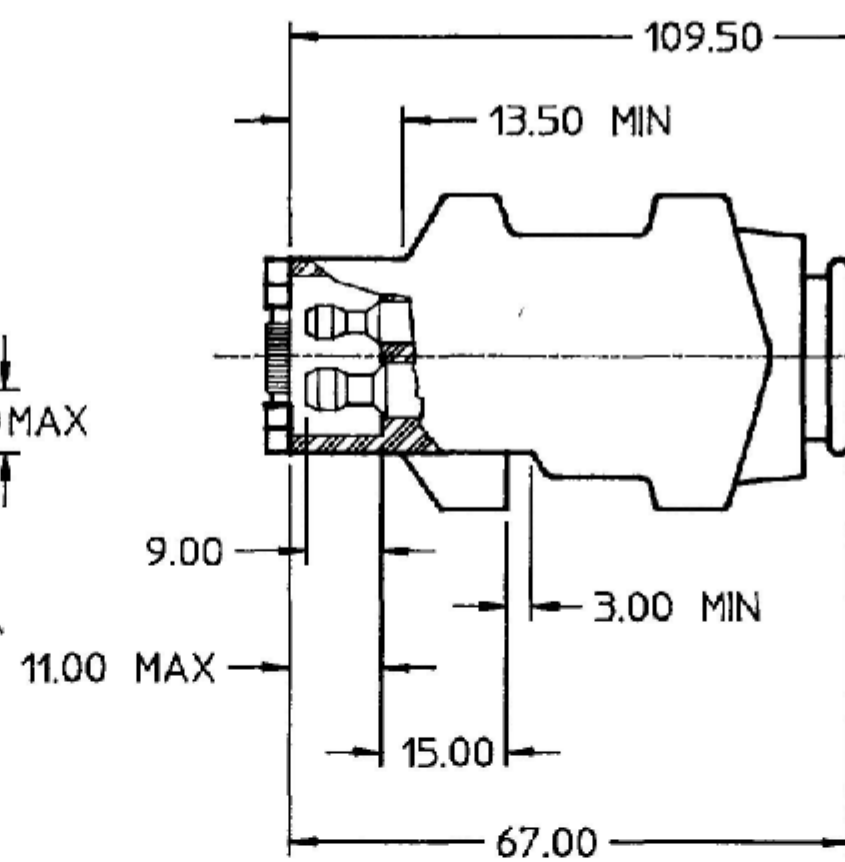
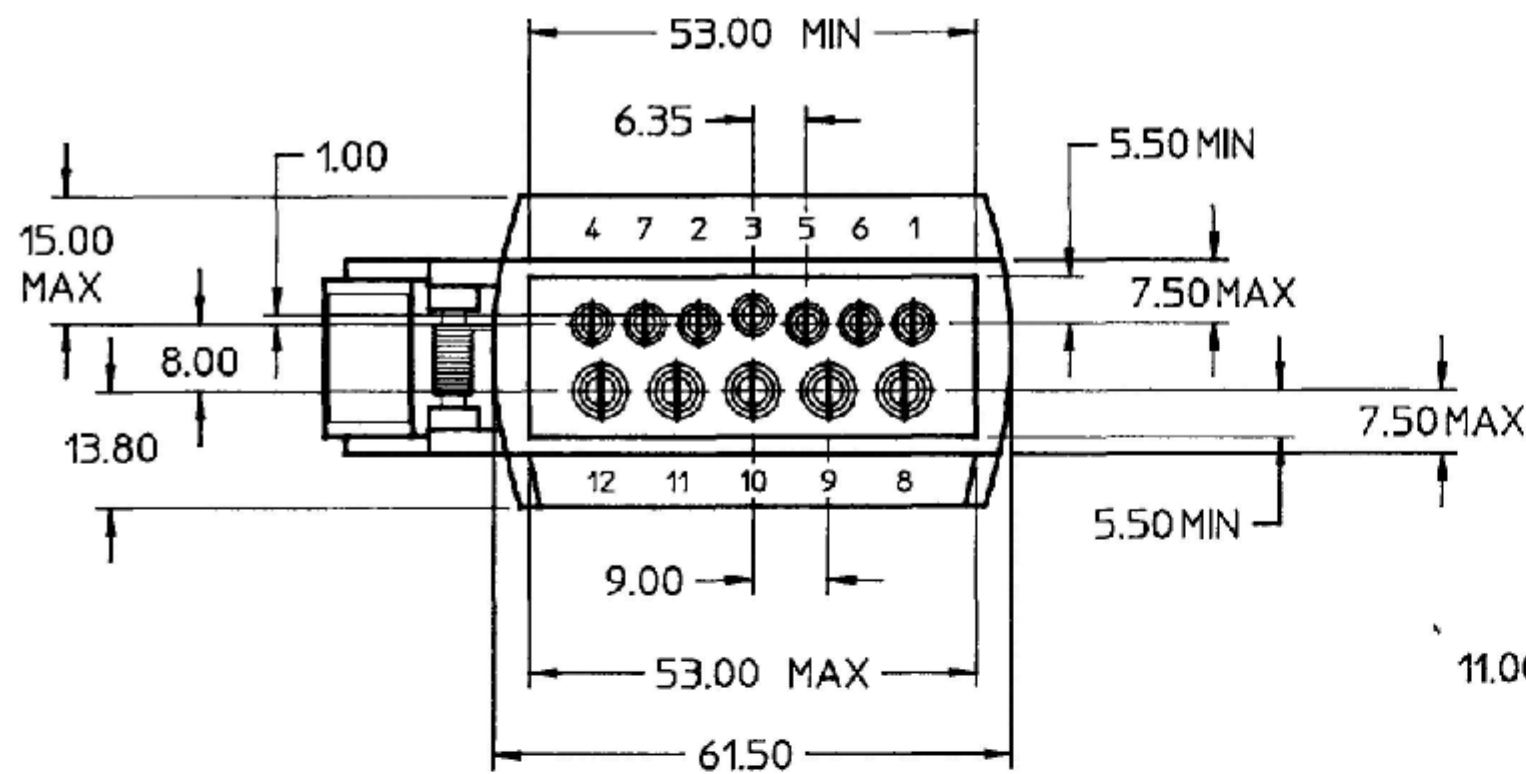
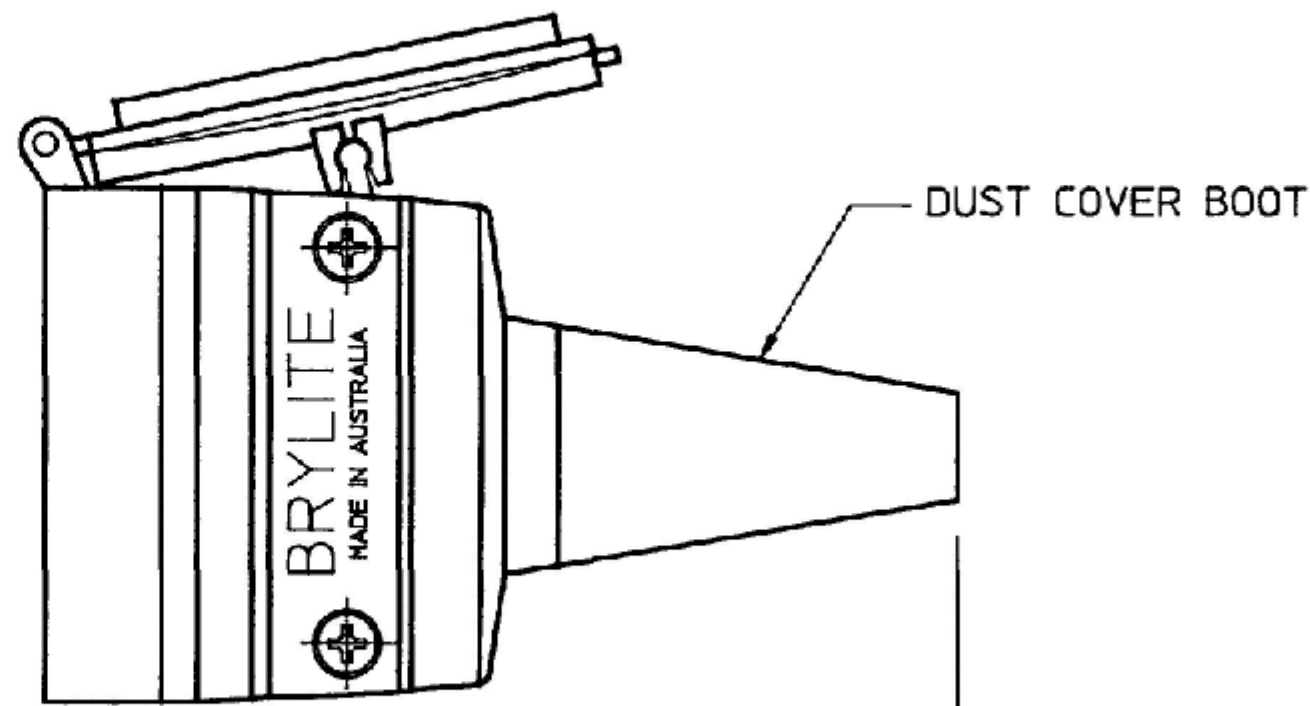


REVISIONS				
ZONE	REV.	DESCRIPTION	DATE	APPROVED
	A	PER EC #520040 ADD NOTE 3; ADD TO LF TEMPLATE	10/19/2018	C. MILLER

MM	IN
1.00	0.039
3.00	0.118
5.50	0.216
6.35	0.250
7.50	0.295
8.00	0.315
9.00	0.354
11.00	0.433
13.50	0.531
13.80	0.543
15.00	0.590
16.00	0.630
20.00	0.787
53.00	2.086
61.50	2.421
67.00	2.630
109.50	4.300
2.0 mm ²	14 GA
7.5 mm ²	8 GA



- NOTES:
 1. PINS 8 THRU. 12 ACCEPT 7.5 mm² WIRE
 PINS 1 THRU. 7 ACCEPT 2.0 mm² WIRE
 2. ALL DIMENSIONS ARE REFERENCE ONLY
 3. TORQUE SETTING: 0.4Nm (+/- 0.1Nm)

DIMENSIONS ARE SHOWN IN MILLIMETERS. DIMENSIONS AND TOLERANCES ARE DEFINED ACCORDING TO ANSI/ASME Y14.5-1994.	
●	FIT FUNCTION CRITICAL CHARACTERISTICS SYMBOL
<S>	SAFETY/ COMPLIANCE CRITICAL CHARACTERISTICS SYMBOL
CPK	DENOTES CPK DIMENSIONS MINIMUM CPK VALUE
(ST)	DENOTES A CHARACTERISTIC THAT PROVIDES AN INDICATION OF PROCESS PERFORMANCE PROCEDURE FOR MEASUREMENT AND TRACKING TO BE DEFINED IN LITTELFUSE INSPECTION INSTRUCTIONS
CP	DENOTES CP DIMENSIONS. MINIMUM CP VALUE MUST BE WITHIN THE DIMENSIONAL LIMITATIONS SHOWN ON DRAWING AND INITIALLY LOCATED TO ALLOW FOR MAXIMUM TOOL LIFE
DIMENSION: MM TOLERANCES UNLESS OTHERWISE SPECIFIED ONE PLACE DECIMAL ± 0.5 THREE PLACES DECIMAL ± 0.100 TWO PLACES DECIMAL ± 0.20 ANGULAR ± 2°	
DRAWN	C. MILLER 10/19/18
CHECKED	E. Fernandez
Littelfuse Expertise Applied Answers Delivered	
FORM NO: CVP-PE40-0006 REV A	
THIRD ANGLE PROJECTION	
SIZE	C
DWG. NO.	12501
REV.	A
DO NOT SCALE DRAWING	SCALE 1:2
SHEET 1 OF 1	

F
E
D
C
B
A

F
E
D
C
B
A