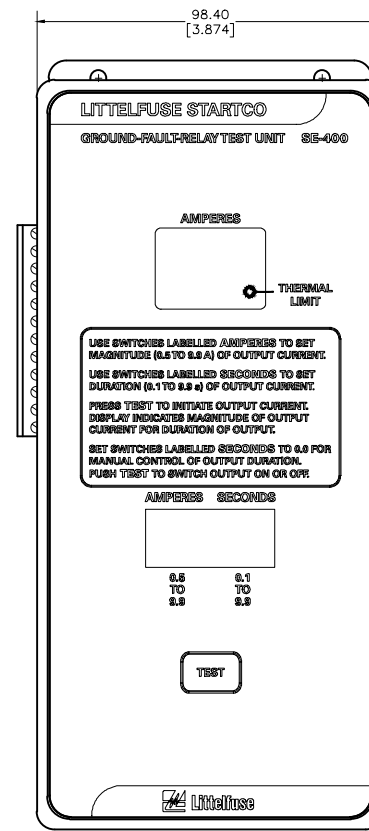
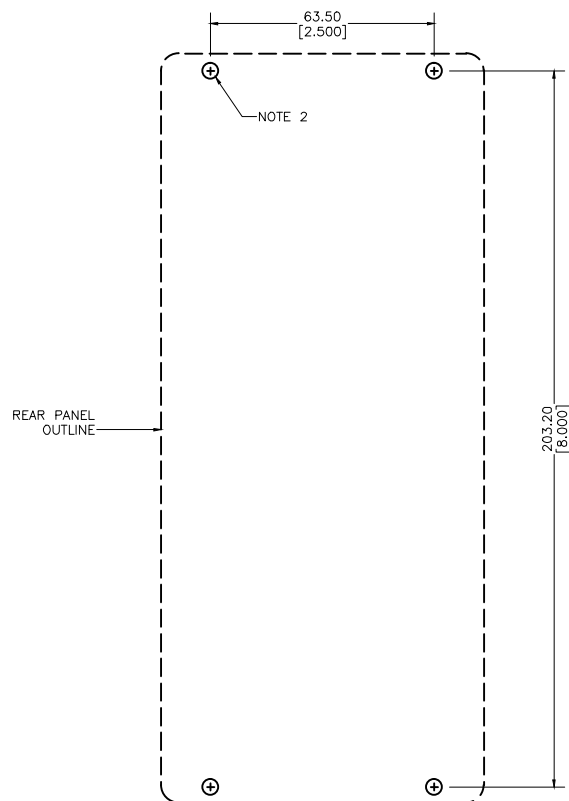


LEFT SIDE

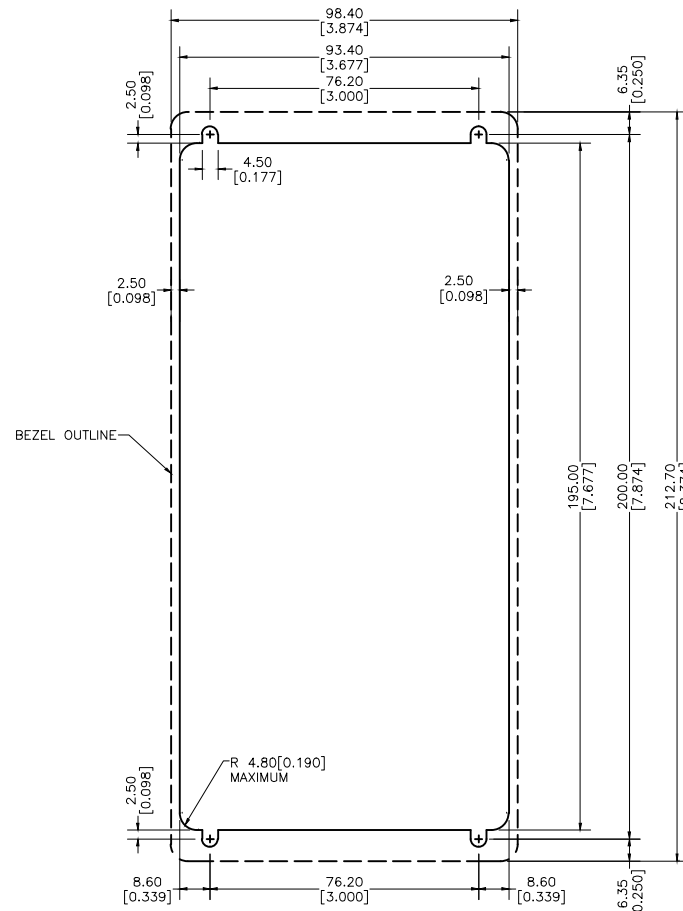


FRONT VIEW


- NOTES:
1. DIMENSION IN MILLIMETERS [INCHES]
 2. MOUNTING SCREWS: M4 x 10 OR 8-32 x 0.375.



SURFACE MOUNT



PANEL MOUNT

ORIGINAL ISSUE	0	JZ	23OCT13
REVISION	NO.	BY	DATE
 Littelfuse STARTCO SASKATOON, CANADA			
SE-400			
<small>The information and know-how shown on this drawing are the property of Startco Engineering ULC and may not be copied or reproduced without the written permission of Startco Engineering ULC nor may they be used in any manner directly or indirectly detrimental to the interest of Startco Engineering ULC.</small>			
PURCHASER _____			
PROJECT IDENT. _____			
PURCHASE ORDER NO. _____			
EQUIPMENT NO. _____			
REFERENCE DWG. NO. _____			
DES D. J.DUDIAK		CKD.	
DWN. J.ZIELKE		APD.	
PROJECT NO.	SCALE		
DWG. NO.	REV.		