

AC Controller Modules

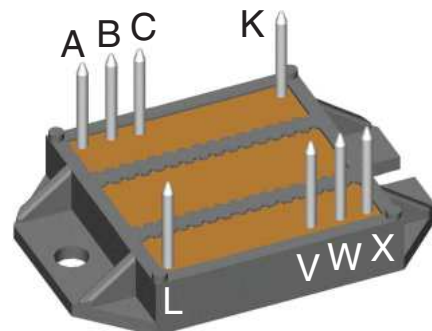
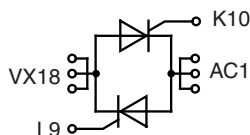
ECO-PAC 2

$$I_{RMS} = 230 \text{ A}$$

$$I_{TAVM} = 105 \text{ A}$$

$$V_{RRM} = 1200/1600 \text{ V}$$

| V_{RSM} | V_{RRM} | Typ |
|-----------|-----------|---------------|
| V_{DSM} | V_{DRM} | |
| V | V | |
| 1300 | 1200 | MMO 230-12io7 |
| 1700 | 1600 | MMO 230-16io7 |



Preliminary Data

| Symbol | Conditions | Maximum Ratings | | |
|----------------|--|-----------------------------------|------------------|------------------|
| I_{RMS} | $T_C = 85^\circ\text{C}$; 50-400 Hz (per single controller) | 230 | A | |
| I_{TRMS} | | 180 | A | |
| I_{TAVM} | $T_C = 85^\circ\text{C}$; 180° sine | 105 | A | |
| I_{TSM} | $T_{VJ} = 45^\circ\text{C}$; $t = 10 \text{ ms}$ (50 Hz) | 2250 | A | |
| | $V_R = 0$; $t = 8.3 \text{ ms}$ (60 Hz) | 2400 | A | |
| I^2t | $T_{VJ} = 125^\circ\text{C}$; $t = 10 \text{ ms}$ (50 Hz) | 2000 | A | |
| | $V_R = 0$; $t = 8.3 \text{ ms}$ (60 Hz) | 2150 | A | |
| $(di/dt)_{cr}$ | $T_{VJ} = 45^\circ\text{C}$; $t = 10 \text{ ms}$ (50 Hz) | 25 300 | A ² s | |
| | $V_R = 0$; $t = 8.3 \text{ ms}$ (60 Hz) | 23 900 | A ² s | |
| | $T_{VJ} = 125^\circ\text{C}$; $t = 10 \text{ ms}$ (50 Hz) | 20 000 | A ² s | |
| $(dv/dt)_{cr}$ | $V_R = 0$; $t = 8.3 \text{ ms}$ (60 Hz) | 19 100 | A ² s | |
| | $T_{VJ} = 125^\circ\text{C}$; $f = 50 \text{ Hz}$; $t_p = 200 \mu\text{s}$; $V_D = \frac{2}{3} V_{DRM}$; $I_G = 0.45 \text{ A}$; $di_G/dt = 0.45 \text{ A}/\mu\text{s}$ | repetitive, $I_T = 250 \text{ A}$ | 150 | A/ μs |
| $(dv/dt)_{cr}$ | $T_{VJ} = 125^\circ\text{C}$; $V_D = \frac{2}{3} V_{DRM}$; $R_{GK} = \infty$; method 1 (linear voltage rise) | non repetitive, $I_T = I_{TAVM}$ | 500 | A/ μs |
| | $T_{VJ} = 125^\circ\text{C}$; $t_p = 30 \text{ ms}$ | ≤ 10 | W | |
| P_{GM} | $I_T = I_{T(AV)M}$; $t_p = 300 \text{ ms}$ | ≤ 5 | W | |
| P_{GAVM} | | 0.5 | W | |
| V_{RGM} | | 10 | V | |
| T_{VJ} | | -40...+125 | °C | |
| T_{VJM} | for 10 sec. | 125 | °C | |
| T_{stg} | | -40...+125 | °C | |
| V_{ISOL} | 50/60 Hz, RMS; $t = 1 \text{ min}$ | 3000 | V~ | |
| | $I_{ISOL} \leq 1 \text{ mA}$; $t = 1 \text{ s}$ | 3600 | V~ | |
| M_d | Mounting torque (M4) | 1.5 - 2.0 | Nm | |
| | | 14 - 18 | lb.in. | |
| Weight | Typical including screws | 26 | g | |

Features

- Thyristor controller for AC (circuit W1C acc. to IEC) for mains frequency
- Isolation voltage 3000 V~
- Planar glass passivated chips
- Low forward voltage drop
- Leads suitable for PC board soldering

Applications

- Switching and control of single and three phase AC circuits
- Light and temperature control
- Softstart AC motor controller
- Solid state switches

Advantages

- Easy to mount with two screws
- Space and weight savings
- Improved temperature and power cycling
- High power density
- Small and light weight

Data according to IEC 60747 and refer to a single diode unless otherwise stated.

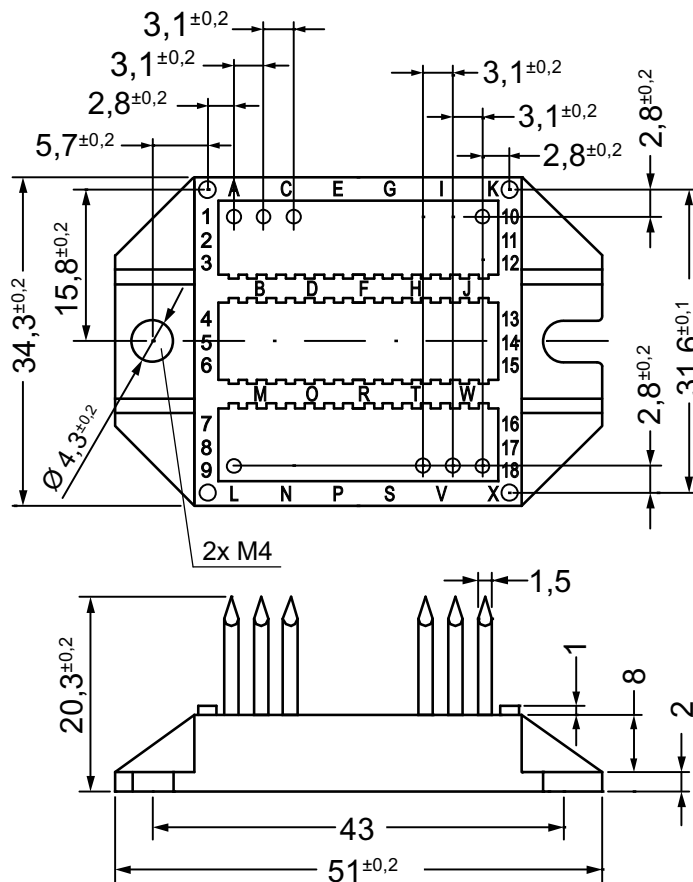
Disclaimer Notice

Information furnished is believed to be accurate and reliable. However, users should independently evaluate the suitability of and test each product selected for their own applications. Littelfuse products are not designed for, and may not be used in, all applications. Read complete Disclaimer Notice Disclaimer Notice at www.littelfuse.com/disclaimer-electronics.

IXYS reserves the right to change limits, test conditions and dimensions.

20200120c

| Symbol | Conditions | Characteristic Values | |
|------------|---|-----------------------|---------------------------|
| | | typ. | max. |
| I_D, I_R | $V_R / V_D = V_{RRM} / V_{DRM}$ $T_{VJ} = 125^\circ\text{C}$ | | 5 mA |
| V_T | $I_T = 300\text{ A}$ $T_{VJ} = 25^\circ\text{C}$ | | 1.5 V |
| V_{T0} | For power-loss calculations only | | 0.8 V |
| r_t | | | 2.4 mΩ |
| V_{GT} | $V_D = 6\text{ V}$ $T_{VJ} = 25^\circ\text{C}$ | | 1.5 V |
| I_{GT} | $V_D = 6\text{ V}$ $T_{VJ} = -40^\circ\text{C}$ $T_{VJ} = 25^\circ\text{C}$ $T_{VJ} = -40^\circ\text{C}$ | | 1.6 V 150 mA 200 mA |
| V_{GD} | $V_D = \frac{2}{3} V_{DRM}$ $T_{VJ} = 125^\circ\text{C}$ | | 0.2 V |
| I_{GD} | | | 10 mA |
| I_L | $t_p = 10\ \mu\text{s}$; $I_G = 0.45\text{ A}$; $di_G/dt = 0.45\text{ A}/\mu\text{s}$ $T_{VJ} = 25^\circ\text{C}$ | | 450 mA |
| I_H | $V_D = 6\text{ V}$; $R_{GK} = \infty$; $T_{VJ} = 25^\circ\text{C}$ | | 200 mA |
| t_{gd} | $V_D = \frac{1}{2} V_{DRM}$; $I_G = 0.45\text{ A}$; $di_G/dt = 0.45\text{ A}/\mu\text{s}$ $T_{VJ} = 25^\circ\text{C}$ | | 2 μs |
| R_{thJC} | per thyristor; DC current | | 0.26 K/W |
| R_{thCH} | | 0.20 | K/W |
| R_{thJC} | per module | | 0.13 K/W |
| R_{thCH} | | 0.10 | K/W |
| d_s | Creeping distance on surface | | 11.2 mm |
| d_A | Creepage distance in air | | 17.0 mm |
| a | Maximum allowable acceleration | | 50 m/s ² |



Dimensions in mm (1 mm = 0.0394")