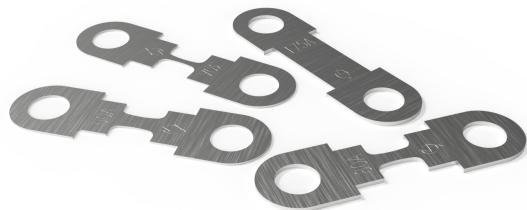


# HSB

Rated 32 V



## Specifications

|   |                   |
|---|-------------------|
| <b>Voltage Rating:</b>                        | 32 V DC           |
| <b>Interrupting Rating:</b>                   | 1000 A @ 32 VDC   |
| <b>Recommended Environmental Temperature:</b> | -40 °C to +125 °C |
| <b>Material:</b>                              | Zinc Alloy        |
| <b>Torque Bolt M6:</b>                        | 4 Nm +/- 1 Nm     |

## Description

These fuses protect wires in diesel vehicles. Do not install the high-current automotive fuses in EVs or gasoline-fueled vehicles. Buy fuse holders separately.

## Features & Benefits

- Ring-type lugs ensure secure mounting
- Time- delayed
- Available with ratings of 30 A to 175 A
- Zinc alloy elements and connectors

## Applications

- Diesel vehicles

## Ordering Information

| Part Number   | Package Size |
|---------------|--------------|
| 156.5677.xxx1 | 100          |
| 156.5677.xxx2 | 10000        |

# HSB

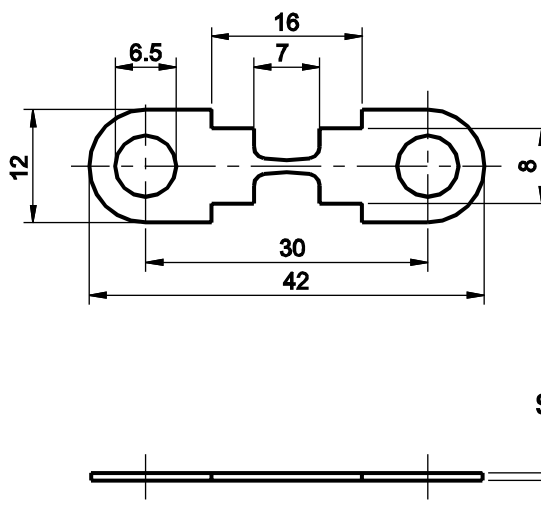
Rated 32 V

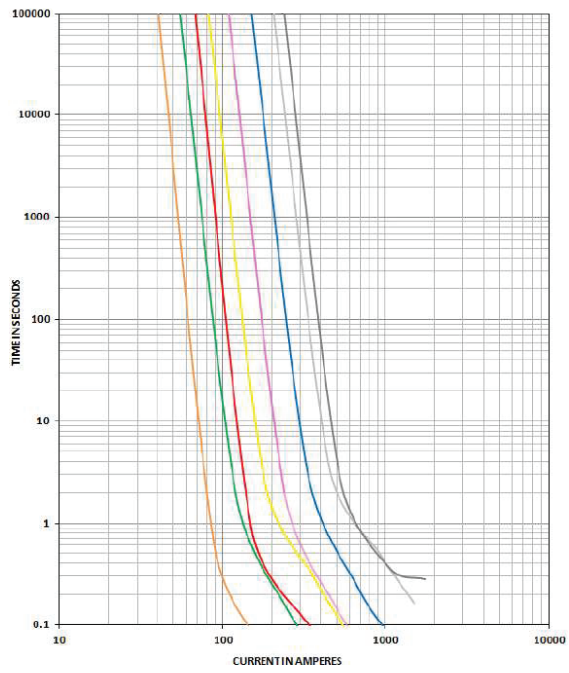
## Ratings

| Part Number   | Current Rating (A) | Typ. Voltage Drop (mV) | Cold Resistance (mΩ) | I <sup>2</sup> t (A <sup>2</sup> s) | Material Thickness "S" (mm) |
|---------------|--------------------|------------------------|----------------------|-------------------------------------|-----------------------------|
| 156.5677.530_ | 30                 | 44                     | 1.33                 | 3800                                | 0.4                         |
| 156.5677.540_ | 40                 | 40                     | 0.89                 | 11200                               | 0.4                         |
| 156.5677.550_ | 50                 | 44                     | 0.72                 | 21300                               | 0.4                         |
| 156.5677.560_ | 60                 | 38                     | 0.58                 | 41400                               | 0.4                         |
| 156.5677.580_ | 80                 | 40                     | 0.43                 | 44800                               | 0.8                         |
| 156.5677.611_ | 110                | 40                     | 0.31                 | 139000                              | 0.8                         |
| 156.5677.615_ | 150                | 52                     | 0.23                 | 465000                              | 0.8                         |
| 156.5677.617_ | 175                | 46                     | 0.22                 | 560000                              | 0.8                         |

## Dimensions

Dimensions in mm for reference only.  
See outline drawing for dimensions and tolerances





- 30 A
- 40 A
- 50 A
- 60 A
- 80 A
- 110 A
- 150 A
- 175 A