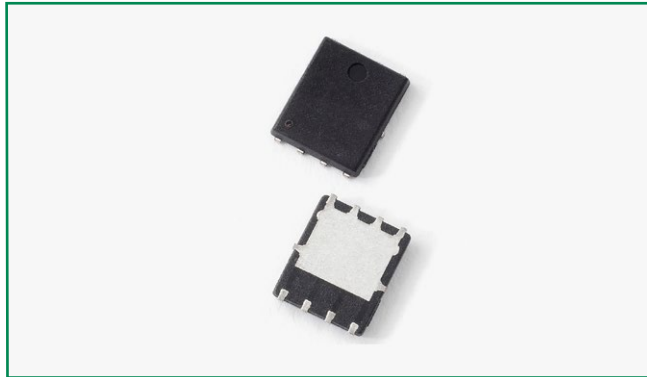
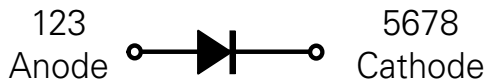


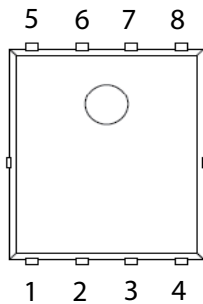
**DST3060DJF**



**Schematic**



**Pin out**



Pin	Function
1,2,3	Anode
4	open
5,6,7,8	Cathode

**Description**

Littelfuse DST series Ultra Low  $V_F$  Schottky Barrier Rectifier is designed to meet the general requirements of commercial and industry applications by providing high temperature, low leakage and low  $V_F$  products.

It is suitable for high frequency switching mode power supply applications, as free-wheeling and polarity protection diodes.

**Features**

- Ultra low forward voltage drop
- High frequency operation
- High junction temperature capability
- Guard ring for enhanced ruggedness and long term reliability
- Single die in PDFNWB5x6-8L package

**Applications**

- Switching mode power supply
- DC/DC converters
- Free-Wheeling diodes
- Polarity Protection Diodes

**Maximum Ratings**

Parameters	Symbol	Test Conditions	Max	Unit
Peak Inverse Voltage	$V_{RWM}$	-	60	V
Average Forward Current (per device)	$I_{F(AV)}$	50% duty cycle @ $T_C = 80^\circ\text{C}$ rectangular wave form	30	A
Peak One Cycle Non-Repetitive Surge Current (per diode)	$I_{FSM}$	8.3 ms, half Sine pulse	240	A

**Electrical Characteristics**

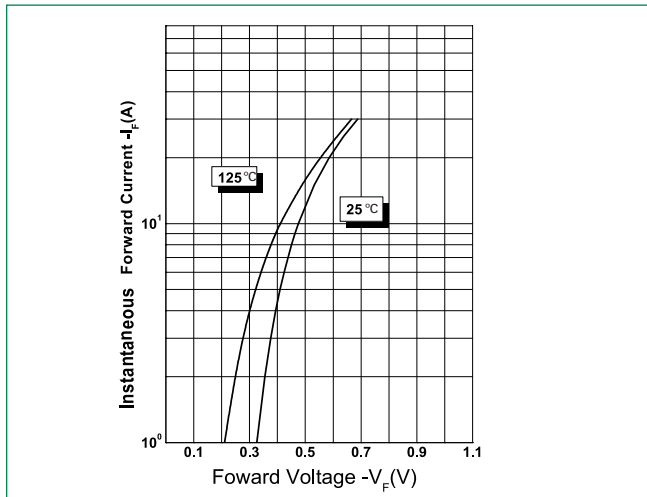
Parameters	Symbol	Test Conditions	Max	Unit
Forward Voltage Drop (per diode)*	$V_{F1}$	@30A, Pulse, $T_J = 25^\circ\text{C}$	0.77	V
	$V_{F2}$	@30A, Pulse, $T_J = 125^\circ\text{C}$	0.72	
Reverse Current (per diode)*	$I_{R1}$	@ $V_R = \text{rated } V_R$ , $T_J = 25^\circ\text{C}$	6	mA
	$I_{R2}$	@ $V_R = \text{rated } V_R$ , $T_J = 125^\circ\text{C}$	190	

\* Pulse Width < 300 $\mu\text{s}$ , Duty Cycle < 2%

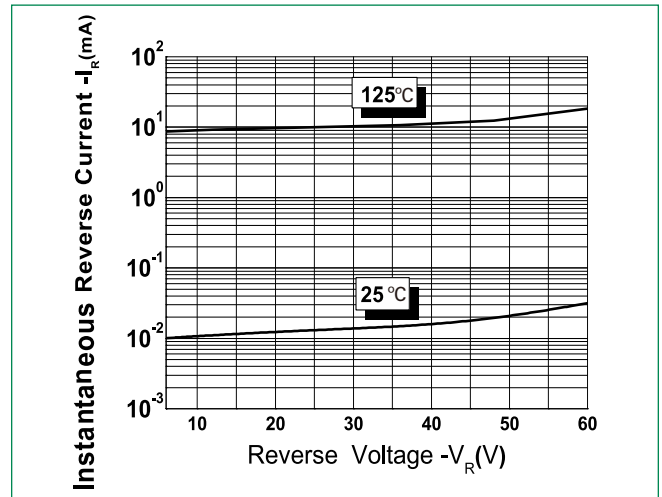
**Thermal-Mechanical Specifications**

Parameters	Symbol	Test Conditions	Max	Unit
Junction Temperature	$T_J$		-55 to +150	°C
Storage Temperature	$T_{stg}$		-55 to +150	°C
Typical Thermal Resistance Junction to Case (per diode)	$R_{thJC}$	DC operation	2.6	°C/W
Approximate Weight	wt		0.095	g
Case Style		PDFNWB5x6-8L		

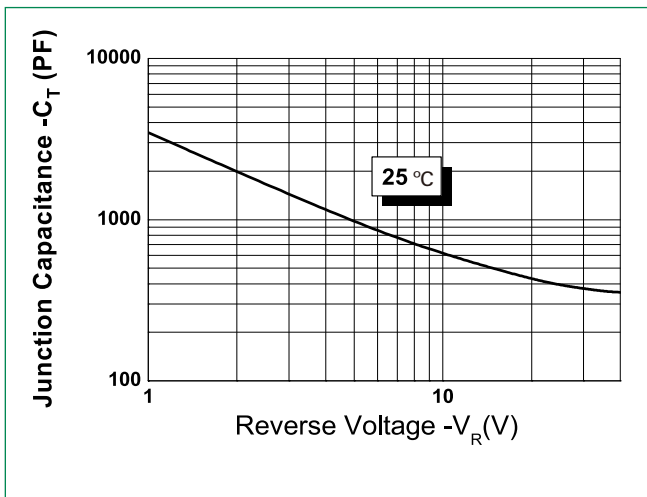
**Figure 1: Typical Forward Characteristics**



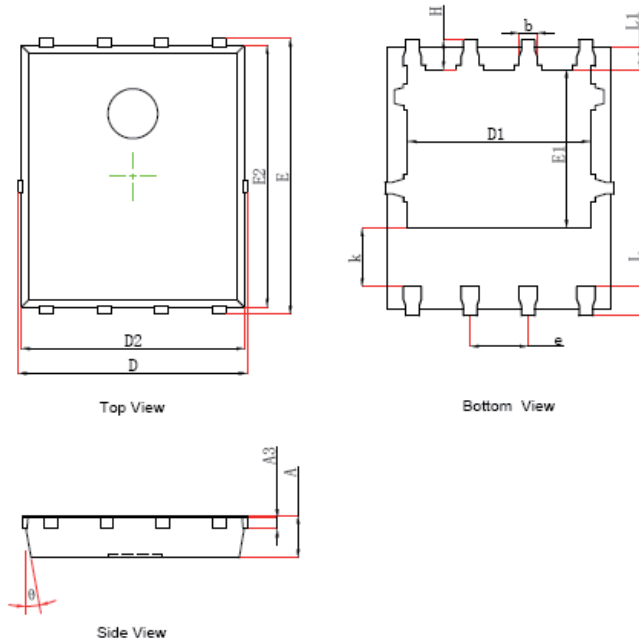
**Figure 2: Typical Reverse Characteristics**



**Figure 3: Typical Junction Capacitance**

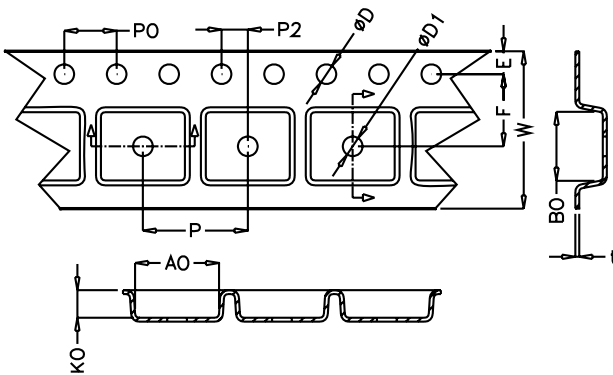


### Dimensions- PDFNWB5x6-8L



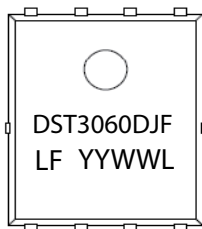
Symbol	Millimeters	
	Min	Max
A	0.900	1.000
A3	0.254 REF	
D	4.944	5.096
E	5.974	6.126
D1	3.910	4.110
E1	3.375	3.575
D2	4.824	4.976
E2	5.674	5.826
k	1.190	1.390
b	0.350	0.450
e	1.27 TYP	
L	0.559	0.711
L1	0.424	0.576
H	0.574	0.726
$\theta$	10°	12°

### Carrier Tape & Reel Specification



Symbol	Millimeters	
	Min	Max
A0	6.20	6.40
B0	5.20	5.40
D	1.50	1.60
D1	1.5	1.75
E	1.65	1.85
F	5.45	5.55
K0	1.00	1.20
P	7.90	8.10
P0	3.90	4.10
P2	1.95	2.05
W	11.90	12.30
t	0.23	0.27

### Part Numbering and Marking System



DST = Component Type  
 30 = Forward Current (30A)  
 60 = Reverse Voltage (60V)  
 DJF = Package Type  
 LF = Littelfuse  
 YY = Year  
 WW = Week  
 L = Lot Number

### Packing Options

Part Number	Marking	Packing Mode	M.O.Q
DST3060DJF	DST3060DJF	3000pcs / reel	3000