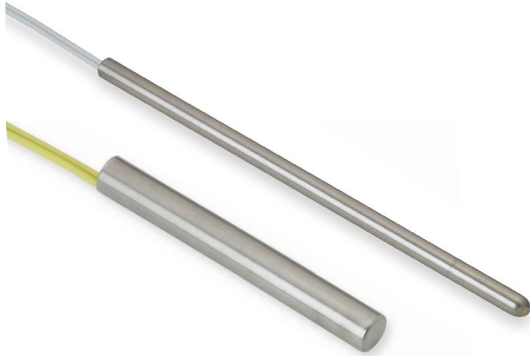


Thermistor Probes and Assemblies

NPSS Series - Straight

NTC Straight Thermistor Probe With Stainless Steel Housing

REACH 



Description

The NPSS series straight, stainless-steel NTC thermistor probe assemblies are suitable for a broad range of temperature sensing applications. The standard probe housings range in size from less than 1.066 mm to 11.125 mm in diameter with various lengths and a wide selection of lead wire materials and terminations. The high stability, precision, cost, and inherent ruggedness of these probe assemblies makes them an excellent temperature standard for medical, consumer, and industrial electronics applications.

If off-the-shelf solutions are not applicable, Littelfuse can customize the probe assemblies per customer specifications.

Features

- 300 series stainless steel
- Standard and moisture resistant
- Wide range of resistance and tolerances
- Fast and simple design
- Max operating temperature is 300 °C
- Highly stable electrical characteristics

Benefits

- High reliability
- Efficient
- Wide selection of probe diameters
- Assembled with terminal ends or without

Applications

- Food handling and processing
- Medical equipment
- Consumer electronics
- HVAC
- Aerospace
- Communication and instrumentation
- Industrial electronics

Thermistor Probes and Assemblies

NPSS Series - Straight

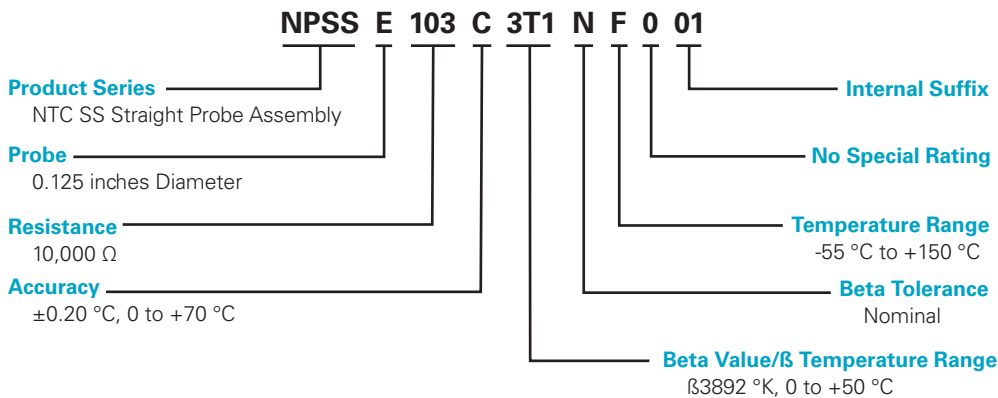
Specifications

PART NUMBER	RESISTANCE IN OHMS AT 25 C (Ω)	RESISTANCE TOLERANCE ± % @ 25 °C	BETA K 0-50 °C	OPERATING TEMPERATURE MAX °C	TEMPERATURE COEFFICIENT @ 25 °C	RESISTANCE-TEMPERATURE CURVE	ACCURACY 0 °C – +70 °C (± °C)
NPSS103C3T1NF001	10000	Nom	3892	150	-4.4%/°C	J	0.20
NPSSH103F3T1NDM01	10000	1	3892	105	-4.4%/°C	J	–

Certification & Compliance

REACH	Reach Regulation (EC) No. 1907/2006
RoHS	RoHS 2 Directive 2011/65/EU; Directive (EU) 2015/863

Part Numbering System



Ordering Information

CATALOG NUMBER	PACKING
NPSS103C3T1NF001	Bulk
NPSSH103F3T1NDM01	Bulk

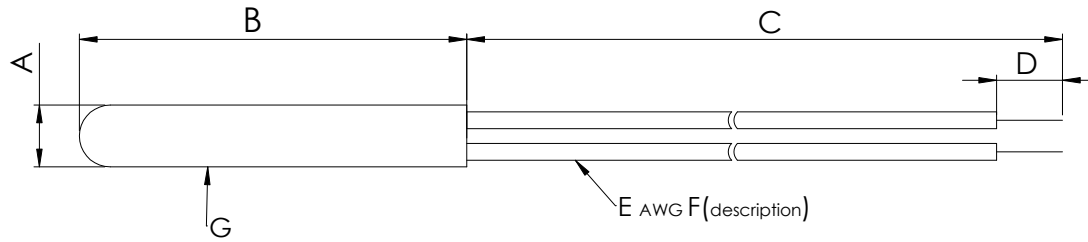
Electrical Specifications

RESISTANCE (25 C) Ω	RESISTANCE TOLERANCE, ±%	ACCURACY (± °C)	TEMP. COEFFICIENT (%/°C)	BETA (K)	TEMP RATING (°C)
1000 to 2000000	1 to 10	0.1 ~ 1	3.31 to 4.4	2000 ~ 5000	-40 ~ +300

Thermistor Probes and Assemblies

NPSS Series - Straight

Dimensions Inches (mm)



A	B	C	D	E	F	G
0.042" to 0.438" (1.066 to 11.125mm)	0.2" to 36" (5.08 to 914.4mm)	1" to custom lengths (25.4mm to custom lengths)	0.157" to 0.250" (3.9878 to 6.350mm)	18 AWG to 34 AWG	Various cables and wires	300 stainless steel series

Disclaimer Notice – Information furnished is believed to be accurate and reliable. However, users should independently evaluate the suitability of and test each product selected for their own applications. Littelfuse products are not designed for, and may not be used in, all applications. Read complete Disclaimer Notice at www.littelfuse.com/product-disclaimer.