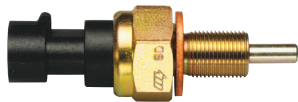


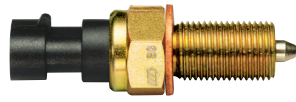
00711100 PLUNGER SWITCHES

12V/24V • “Superseal” Type • 1,5 series • Normally Open Mechanical



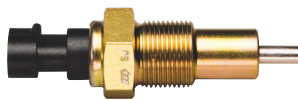
00711100

interchangeable with IVECO 98429631



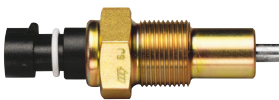
00711200

interchangeable with IVECO 4858212



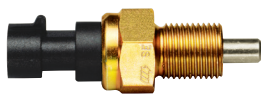
00711400

interchangeable with IVECO 4862212



00711900

interchangeable with IVECO 99437106



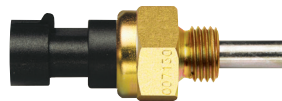
00712000

interchangeable with IVECO 99445107



00711700

interchangeable with IVECO 50302971



00713000

Description

The mechanical switches signal many different situations that may occur on commercial vehicles: differential lock, low gears activation, handbrake failure, etc. Mechanical switches both with 12V and with 24V; available are versions with contacts normally open or contacts normally closed, and black seal connector IP 67/CEI EN 60529.

Features and Benefits

- All the mechanical switches function both with 12V and with 24V
- Black seal connector IP 67/CEI EN 60529.
- Some versions are suitable for use under pressure conditions
- Silver plated contacts
- The superseal connector is protected with a rubber cap to prevent dirt intrusion before mounting

Web Resources

Download technical resources at:
littelfuse.com/plungerswitches

Specifications Overview

Voltage: 12V/24V
Ingress Protection: IP69K

Applications

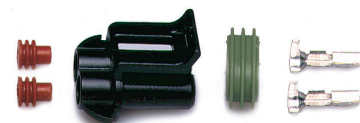
- IVECO Eurocargo
- IVECO Daily

Ordering Information

	PART NUMBER	MATERIAL BODY	TYPE	LOAD WATT	CONTACT MATERIAL	USE IN PRESSURE	NUT
OB	00711100	Steel	Normally Open	3 watt lamp	silver-plated	-	22
OB	00711200	Steel	Normally Open	3 watt lamp	silver-plated	-	22
	00711400	Steel	Normally Open	3 watt lamp	silver-plated	-	27
	00711700	Steel	Normally Open	3 watt lamp	silver-plated	-	22
OB	00711900	Steel	Normally Open	3 watt lamp	silver-plated	-	27
OB	00712000	Steel	Normally Open	3 watt lamp	silver-plated	12,5 bar	22
	00713000	Steel	Normally Open	3 watt lamp	silver-plated	-	22

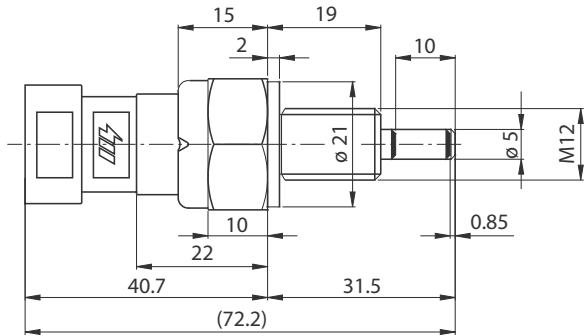
Accessories

	PART NUMBER	DESCRIPTION
OB	00712100	Seal female connector for all switches with “Superseal” male connector

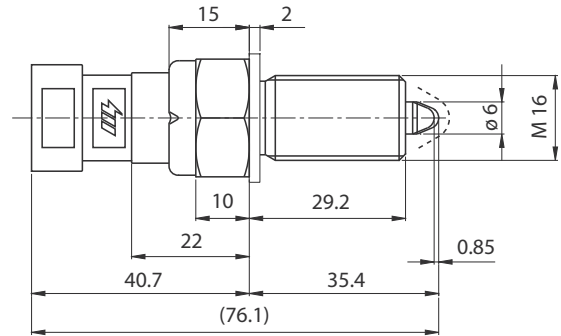


00712100

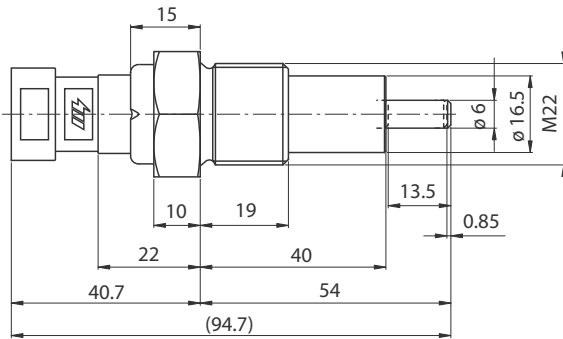
00711100 PLUNGER SWITCHESS



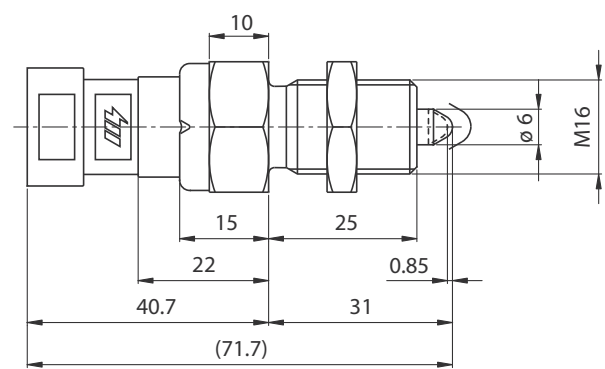
00711100



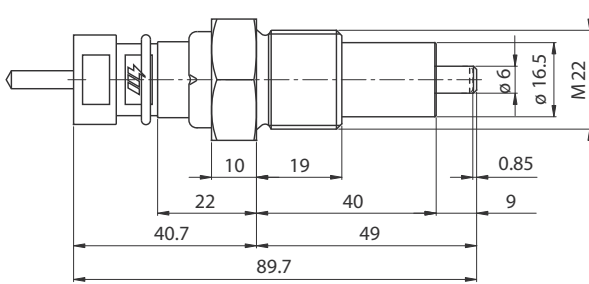
00711200



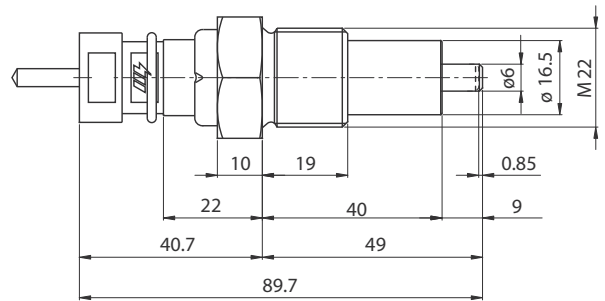
00711400



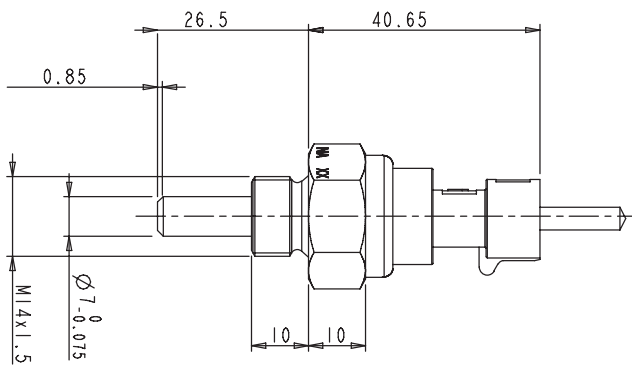
00711700



00712000



00711900



00713000