



# ATOF® Blade Fuses

Rated 32V

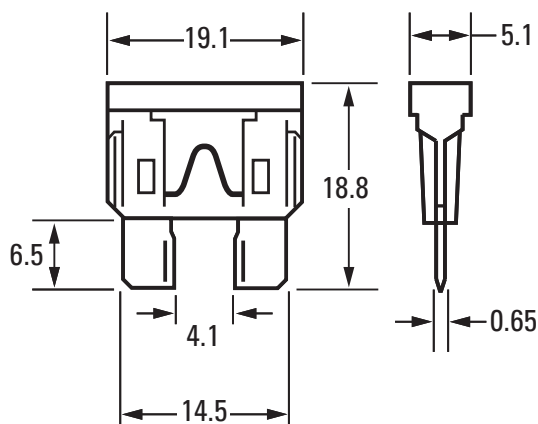
## Ratings

Part Number	Current Rating (A)	Housing Material Color	Test Cable Size (mm <sup>2</sup> )	Typ. Voltage Drop (mV)	Typ. Cold Resistance (mΩ)	Typ. I <sup>2</sup> t (A <sup>2</sup> s)
0287001._	1	Black	0.35	176	123	0.4
0287002._	2	Grey	0.35	141	53.5	1.4
0287003._	3	Purple	0.35	137	31.1	7.4
0287004._	4	Pink	0.35	136	22.8	14
0287005._	5	Brown	0.5	128	17.85	26
028707.5._	7.5	Dark Brown	0.75	116	10.91	60
0287010._	10	Red	1	109	7.70	115
0287015._	15	Blue	1.5	102	4.80	340
0287020._	20	Yellow	2.5	98	3.38	520
0287025._	25	Light Orange	2.5	92	2.52	1 000
0287030._	30	Green	4	84	1.97	1 500
0287035._	35	Dark Green	6	87	1.61	2 300
0287040._	40	Orange	6	96	1.44	3 300
0287900._	SHUNT	White	-	-	-	-

The typical I<sup>2</sup>t is an average value calculated from the breaking capacity tests by using the melting time before the arcing occurs.

## Dimensions

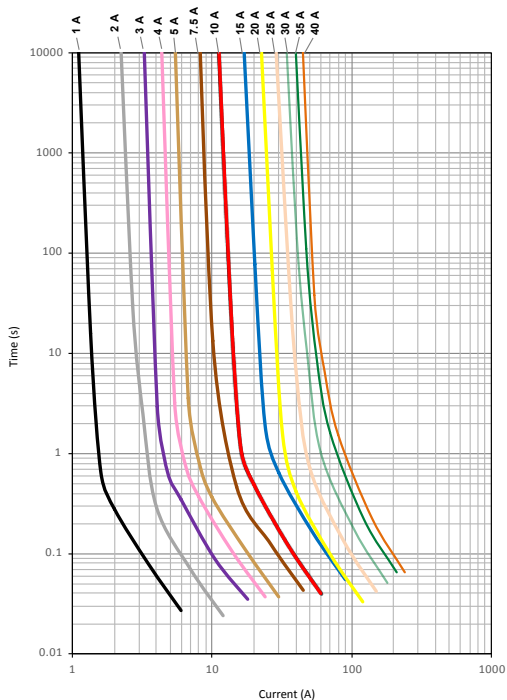
Dimensions in mm for reference only.  
See outline drawing for dimensions and tolerances.



# ATOF® Blade Fuses

## Rated 32V

### Time-Current Characteristic Curves

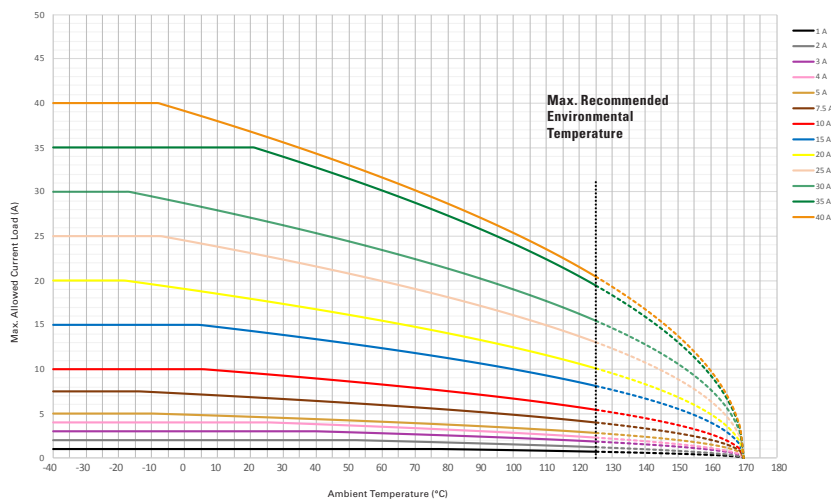


### Time-Current Characteristics

% of Rating	Current Rating (A)	Opening Time Min. / Max. (s)
100	35-40	360,000 / ∞
110	1-30	360,000 / ∞
135	1-2	0.35 / 600
160	3-40	0.750 / 600
200	1-2	0.1 / 5
	3-40	0.15 / 5
350	1-2	0.02 / 0.5
	3-40	0.08 / 0.5
600	1-30	0.1 max
	35-40	0.15 max

### Typical Derating of Fuse Melting Element

Temperature security margin is 20 %.  
 Wire cross-section and fixture test setup refer to ISO 8820-3.  
 Please contact Littelfuse for details regarding derating test setup.



### Temperature Table

	Max. allowed current load (A) at ambient temperature (typical derating)						
	-40 °C	0 °C	20 °C	65 °C	85 °C	110 °C	125 °C
<b>1 A</b>	1	1	1	1	1	1	1
<b>2 A</b>	2	2	2	2	2	1	1
<b>3 A</b>	3	3	3	3	2	2	2
<b>4 A</b>	4	4	4	3	3	3	2
<b>5 A</b>	5	5	5	4	4	3	3
<b>7.5 A</b>	8	7	7	6	5	5	4
<b>10 A</b>	10	10	10	8	7	6	5
<b>15 A</b>	15	15	14	12	11	9	8
<b>20 A</b>	20	19	18	15	14	12	10
<b>25 A</b>	25	25	23	19	18	15	13
<b>30 A</b>	30	29	27	23	21	18	15
<b>35 A</b>	35	35	35	29	27	22	19
<b>40 A</b>	40	39	37	31	28	24	20

ATOF® SHUNT Maximum Continuous Load at 85°C: 40A

Derating curves may change depending on the final condition of the application (terminals' characteristics, wire size, etc.). Please ask Littelfuse® for more information.