

# Motor and Pump Protection Relays

## 232-INSIDER

### Single-Phase Pump Monitor



## Description

The single-phase 232-Insider PumpSaver® fits inside 1/3, 1/2, 3/4, and 1 hp, 230 V Grundfos control boxes. The PumpSaver 232-Insider is designed to protect single-phase pumps from dry-well, dead-head, jammed impellers, overvoltage, and undervoltage conditions. Typical applications include residential water wells, commercial water wells, irrigation wells, and golf course systems.

A calibration adjustment allows the 232-Insider to be calibrated to your specific pumping application, reducing the possibility of false or nuisance tripping. A unique microcontroller-based voltage and current-sensing circuit constantly monitors the incoming power for fluctuations, overcurrent, and undercurrent. When an abnormality, such as loss of suction is detected, the 232-Insider deactivates its output relay and directly disconnects the pump motor. The 232-Insider then begins its user-selectable restart delay (dry-well recovery) timer. When the timer counts to zero or power is removed and reapplied, the 232-Insider reactivates its output relay and turns the pump back on. By leaving the restart delay knob in the reset position, the 232-Insider will operate in manual reset mode. An infrared LED communicates directly with a hand-held diagnostic tool called the Informer\*.

Note: The use of flow restrictors or unusually high head pressures at the time of calibration may interfere with the detection of dead-head conditions.

\*The Informer: a hand-held diagnostic tool that uses an infrared receiver to access information that can be helpful for troubleshooting the system (sold separately).

## Features & Benefits

FEATURES	BENEFITS
<b>Proprietary microcontroller-based circuitry</b>	Constant monitoring of voltage and current status for maximum protection
<b>Adjustable restart delay</b>	Allows user to select well recovery time delay after a dry-well condition n occurs, or to select manual reset
<b>Built-in IR communications link</b>	Used with the Informer, allows user to see stored faults, run time, and troubleshoot while the pump is running
<b>LED indication</b>	Provides status and diagnostics for troubleshooting

## Applications

- Residential and commercial water wells
- Irrigation wells
- Golf course systems

# Motor and Pump Protection Relays

## 232-INSIDER

### Specifications

#### Functional Characteristics

<b>1 Phase Line Voltage (<math>\pm 10\%</math>)</b>	230 V ac
<b>Load Range</b>	1/3-1 hp
<b>Frequency</b>	50*/60 Hz

#### Operating Points

<b>Overload</b>	125 % of Cal. Point
<b>Underload (dry well)</b>	80 % or 87 % of calibrated run power
<b>High Voltage Reset Point</b>	265
<b>Low Voltage Reset Point</b>	190
<b>Trip Delay Time (Overload)</b>	5 sec.
<b>Trip Delay Time (Dry well)</b>	4 sec.

#### Restart Delay Time

<b>Overvoltage/Undervoltage Delay</b>	2 sec.
<b>All other faults (dry-well rec. timer)</b>	Manual, 2-225 min.
<b>Output Contact Rating (SPST)</b>	1 hp @ 240 V ac (17 amps max.)
<b>Weight</b>	10 oz.
<b>Power Consumption</b>	5 Watts (max.)

\*Note: 50 Hz will increase all delay timers by 20 %

### Certification & Compliance

cULus	UL 508
-------	--------

### Accessories

#### Informer

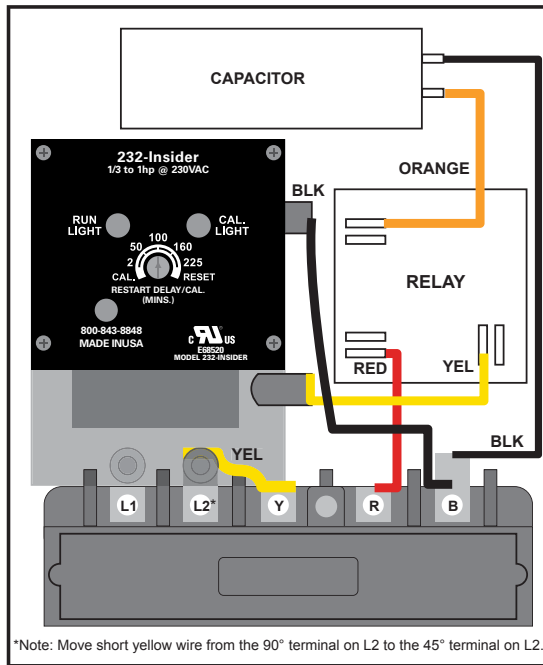
A hand-held diagnostic tool that uses an infrared receiver to access information which can be helpful for troubleshooting the system.

# Motor and Pump Protection Relays

## 232-INSIDER

### Simplified Wiring Diagram

232-INSIDER CONNECTIONS IN GRUNDFOS\* CONTROL BOX



For installation instructions see the Fresh Water Pumping Catalog.

**Disclaimer Notice** – Information furnished is believed to be accurate and reliable. However, users should independently evaluate the suitability of and test each product selected for their own applications. Littelfuse products are not designed for, and may not be used in, all applications. Read complete Disclaimer Notice at [www.littelfuse.com/product-disclaimer](http://www.littelfuse.com/product-disclaimer).