

59300 Level Sensor

RoHS



Description

The 59300 is a small sensor with a normally open contact, intended to be operated with a magnetic float actuator (not provided with sensor). It is capable of switching up to 140Vac/200Vdc at 10VA. It is ideally suited to liquid and air conditioning condensate and industrial process control applications.

Features

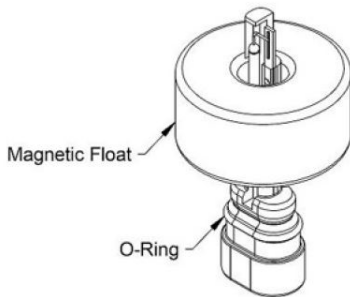
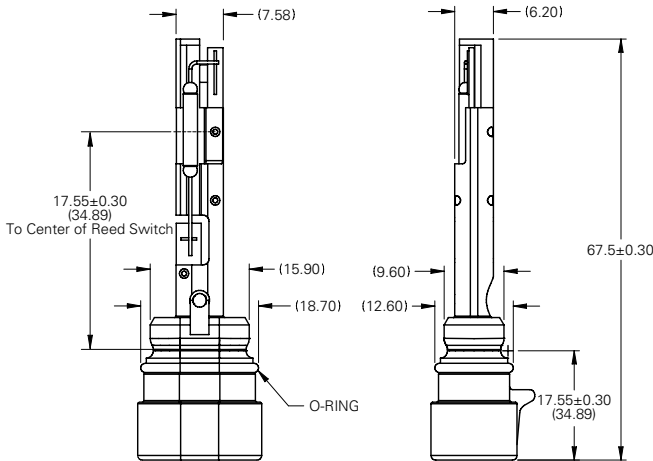
- Low cost
- No potting
- Welded connection
- Press fit mounting
- For blow or injection molded bottles
- RoHS compliant

Benefits

- No standby power required
- Long contact life with logic level loads
- Hermetically sealed contacts
- Automotive grade

Dimensions

Dimensions in mm (inch)



Note: Littelfuse does not supply the float.

Applications

- Liquid level control
- Air conditioning systems
- Industrial Process Control

59300 Level Sensor

Electrical Ratings

Contact Type			Normally Open
Switch Type			1
Contact Rating ¹		VA/Watt - max.	10
Voltage ⁴	Switching ²	Vdc - max.	200
	Breakdown ³	Vac - max. Vdc - min.	140 250
Current ⁴	Switching ²	Adc - max.	0.5
	Carry	Aac - max. Adc - max.	0.35 1.2
Resistance ⁵	Contact, Initial Insulation	Ω - max. Ω - min.	0.5 10 ¹⁰
Capacitance	Contact	pF - typ.	0.3
Temperature	Operating	°C	-40 to +105

Product Characteristics

Operate Time ⁶		ms - max.	0.6
Release Time ⁶		ms - max.	0.2
Shock ⁷	11ms ½ sine	G - max.	100
Vibration ⁷	50-2000 Hz	G - max.	30
Connector Style	Mating	Delphi Metri-Pak	12052641

Notes:

- Contact rating - Product of the switching voltage and current should never exceed the wattage rating. Contact Littelfuse for additional load/life information.
- When switching inductive and/or capacitive loads, the effects of transient voltages and/or currents should be considered. Refer to Application Notes AN108A and AN107 for details.
- Breakdown Voltage - per MIL-STD-202, Method 301.
- Electrical Load Life Expectancy - Contact Littelfuse with voltage, current values along with type of load.
- This resistance value is for 11.81mm wire length. Resistance changes when wire lengthens.
- Operate (including bounce)/Release Time - per EIA/NARM RS-421-A, diode suppressed coil (Coil II).
- Shock and Vibration - per EIA/NARM RS-421-A and MIL-STD-202.

Termination Options

Select Option	Description
A	Delphi Metri-Pak pn 12052641

Part Numbering System



59300 Level Sensor

Packaging

Packaging Option	Packaging Specification	Quantity	Quantity and Packaging Code	Taping Width
Bulk	Bulk	500	N/A	N/A

Disclaimer Notice - Information furnished is believed to be accurate and reliable. However, users should independently evaluate the suitability of and test each product selected for their own applications. Littelfuse products are not designed for, and may not be used in, all applications. Read complete Disclaimer Notice at www.littelfuse.com/disclaimer-electronics.