

MDSM-DT 14.7mm Surface Mount Changeover Reed Switch



Description

The MDSM-DT Reed Switch is a miniature, surface mounting, changeover switch with a 14.73mm long x 2.54mm diameter (0.580" x 0.100") glass envelope. It is capable of switching 175Vdc at 5W. The MDSM-DT has an insulation resistance of 10⁹ ohms minimum and contact resistance less than 100 milli-ohms. This reed switch is a surface mount version of the MDRR-DT.

Features

- Surface mount SPDT changeover switch
- Capable of switching 175Vdc or 0.25A at up to 5W
- Available sensitivity 15-30 AT

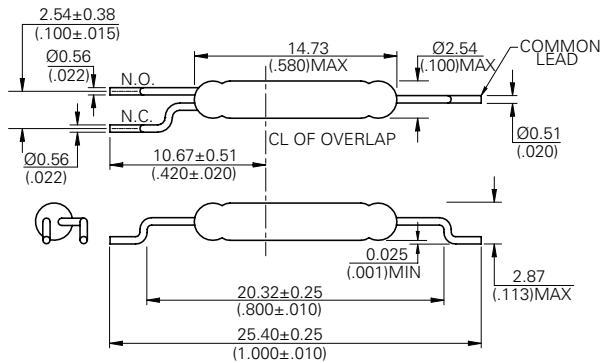
Agency Approvals

Agency	Agency File Number	Ampere-Turns Range
cRUUS	E47258 E471070	15-30 AT

Note: Contact Littelfuse for specific agency approval ratings.

Dimensions

Dimensions in mm (inch)



Note: Land pattern is Littelfuse recommendation only. User is responsible for proper PCB design.

Benefits

- Hermetically sealed switch contacts are not affected by and have no effect on their external environment
- Zero operating power required for contact closure
- Excellent for switching microcontroller logic level loads

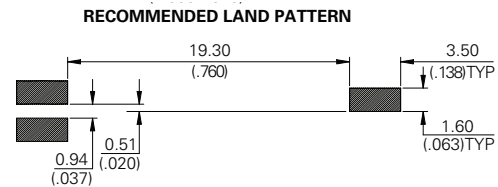
Applications

- Position Sensing
- Level Sensing
- Industrial Controls
- Office Equipments
- Mobile Phones

Switch Type

Contact Form	C (SPDT-CO)
Materials	Body: Glass Leads: Tin-plated Ni-Fe wire

Note: SPDT-CO = Single-Pole, Double-Throw, Change-Over



Electrical Ratings

Contact Rating ¹		W/VA - max.	5
Voltage ³	Switching ²	Vdc - max.	175
	Breakdown ⁴	Vac - max.	120
Current ³	Switching ²	Vdc - min.	200
		Adc - max.	0.25
	Carry	Aac - max.	0.18
Resistance	Contact, Initial Insulation	Adc - max.	1.50
		Ω - max.	0.100
Capacitance	Contact	Ω - min.	10 ⁹
		pF - typ.	1.0
Temperature	Operating	°C	-40 to +125
		Storage ⁵	°C

Notes:

1. Contact rating - Product of the switching voltage and current should never exceed the wattage rating. Contact Littelfuse for additional load/life information.
2. When switching inductive and/or capacitive loads, the effects of transient voltages and/or currents should be considered. Refer to Application Notes AN108A and AN107 for details.
3. Electrical Load Life Expectancy - Contact Littelfuse with voltage, current values along with type of load.
4. Breakdown Voltage - per MIL-STD-202, Method 301.
5. Storage Temperature - Long time exposure at elevated temperature may degrade solderability of the leads.

MDSM-DT 14.7mm Surface Mount Changeover Reed Switch

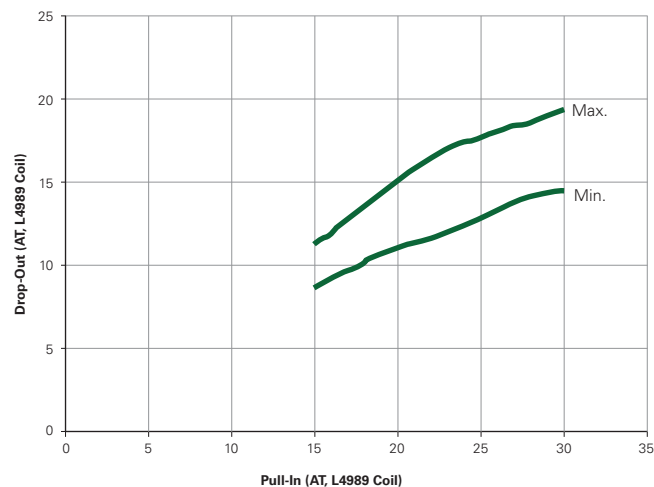
Product Characteristics

Operating Characteristics		
Operate Time ¹		0.7ms - max.
Release Time ¹		1.0ms - max.
Shock ²	11ms 1/2 sine wave	50G - max.
Vibration ²	50-2000 Hertz	30G - max.
Resonant Frequency		11.0kHz - typ.
Magnetic Characteristics		
Pull-In Range ³	Ampere Turns	15-30
Rating Sensitivity ⁴	Ampere Turns	20
Test Coil		L4989

Notes:

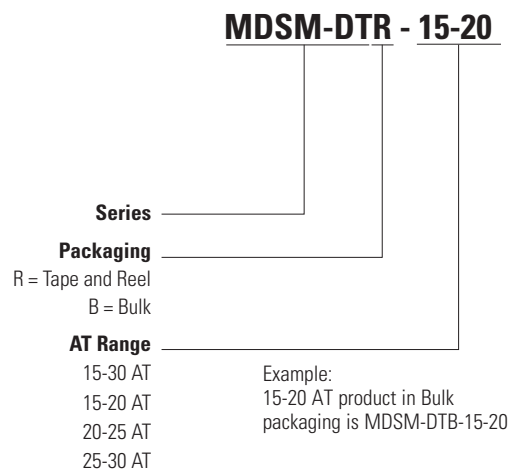
- Operate (including bounce)/Release Time - per EIA/NARM RS-421-A, diode suppressed coil (Coil II).
- Shock and Vibration - per EIA/NARM RS-421-A and MIL-STD-202.
- Pull-In Range - Contact Littelfuse for narrower AT ranges available. These AT values are the before modification AT of the MDRR-DT.
- Rating Sensitivity - The value at which contact ratings and operating characteristics are determined. Derating may be required below this value.

Drop-Out vs. Pull-In Chart



Note: Chart represents the range of Drop-Out, min to max, for a given Pull-In value of the MDRR-DT prior to modification into the MDSM-DT.

Part Numbering System



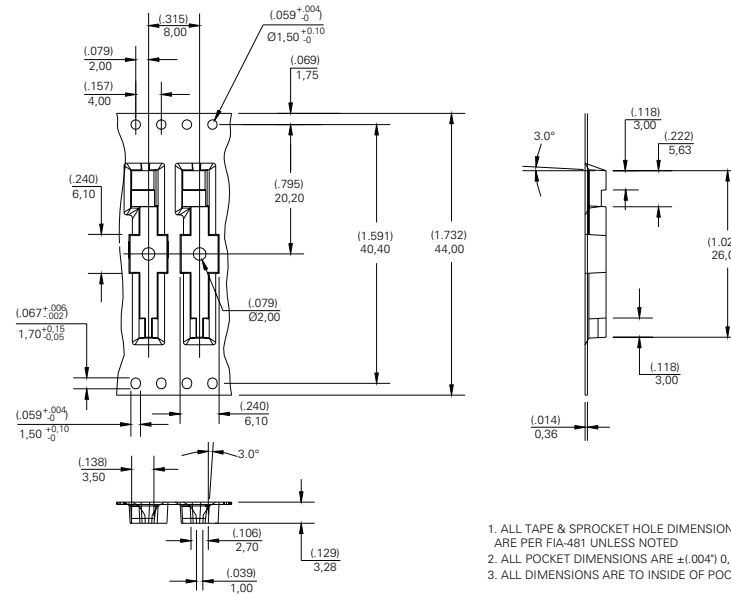
Note: These AT values are the before-modification values of the bare reed switch.

Packaging

Packaging Option	Packaging Specification	Quantity	Quantity and Packaging Code	Taping Width
Tape and Reel	EIA-RS-481-1	3000	R	32mm
Bulk	N/A	200	B	N/A

MDSM-DT 14.7mm Surface Mount Changeover Reed Switch

TAPE DIMENSIONS mm (inch)



1. ALL TAPE & SPROCKET HOLE DIMENSIONS ARE PER FIA-481 UNLESS NOTED
2. ALL POCKET DIMENSIONS ARE ±(0.04*) 0,10mm
3. ALL DIMENSIONS ARE TO INSIDE OF POCKET

REEL DIMENSIONS mm (inch)

