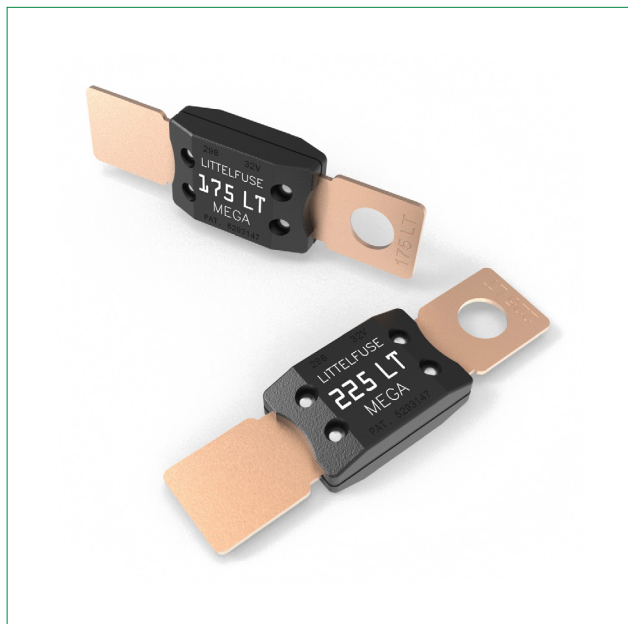


# MEGA® Low Temperature Series

## Bolt-down Fuses – Rated 32V

RoHS



### Description

The MEGA® Low Temperature automotive fuses employ diffusion pill technology to provide predictable time-delayed circuit protection. Like all types of MEGA fuses, MEGA LT fuses are ideal for protecting batteries, alternators, and heavy gauge wire harnesses that experience large inrushes of current. The unique design of MEGA LT fuses, however, ensures a lower voltage drop than other MEGA fuses operating at the same temperatures.

### Features & Benefits

- Low voltage drop brings to lower temperatures
- Available with two mounting holes or one mounting hole M8
- High-contrast ampere rating stamp aids identification
- Silver plating available for 125 A fuse rating

### Applications

- Cars / SUVs
- Trucks
- Offroad vehicles
- Buses
- Watercraft as approved by Littelfuse®

[See Disclaimer Notice](#)

### Additional Information



Resources



Samples

### Specifications

<b>Voltage Rating:</b>	32 V DC
<b>Interrupting Rating:</b>	2000 A @ 32 V DC
<b>Recommended Environmental Temperature:</b>	-40 °C to +125 °C
<b>Terminals Material:</b>	Tin plated copper alloy
<b>Housing Material:</b>	PPA-GF33HS (U.L. 94 Flammability rating - HB)
<b>Mounting Torque M8:</b>	12-18 Nm

### Ordering Information

Part Number	Plating	Current Rating (A)	Package Size	Bolt Hole Qty.
0298125.ZXBLT	Ag	125	500	2
0298xxx.ZXEHLT	None	150 - 275	500	2
0298xxx.UX1M8LT	None	150 - 275	500	1

# MEGA<sup>®</sup> Low Temperature Series

## Bolt-down Fuses – Rated 32V

### Ratings

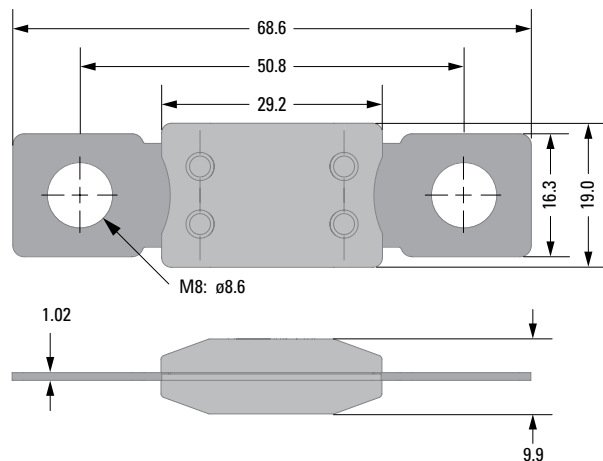
Part Number	Current Rating (A)	Font Color	Test Cable Size (mm <sup>2</sup> )	Typ. Voltage Drop (mV)	Typ. Cold Resistance (mΩ)	Typ. I <sup>2</sup> t (A <sup>2</sup> s)
0298125.ZXBLT	125	□	16	67	0.33	57 000
0298150.ZXEH-LT	150	□	25	62	0.26	59 000
0298175.ZXEH-LT	175	□	25	65	0.23	123 000
0298200.ZXEH-LT	200	□	35	61	0.21	140 000
0298225.ZXEH-LT	225	□	35	57	0.18	317 000
0298250.ZXEH-LT	250	□	50	54	0.14	637 000
0298275.ZXEH-LT	275	□	50	53	0.12	800 000

**Note:** The typical I<sup>2</sup>t is an average value calculated from the breaking capacity tests by using the melting time before the arcing occurs.

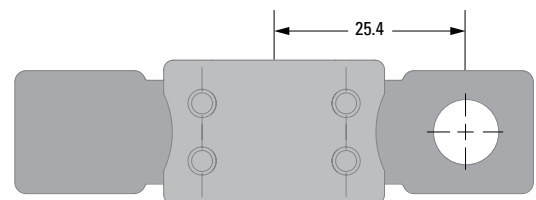
### Dimensions

Dimensions in mm. Please refer to the outline drawing for dimensions and tolerances.

ZXBLT & ZXEH-LT Versions



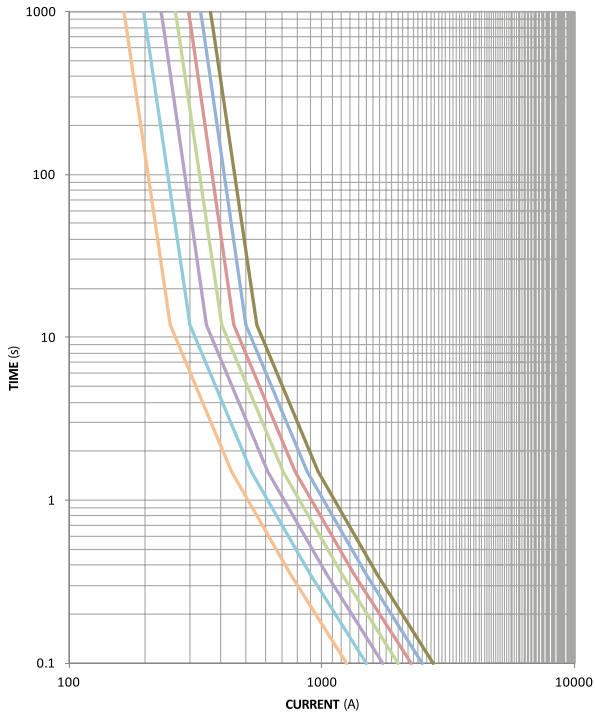
UX1M8LT Version



# MEGA® Low Temperature Series

## Bolt-down Fuses – Rated 32V

### Time-Current Characteristic



% of Rating	Opening Time Min. / Max. (s)	
	125 A	150 A / 275 A
100	14 400 / -	14 400 / -
135	120 / 1 800	120 / 1 800
200	1 / 50	1 / 150
350	0.3 / 5	0.3 / 5
600	0.1 / 1	0.1 / 1

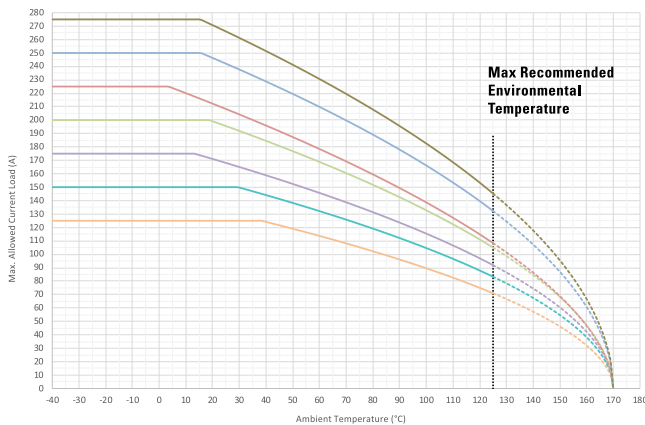
- 125 A
- 150 A
- 175 A
- 200 A
- 225 A
- 250 A
- 275 A

**Note:** Current recommendation may be impacted by the final condition of the application (terminals characteristics, wire size etc.). Please contact Littelfuse® for more information.

### Typical Derating Curves

Temperature security margin is 20%.

Please contact Littelfuse® for Details Regarding Derating Test Set Up.



	Max. allowed current load (A) at ambient temperature based on typical derating						
	-40 °C	0 °C	20 °C	65 °C	85 °C	110 °C	125 °C
<b>125 A</b>	125	125	125	111	99	83	71
<b>150 A</b>	150	150	150	129	116	97	83
<b>175 A</b>	175	175	171	142	128	107	92
<b>200 A</b>	200	200	199	165	147	122	105
<b>225 A</b>	225	225	212	174	155	127	108
<b>250 A</b>	250	250	246	205	184	153	132
<b>275 A</b>	275	275	271	225	202	169	145

- 125 A
- 150 A
- 175 A
- 200 A
- 225 A
- 250 A
- 275 A

**Note:** Current recommendation may be impacted by the final condition of the application (terminals characteristics, wire size etc.). Please contact Littelfuse® for more information.

**Disclaimer Notice** - Information furnished is believed to be accurate and reliable. However, users should independently evaluate the suitability of and test each product selected for their own applications. Littelfuse products are not designed for, and may not be used in, all applications. Read complete Disclaimer Notice at <https://www.littelfuse.com/legal/disclaimers/product-disclaimer.aspx>