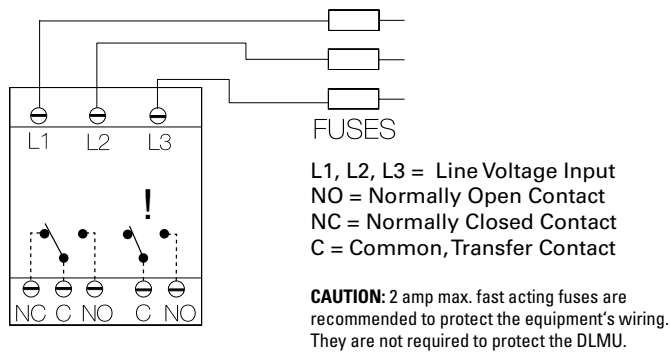


DLMU SERIES



Wiring Diagram



! = Select alarm contact connection as N.O. or N.C. when ordering; N.O. Shown.

Features & Benefits

FEATURES	BENEFITS
Proprietary microcontroller based circuitry	Constant monitoring to protect against phase loss, phase reversal, over voltage, under voltage, unbalance, short cycling and over/under frequency
Universal line voltage range	Flexibility to work in 200 to 480VAC or 500 to 600VAC applications
DIN rail (35mm) or surface mounting	Installation flexibility
LED indication	Provides diagnostics of relay, fault and time delay status
User adjustable time delays	Prevents nuisance tripping and short cycling of sensitive equipment

Ordering Information

MODEL	LINE VOLTAGE	OUTPUT	RESTART FUNCTION	VOLTAGE UNBALANCE	TRIP DELAY	RESTART DELAY
DLMHBRAAA	500 to 600VAC	SPDT & NO	Staggered restart	Adjustable 2 - 10%	Adjustable 1 - 30s	Adjustable 0.6 - 300S
DLMUBLAAA	200 to 480VAC	SPDT & NO	Lockout, min off time	Adjustable 2 - 10%	Adjustable 1 - 30s	Adjustable 0.6 - 300S
DLMUBNAAN	200 to 480VAC	SPDT & NO	No restart delay	Adjustable 2 - 10%	Adjustable 1 - 30s	None
DLMUBRAAA	200 to 480VAC	SPDT & NO	Staggered restart	Adjustable 2 - 10%	Adjustable 1 - 30s	Adjustable 0.6 - 300S

If you don't find the part you need, call us for a custom product 800-843-8848

Description

The DLMU Series is a universal voltage, 3-phase voltage monitor. It continuously measures the voltage of each of the three phases with microcontroller accuracy and compares the value to preset trip points. It separately senses phase reversal and loss; over, under and unbalanced voltages; and over or under frequency. Protection is assured during periods of large average voltage fluctuations or when regenerated voltages are present. The unit trips within 200ms when phase loss is detected. Adjustable time delays are included to prevent nuisance tripping and short cycling of sensitive equipment. The isolated, 10A, SPDT and 2A alarm output relay contacts trip when a phase voltage exceeds the trip limits for the trip delay. Nominal line voltage, voltage unbalance, and time delays are knob adjustable. The phase loss setpoint and the acceptable frequency range are fixed. Both delta and wye systems can be monitored; no connection to neutral is required.

Operation

Upon application of line voltage, the output is de-energized and the restart delay begins. If all the 3-phase voltages are within the acceptable range, the output energizes at the end of the restart delay. The microcontroller circuitry automatically senses the voltage range, and selects the correct operating frequency (50 or 60Hz). The over and undervoltage trip points are set automatically. When the measured value of any phase voltage exceeds the acceptable range limits (lower or upper) the trip delay begins. At the end of the trip delay the output relay de-energizes. If the phase voltage returns to an acceptable value before the trip delay expires, the trip delay is reset and the output remains energized. Under, over, and unbalanced voltages plus over or under frequency must be sensed for the complete trip delay before the unit trips. The unit trips in 200ms when phase loss or reversal are sensed. The unit will not energize if a fault is sensed as the line voltage is applied.

Reset: Reset is automatic upon correction of the voltage or frequency fault or phase sequence.

DLMU SERIES

Restart Delay Options

L = Lockout or minimum OFF time. The restart delay begins when the output trips. The unit cannot be re-energized until the restart delay is complete. This provides a minimum off time or lockout time to allow equipment sensitive to short cycling, time to reset. If the fault is corrected after the restart delay is complete the output energizes immediately. The restart delay also occurs when line voltage is applied/reapplied.

R = Restart Delay on fault correction. The restart delay begins when line voltage is reapplied or when a voltage fault is corrected. This option is normally selected when staggered restarting of multiple motors on a power system is required.

N = No Restart Delay. 0.6 second initialization delay on application of line voltage applies.

Restart Notes: All restart options remain reset when the following conditions are detected:

1. Phase loss (phase unbalance greater than 25%)
2. Average line voltage less than 120VAC
3. Phase reversal

The restart delay begins when the condition is corrected.

LED Operation

The LED flashes green during the restart delay, then glows green when the output energizes. It flashes red during the trip delay then glows red when the output de-energizes. It flashes red/green if phase reversal is sensed. If a fault is sensed during the restart delay, the LED will glow red during that portion or the full restart delay.

Accessories



LPSM003ZXID (Indicating), LPSM003Z (Non-indicating) Fuse Holders

Littelfuse POWR-SAFE Dead Front holders provide optimum protection to personnel for Class CC and Midget-Style fuses. 600 VAC/DC



OKLK002.T Midget Fuse (2 Amp)

10 x 38 fast acting, high-interrupting capacity, current-limiting type fuse. 600 Vac/500 Vdc



C103PM (AL) DIN Rail

35 mm aluminum DIN rail available in a 36 in. (91.4 cm) length.

Specifications

Line Voltage

Type 3-phase delta or wye with no connection to neutral

Operating Voltage

200-480VAC	Range	Voltage Adj. Range	Line Frequency	Line Voltage Max.
	240	200-240VAC	50/60Hz	
	380	340-420VAC	50Hz	
	480	400-480VAC	60Hz	550VAC
600VAC	600	500-600VAC	50/60Hz	600VAC

AC Line Frequency

50/60 Hz automatically detected

Phase Loss

≥ 25% unbalance

Response Time

≤ 200ms

Undervoltage & Voltage Unbalance

Type

Voltage detection with delayed trip & automatic reset

Overvoltage

Trip Voltage

109 - 113% of the adjusted line voltage
≅ -3% of the trip voltage

Reset Voltage

Undervoltage

Trip Voltage

88 - 92% of the adjusted line voltage
≅ +3% of the trip voltage

Reset Voltage

Voltage Unbalance

Adjustable 2 - 10% or specify fixed unbalance of 2 - 10% in 1% increments
≅ -0.7% unbalance

Reset on balance

Trip Delay

Over/undervoltage, voltage unbalance, over/under frequency

Active On

Adjustable from 1 - 30s or specify fixed delay 1 - 30s in 1s increments

Range

± 15%

Tolerance

Restart Delay

Range

Adjustable from 0.6 - 300s; if no restart delay is selected a 0.6s initialization delay applies

Tolerance

Over/Under Frequency

± 15%

Phase Sequence

± 4%; Reset ± 3%; 50/60 Hz

Response Time -Phase

A, B, C, L1, L2, L3

Reversal & Phase Loss

≤ 200 ms

Reset

Automatic

Output

Type

Isolated Electromechanical Relay

Form C

Isolated, SPDT

Form C Rating

10A resistive @ 240VAC;
8A resistive @ 277VAC; NO-1/4 hp @ 120VAC;
1/3 hp @ 240VAC

Form A

Isolated, NO, SPST

Form A Rating

2A @ 277VAC

Life

Mechanical - 1 x 10⁶; Electrical - 1 x 30³

Protection

Phase Reversal/Failure

ASME A17.1 Rule 210.6

Motors and Generators

NEMA MG1 14:30, 14:35

Surge

IEEE C62.41-1991 Level B

Isolation Voltage

≥ 2500V RMS input to output

Mechanical

Mounting

Surface mount with 2 #8 (M4 x 0.7) screw or snap on 35mm DIN Rail

Note: 0.25 in. (6.35 mm) spacing between units or other devices is required

H 110 mm (4.33"); **W** 75 mm (2.95");

D 50 mm (1.97")

Dimensions

Termination

Screw terminals with captive wire clamps for up to #14 AWG (2.5 mm²) wire

Terminal Torque

4.4 in.-lbs.

Environmental

Operating/Storage

Temperature

-40° to 60°C / -40° to 85°C

Humidity

95% relative, non-condensing

Weight

≅ 8.6 oz (244 g)