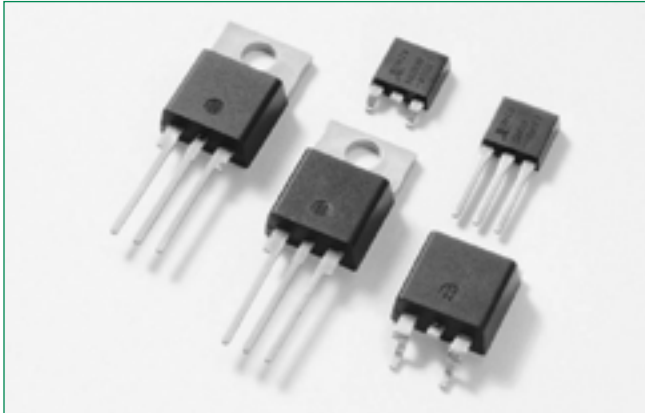


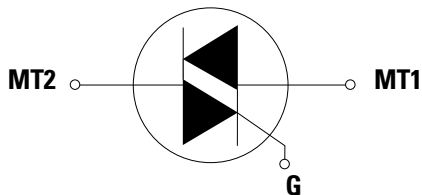
# LJxx08xx & QJxx08xHx & QJxx08xx Series

## 8 A High Temp Sensitive, Standard, & Alternistor (High Communication) TRIACs

HF **RoHS**  (L package: E71639)



### Schematic Symbol



**MT1:** Main Terminal 1; **MT2:** Main Terminal 2; **G:** Gate

### Description

This 8 A High Temperature Alternistor TRIAC solid state switch series is designed for AC switching and phase control applications such as motor speed and temperature modulation controls, lighting controls, and static switching relays.

**Sensitive** type components guarantee gate control in Quadrants I & IV as needed for digital control circuitry.

**Alternistor** type components only operate in Quadrants I, II, & III and are used in circuits requiring high dv/dt capability.

Standard type devices normally operate in Quadrants I & III triggered from AC line.

### Features & Benefits

- 150°C maximum junction temperature
- Voltage capability up to 800 V
- Surge capability up to 100 A at 60 Hz
- Solid-state switching eliminates arcing or contact bounce that create voltage transients
- No contacts to wear out from reaction of switching events
- Restricted (or limited) RFI generation, depending on activation point of sine wave
- Requires only a short gate activation pulse in each half-cycle
- Recognized to UL 1557 as an Electrically Isolated Semiconductor Device
- Halogen-free and RoHS compliant

### Applications

Excellent for AC switching and phase control applications such as heating, lighting, and motor speed controls.

Typical applications are AC solid-state switches, light dimmers, power tools, home/brown goods and white goods appliances.

Alternistor TRIACs (no snubber required) are used in applications with high inductive loads requiring the highest commutation performance.

### Product Summary

Characteristic	Value	Unit
$I_{T(RMS)}$	8	A
$V_{DRM}/V_{RRM}$	400 or 600 or 800	V
$I_{GT(Q1)}$	10 to 50	mA

# LJxx08xx & QJxx08xHx & QJxx08xx Series

## 8 A High Temp Sensitive, Standard, & Alternistor (High Communication) TRIACs

### Absolute Maximum Ratings – Sensitive TRIAC (4 Quadrants)

Symbol	Parameter		Value	Unit
$V_{DSM}/V_{RSM}$	Peak non-repetitive blocking voltage	$P_w = 100 \mu s$	600 V	700 V
$I_{T(RMS)}$	RMS on-state current (full sine wave)	LJxx08Vy/LJxx08Dy	$T_c = 130^\circ C$	8 A
$I_{TSM}$	Non-repetitive surge peak on-state current (full cycle, $T_{vj}$ initial = $25^\circ C$ )	f = 50 Hz	t = 20 ms	70 A
		f = 60 Hz	t = 16.7 ms	84 A
$I^2t$	$I^2t$ Value for fusing	$t_p = 8.3 ms$		29 A <sup>2</sup> s
di/dt	Critical rate of rise of on-state current $I_g = 50 mA$ with $0.1 \mu s$ rise time	f = 60 Hz	$T_{vj} = 150^\circ C$	150 A/ $\mu s$
$I_{GTM}$	Peak gate trigger current	$t_p = 20 \mu s$	$T_{vj} = 150^\circ C$	4 A
$P_{G(AV)}$	Average gate power dissipation		$T_{vj} = 150^\circ C$	0.3 W
$T_{stg}$	Storage temperature range			-40 to 150 °C
$T_j$	Operating junction temperature range			-40 to 150 °C

Note: xx=voltage/10, y = sensitivity

### Absolute Maximum Ratings – Alternistor (3 Quadrants)

Symbol	Parameter		Value	Unit	
$V_{DSM}/V_{RSM}$	Peak non-repetitive blocking voltage	$P_w = 100 \mu s$	600 V	700 V	
			800 V	1000 V	
$I_{T(RMS)}$	RMS on-state current (full sine wave)	QJxx08VHy/QJxx08DHy	$T_c = 130^\circ C$	8 A	
		QJxx08LHy	$T_c = 125^\circ C$		
		QJxx08RHx/QJxx08NHx	$T_c = 135^\circ C$		
$I_{TSM}$	Non-repetitive surge peak on-state current (full cycle, $T_{vj}$ initial = $25^\circ C$ )	f = 50 Hz	t = 20 ms	QJxx08VHy/QJxx08DHy	70 A
			t = 16.7 ms	QJxx08LHy/QJxx08RHx/QJxx08NHx	83 A
		f = 60 Hz	t = 16.7 ms	QJxx08VHy/QJxx08DHy	84 A
				QJxx08LHy/QJxx08RHx/QJxx08NHx	100 A
$I^2t$	$I^2t$ Value for fusing	$t_p = 8.3 ms$	QJxx08VHy/QJxx08DHy	29 A <sup>2</sup> s	
			QJxx08LHy/QJxx08RHx/QJxx08NHx	26.5 A <sup>2</sup> s	
di/dt	Critical rate of rise of on-state current	f = 60 Hz	$T_{vj} = 150^\circ C$	70 A/ $\mu s$	
$I_{GTM}$	Peak gate trigger current	$t_p = 20 \mu s$	$T_{vj} = 150^\circ C$	4 A/ $\mu s$	
$P_{G(AV)}$	Average gate power dissipation		$T_{vj} = 150^\circ C$	0.5 W	
$T_{STG}$	Storage temperature range			-40 to 150 °C	
$T_j$	Operating junction temperature range			-40 to 150 °C	

Note: xx=voltage/10, y = sensitivity

### Absolute Maximum Ratings - Standard TRIAC (4 Quadrants)

Symbol	Parameter		Value	Unit
$V_{DSM}/V_{RSM}$	Peak non-repetitive blocking voltage	$P_w = 100 \mu s$	600 V	700 V
			800 V	1000 V
$I_{T(RMS)}$	RMS on-state current (full sine wave)	QJxx08L5	$T_c = 125^\circ C$	8 A
		QJxx08R5/QJxx08N5	$T_c = 135^\circ C$	
$I_{TSM}$	Non-repetitive surge peak on-state current (full cycle, $T_{vj}$ initial = $25^\circ C$ )	f = 50 Hz	t = 20 ms	83 A
		f = 60 Hz	t = 6.7 ms	100 A
$I^2t$	$I^2t$ Value for fusing	$t_p = 8.3 ms$	QJxx08x5	26.5 A <sup>2</sup> s
di/dt	Critical rate of rise of on-state current	f = 60 Hz	$T_{vj} = 150^\circ C$	70 A/ $\mu s$
$I_{GTM}$	Peak gate trigger current	$t_p = 20 \mu s$	$T_{vj} = 150^\circ C$	4 A/ $\mu s$
$P_{G(AV)}$	Average gate power dissipation		$T_{vj} = 150^\circ C$	0.5 W
$T_{STG}$	Storage temperature range			-40 to 150 °C
$T_j$	Operating junction temperature range			-40 to 150 °C

Note: xx=voltage/10, x = package

# LJxx08xx & QJxx08xHx & QJxx08xx Series

## 8 A High Temp Sensitive, Standard, & Alternistor (High Communication) TRIACs

### Electrical Characteristics ( $T_{VJ} = 25^{\circ}\text{C}$ , unless otherwise specified) – Sensitive TRIAC (4 Quadrants)

Symbol	Test Conditions	Quadrant		LJxx08x8	Unit
		I – II – III IV	MAX.		
$I_{GT}$	$V_D = 12\text{ V}$ $R_L = 60\ \Omega$	I – II – III IV	MAX.	10 20	mA
$V_{GT}$		ALL	MAX.	1.3	V
$V_{GD}$	$V_D = V_{DRM}$ $R_L = 3.3\text{ k}\Omega$ $T_{VJ} = 150^{\circ}\text{C}$	ALL	MIN.	0.15	V
$I_H$	Initial $I_T = 100\text{ mA}$		MAX.	25	mA
dv/dt	$V_D = V_{DRM}$ Gate Open $T_{VJ} = 150^{\circ}\text{C}$	400 V	TYP.	80	V/ $\mu\text{s}$
		600 V		50	
(dv/dt)c	(di/dt)c = 4.3 A/ms $T_{VJ} = 150^{\circ}\text{C}$		TYP.	2	V/ $\mu\text{s}$
$t_{gt}$	$I_G = 2 \times I_{GT}$ $P_{WV} = 15\ \mu\text{s}$ $I_T = 11.3\text{ A(pk)}$		TYP.	12	$\mu\text{s}$

Note: xx=voltage/10, x = package,

### Electrical Characteristics ( $T_{VJ} = 25^{\circ}\text{C}$ , unless otherwise specified) – Alternistor TRIAC (3 Quadrants)

Symbol	Test Conditions	Quadrant		QJxx08xH2	QJxx08xH3	QJxx08xH4	Unit
		I – II – III	MAX.				
$I_{GT}$	$V_D = 12\text{ V}$ $R_L = 60\ \Omega$	I – II – III	MAX.	10	20	35	mA
$V_{GT}$		I – II – III	MAX.		1.3		V
$V_{GD}$	$V_D = V_{DRM}$ $R_L = 3.3\text{ k}\Omega$ $T_{VJ} = 150^{\circ}\text{C}$	I – II – III	MIN.		0.15		V
$I_H$	Initial $I_T = 100\text{ mA}$		MAX.	25	30	35	mA
dv/dt	$V_D = V_{DRM}$ Gate Open $T_{VJ} = 150^{\circ}\text{C}$	400 V	MIN.	150	250	350	V/ $\mu\text{s}$
		600 V		100	200	250	
		800 V		-	-	450	
(dv/dt)c	(di/dt)c = 4.3 A/ms $T_{VJ} = 150^{\circ}\text{C}$		MIN.	15	18	20	V/ $\mu\text{s}$
$t_{gt}$	$I_G = 2 \times I_{GT}$ $P_{WV} = 15\ \mu\text{s}$ $I_T = 11.3\text{ A(pk)}$		TYP.	10	10	10	$\mu\text{s}$

Note: xx=voltage/10, x = package

### Electrical Characteristics ( $T_{VJ} = 25^{\circ}\text{C}$ , unless otherwise specified) – Standard TRIAC

Symbol	Test Conditions	Quadrant		Valye	Unit
		I – II – III IV	MAX. TYP.	QJxx08x5	
$I_{GT}$	$V_D = 12\text{ V}$ $R_L = 60\ \Omega$	I – II – III	MAX.	50	mA
$V_{GT}$		IV	TYP.	75	
$V_{GD}$	$V_D = V_{DRM}$ $R_L = 3.3\text{ k}\Omega$ $T_{VJ} = 150^{\circ}\text{C}$	ALL	MAX.	1.3	V
$I_H$	Initial $I_T = 100\text{ mA}$		MIN.	0.2	V
dv/dt	$V_D = V_{DRM}$ Gate Open $T_{VJ} = 150^{\circ}\text{C}$	600 V	MIN.	800	V/ $\mu\text{s}$
		800 V		1000	
(dv/dt)c	(di/dt)c = 4.3 A/ms $T_{VJ} = 150^{\circ}\text{C}$		MIN.	4	V/ $\mu\text{s}$
$t_{gt}$	$I_G = 2X I_{GT}$ $P_{WV} = 15\ \mu\text{s}$ $I_T = 11.3A_{(pk)}$		TYP.	11	$\mu\text{s}$

# LJxx08xx & QJxx08xHx & QJxx08xx Series

## 8 A High Temp Sensitive, Standard, & Alternistor (High Communication) TRIACs

### Static Characteristics

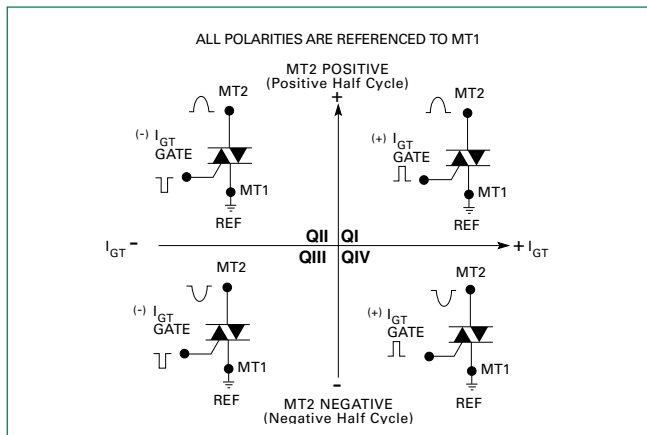
Symbol	Test Conditions			Value	Unit		
$V_{TM}$	$I_{TM} = 11.3 A, t_p = 380 \mu s$			MAX	1.5 V		
$I_{DRM}/I_{RRM}$	$V_{DRM} = V_{RRM}$	LJxx08xy	$T_{VJ} = 25^\circ C$	400-600 V	10	$\mu A$	
			$T_{VJ} = 125^\circ C$	400-600 V	0.5	mA	
			$T_{VJ} = 150^\circ C$	400-600 V	3		
			QJxx08xHy	$T_{VJ} = 25^\circ C$	400-800 V	10	$\mu A$
				$T_{VJ} = 125^\circ C$	400-800 V	0.5	mA
				$T_{VJ} = 150^\circ C$	400-800 V	3	
		QJxx08x5	$T_{VJ} = 25^\circ C$	600-800 V	10	$\mu A$	
			$T_{VJ} = 125^\circ C$		0.5	mA	
			$T_{VJ} = 150^\circ C$		4		

Note: xx=voltage/10, x=package, y = sensitivity

### Thermal Resistances

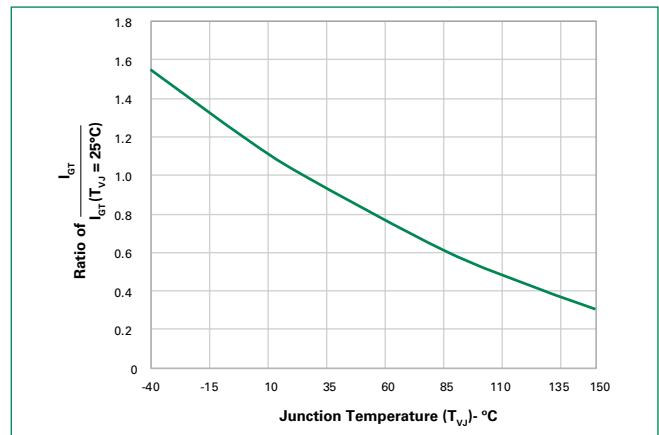
Symbol	Parameter		Value	Unit
$R_{thJC}$	Junction to case (AC)	LJ/QJxx08Vyy	1.5	$^\circ C/W$
		LJ/QJxx08Dyy		
		QJxx08R5/QJxx08N5	1.2	
		QJxx08L5	2.3	
$R_{thJA}$	Junction to ambient	LJ/QJxx08Vyy	70	$^\circ C/W$
		LJ/QJxx08Dyy		
		QJxx08R5/QJxx08N5	45	
		QJxx08L5	90	

**Figure 1:**  
Definition of Quadrants



Note: Alternistors will not operate in QIV

**Figure 2:**  
Normalized DC Gate Trigger Current for All Quadrants vs. Junction Temperature

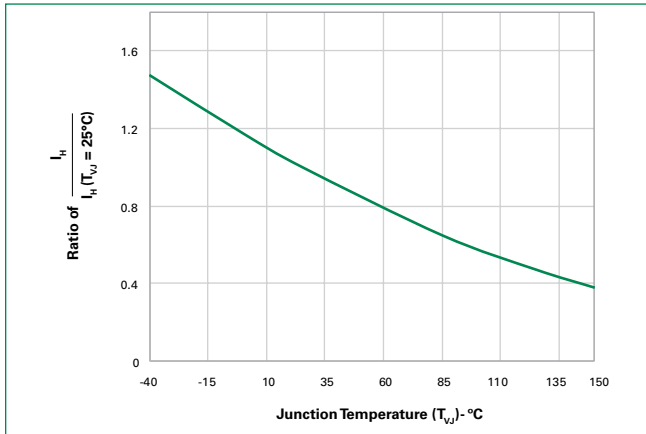


# LJxx08xx & QJxx08xHx & QJxx08xx Series

## 8 A High Temp Sensitive, Standard, & Alternistor (High Communication) TRIACs

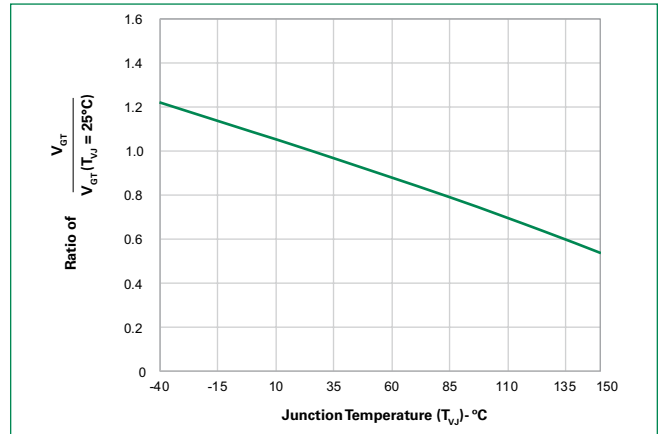
**Figure 3:**

Normalized DC Holding Current vs. Junction Temperature



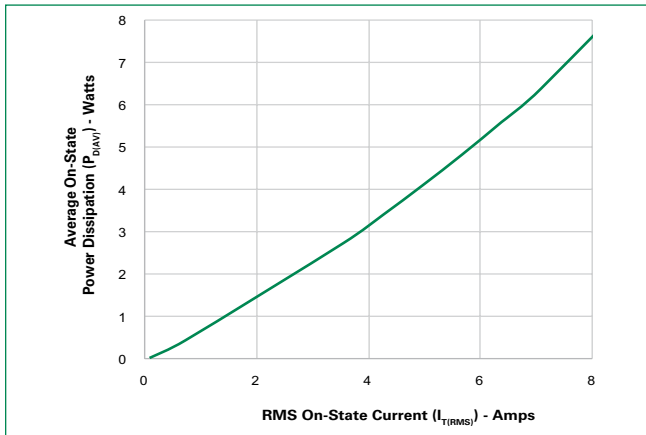
**Figure 4:**

Normalized DC Gate Trigger Voltage for All Quadrants vs. Junction Temperature



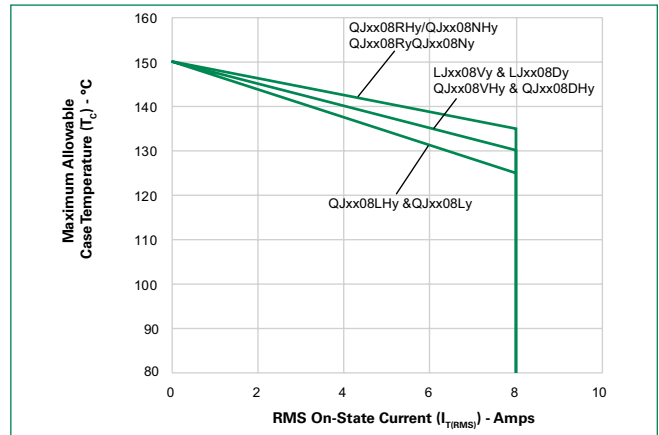
**Figure 5:**

Power Dissipation (Typical) vs. RMS On-State Current



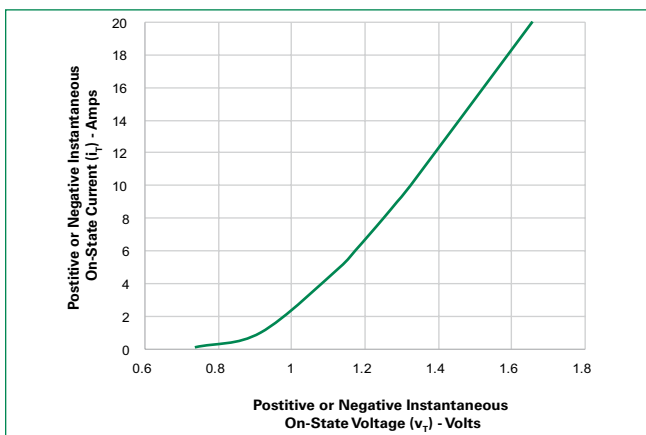
**Figure 6:**

Maximum Allowable Case Temperature vs. On-State Current



**Figure 7:**

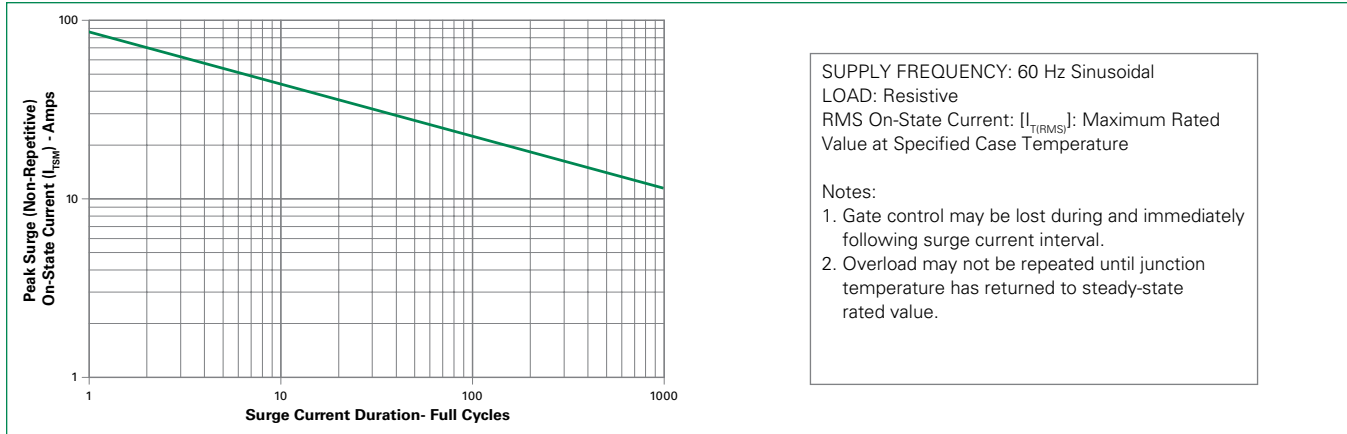
On-State Current vs. On-State Voltage (Typical)



# LJxx08xx & QJxx08xHx & QJxx08xx Series

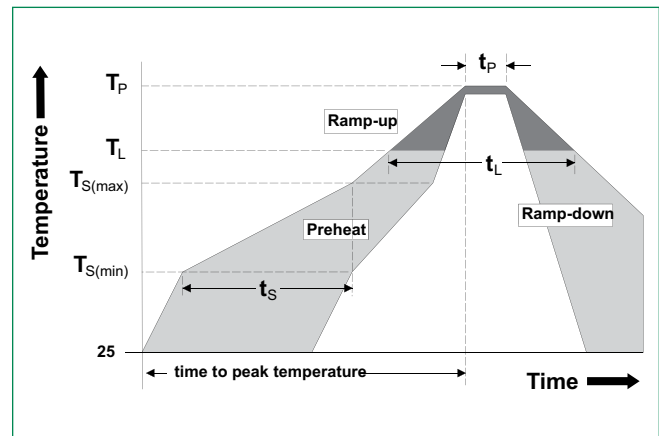
## 8 A High Temp Sensitive, Standard, & Alternistor (High Communication) TRIACs

Figure 8: Surge Peak On-State Current vs. Number of Cycles



### Soldering Parameters

<b>Reflow Condition</b>		Pb – Free assembly
<b>Pre Heat</b>	- Temperature Min ( $T_{s(min)}$ )	150°C
	- Temperature Max ( $T_{s(max)}$ )	200°C
	- Time (min to max) ( $t_p$ )	60 – 180 seconds
<b>Average ramp up rate (Liquidus Temp) (<math>T_L</math>) to peak</b>		5°C/second max.
<b><math>T_{s(max)}</math> to <math>T_L</math> - Ramp-up Rate</b>		5°C/second max.
<b>Reflow</b>	- Temperature ( $T_L$ ) (Liquidus)	217°C
	- Time ( $t_L$ )	60 – 150 seconds
<b>Peak Temperature (<math>T_p</math>)</b>		260 <sup>+0/-5</sup> °C
<b>Time within 5°C of actual peak Temperature (<math>t_p</math>)</b>		20 – 40 seconds
<b>Ramp-down Rate</b>		5°C/second max.
<b>Time 25°C to peak Temperature (<math>T_p</math>)</b>		8 minutes max.
<b>Do not exceed</b>		280°C



### Physical Specifications

<b>Terminal Finish</b>	100% Matte Tin-plated
<b>Body Material</b>	UL Recognized compound meeting flammability rating V-0.
<b>Terminal Material</b>	Copper Alloy

### Design Considerations

Careful selection of the correct component for the application's operating parameters and environment will go a long way toward extending the operating life of the Thyristor. Good design practice should limit the maximum continuous current through the main terminals to 75% of the component rating. Other ways to ensure long life for a power discrete semiconductor are proper heat sinking and selection of voltage ratings for worst case conditions. Overheating, overvoltage (including  $dv/dt$ ), and surge currents are the main killers of semiconductors. Correct mounting, soldering, and forming of the leads also help protect against component damage.

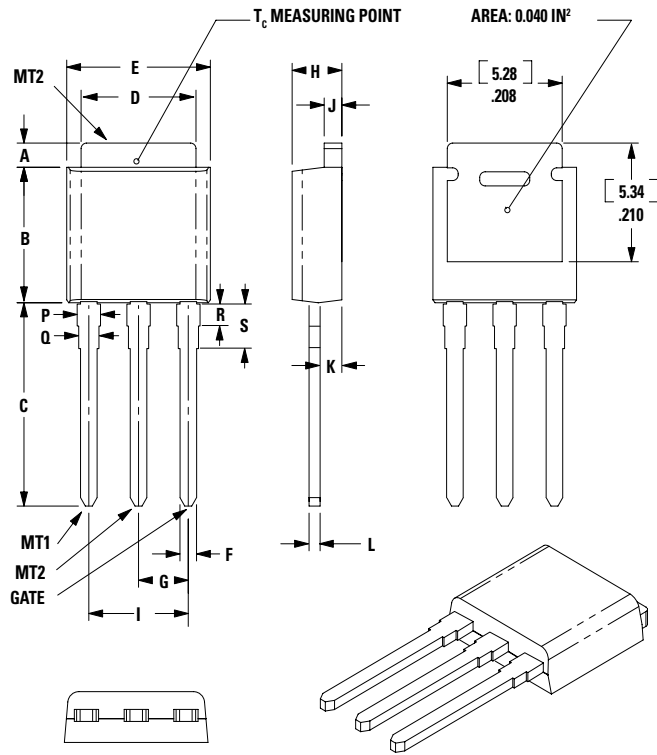
### Environmental Specifications

Test	Specifications and Conditions
<b>AC Blocking (<math>V_{DRM}</math>)</b>	MIL-STD-750, M-1040, Cond A Applied Peak AC voltage @ 150°C for 1008 hours
<b>Temperature Cycling</b>	MIL-STD-750, M-1051, 1000 cycles; -55°C to +150°C; 15-min dwell-time
<b>Temperature/Humidity</b>	EIA / JEDEC, JESD22-A101 1008 hours; 320 V - DC: 85°C; 85% rel humidity
<b>High Temp Storage</b>	MIL-STD-750, M-1031, 1008 hours; 150°C
<b>Low-Temp Storage</b>	1008 hours; -40°C
<b>Resistance to Solder Heat</b>	MIL-STD-750 Method 2031
<b>Solderability</b>	ANSI/J-STD-002, category 3, Test A
<b>Lead Bend</b>	MIL-STD-750, M-2036 Cond E

# LJxx08xx & QJxx08xHx & QJxx08xx Series

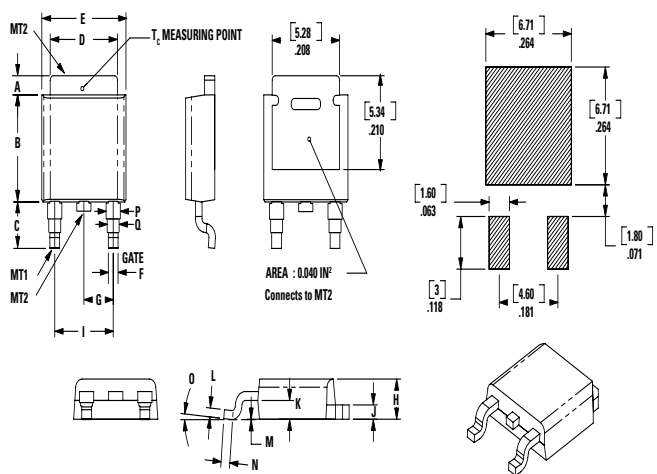
## 8 A High Temp Sensitive, Standard, & Alternistor (High Communication) TRIACs

### Dimensions – TO-251AA (V Package) – VPAK Through Hole



Dimension	Inches			Millimeters		
	Min	Typ	Max	Min	Typ	Max
A	0.037	0.040	0.043	0.94	1.01	1.09
B	0.235	0.242	0.245	5.97	6.15	6.22
C	0.350	0.361	0.375	8.89	9.18	9.53
D	0.205	0.208	0.213	5.21	5.29	5.41
E	0.255	0.262	0.265	6.48	6.66	6.73
F	0.027	0.031	0.033	0.69	0.80	0.84
G	0.087	0.090	0.093	2.21	2.28	2.36
H	0.085	0.092	0.095	2.16	2.34	2.41
I	0.176	0.180	0.184	4.47	4.57	4.67
J	0.018	0.020	0.023	0.46	0.51	0.58
K	0.035	0.037	0.039	0.90	0.95	1.00
L	0.018	0.020	0.023	0.46	0.52	0.58
P	0.042	0.047	0.052	1.06	1.20	1.32
Q	0.034	0.039	0.044	0.86	1.00	1.11
R	0.034	0.039	0.044	0.86	1.00	1.11
S	0.074	0.079	0.084	1.86	2.00	2.11

### Dimensions – TO-252AA (D Package) – DPAK Surface Mount

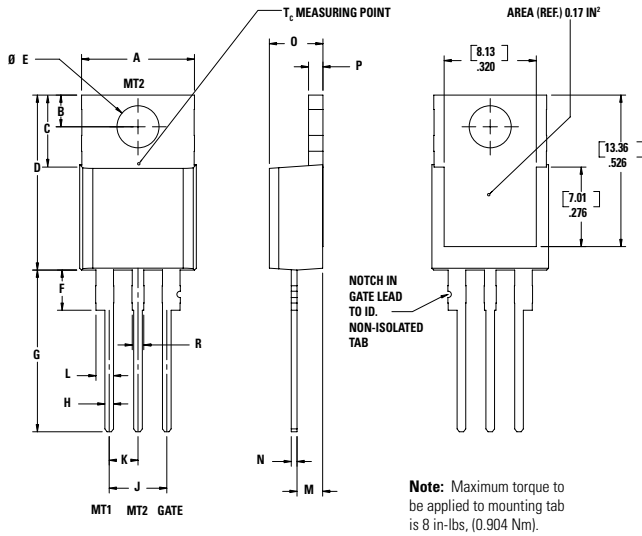


Dimension	Inches			Millimeters		
	Min	Typ	Max	Min	Typ	Max
A	0.037	0.040	0.043	0.94	1.01	1.09
B	0.235	0.243	0.245	5.97	6.16	6.22
C	0.106	0.108	0.113	2.69	2.74	2.87
D	0.205	0.208	0.213	5.21	5.29	5.41
E	0.255	0.262	0.265	6.48	6.65	6.73
F	0.027	0.031	0.033	0.69	0.80	0.84
G	0.087	0.090	0.093	2.21	2.28	2.36
H	0.085	0.092	0.095	2.16	2.33	2.41
I	0.176	0.179	0.184	4.47	4.55	4.67
J	0.018	0.020	0.023	0.46	0.51	0.58
K	0.035	0.037	0.039	0.90	0.95	1.00
L	0.018	0.020	0.023	0.46	0.51	0.58
M	0.000	0.000	0.004	0.00	0.00	0.10
N	0.021	0.026	0.027	0.53	0.67	0.69
O	0°	0°	5°	0°	0°	5°
P	0.042	0.047	0.052	1.06	1.20	1.32
Q	0.034	0.039	0.044	0.86	1.00	1.11

# LJxx08xx & QJxx08xHx & QJxx08xx Series

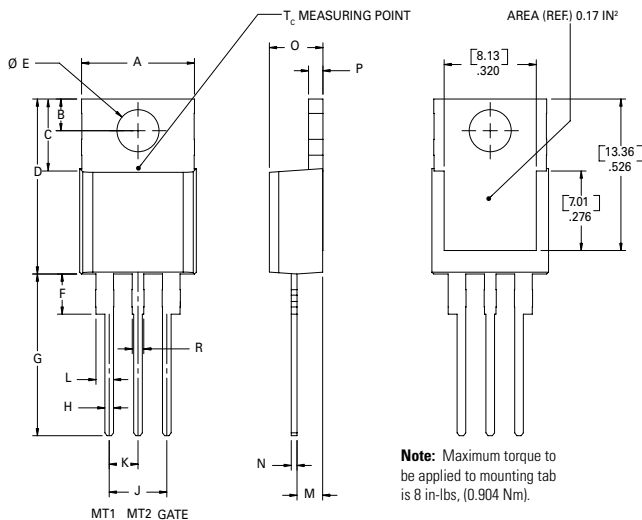
## 8 A High Temp Sensitive, Standard, & Alternistor (High Communication) TRIACs

### Dimensions – TO-220AB (R Package) – Non-Isolated Mounting Tab Common with Center Lead



Dimension	Inches		Millimeters	
	Min	Max	Min	Max
A	0.380	0.420	9.65	10.67
B	0.105	0.115	2.67	2.92
C	0.230	0.250	5.84	6.35
D	0.590	0.620	14.99	15.75
E	0.142	0.147	3.61	3.73
F	0.110	0.130	2.79	3.30
G	0.540	0.575	13.72	14.61
H	0.025	0.035	0.64	0.89
J	0.195	0.205	4.95	5.21
K	0.095	0.105	2.41	2.67
L	0.060	0.075	1.52	1.91
M	0.085	0.095	2.16	2.41
N	0.018	0.024	0.46	0.61
O	0.178	0.188	4.52	4.78
P	0.045	0.060	1.14	1.52
R	0.038	0.048	0.97	1.22

### Dimensions – TO-220AB (L Package) – Isolated Mounting Tab



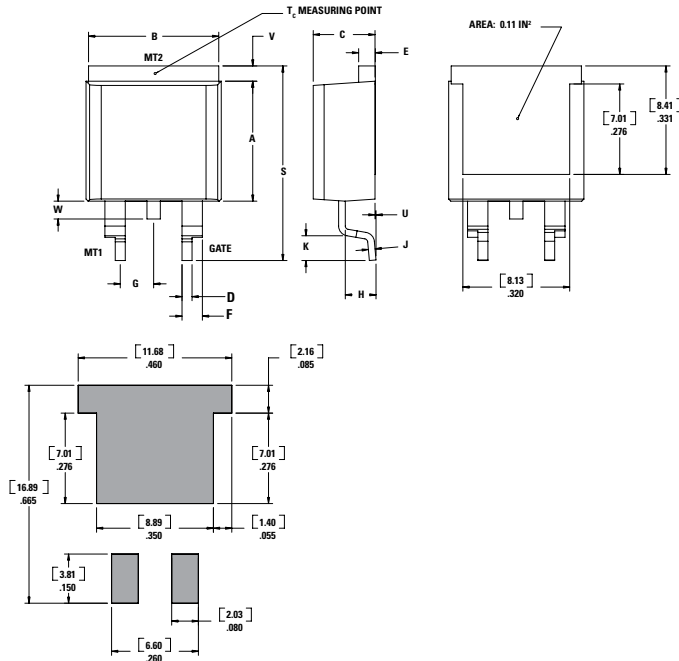
Dimension	Inches		Millimeters	
	Min	Max	Min	Max
A	0.380	0.420	9.65	10.67
B	0.105	0.115	2.67	2.92
C	0.230	0.250	5.84	6.35
D	0.590	0.620	14.99	15.75
E	0.142	0.147	3.61	3.73
F	0.110	0.130	2.79	3.30
G	0.540	0.575	13.72	14.61
H	0.025	0.035	0.64	0.89
J	0.195	0.205	4.95	5.21
K	0.095	0.105	2.41	2.67
L	0.060	0.075	1.52	1.91
M	0.085	0.095	2.16	2.41
N	0.018	0.024	0.46	0.61
O	0.178	0.188	4.52	4.78
P	0.045	0.060	1.14	1.52
R	0.038	0.048	0.97	1.22



# LJxx08xx & QJxx08xHx & QJxx08xx Series

## 8 A High Temp Sensitive, Standard, & Alternistor (High Communication) TRIACs

### Dimensions – TO-263AB (N Package) – D2PAK Surface Mount



Dimension	Inches		Millimeters	
	Min	Max	Min	Max
A	0.360	0.370	9.14	9.40
B	0.380	0.420	9.65	10.67
C	0.178	0.188	4.52	4.78
D	0.025	0.035	0.64	0.89
E	0.045	0.060	1.14	1.52
F	0.060	0.075	1.52	1.91
G	0.095	0.105	2.41	2.67
H	0.092	0.102	2.34	2.59
J	0.018	0.024	0.46	0.61
K	0.090	0.110	2.29	2.79
S	0.590	0.625	14.99	15.88
V	0.035	0.045	0.89	1.14
U	0.002	0.010	0.05	0.25
W	0.040	0.070	1.02	1.78

### Product Selector

Part Number	Voltage			Gate Sensitivity Quadrants		Type	Package
	400 V	600 V	800 V	I – II – III	IV		
LJxx08D8	x	x	-	10 mA	20 mA	Sensitive TRIAC	TO-252 D-AK
LJxx08V8	x	x	-	10 mA	20 mA	Sensitive TRIAC	TO-251 VPAK
QJxx08DH2	x	x	-	10 mA	-	Alternistor TRIAC	TO-252 DPAK
QJxx08VH2	x	x	-	10 mA	-	Alternistor TRIAC	TO-251 VPAK
QJxx08DH3	x	x	-	20 mA	-	Alternistor TRIAC	TO-252 DPAK
QJxx08VH3	x	x	-	20 mA	-	Alternistor TRIAC	TO-251 VPAK
QJxx08DH4	x	x	-	35 mA	-	Alternistor TRIAC	TO-252 DPAK
QJxx08VH4	x	x	-	35 mA	-	Alternistor TRIAC	TO-251 VPAK
QJxx08LH4	-	x	x	35 mA	-	Alternistor TRIAC	TO-220L
QJxx08RH4	-	x	x	35 mA	-	Alternistor TRIAC	TO-220R
QJxx08NH4	-	x	x	35 mA	-	Alternistor TRIAC	To-263 D <sup>2</sup> PAK
QJxx08L5	-	x	x	50 mA	-	Standard TRIAC	TO-220L
QJxx08R5	-	x	x	50 mA	-	Standard TRIAC	TO-220R
QJxx08N5	-	x	x	50 mA	-	Standard TRIAC	To-263 D <sup>2</sup> PAK

Note: xx=voltage/10

# LJxx08xx & QJxx08xHx & QJxx08xx Series

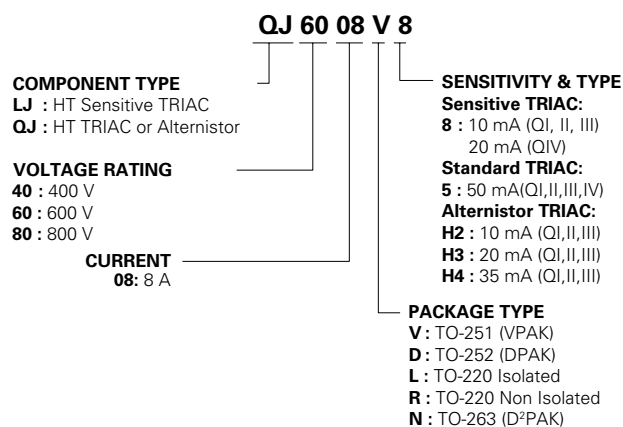
## 8 A High Temp Sensitive, Standard, & Alternistor (High Communication) TRIACs

### Packing Options

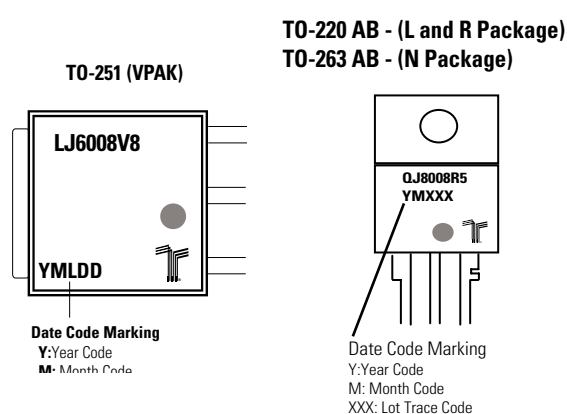
Part Number	Marking	Weight	Packing Mode	Base Quantity
LJxx08D8TP	LJxx08D8	0.3g	Tube Pack	750 (75 per tube)
LJxx08D8RP	LJxx08D8	0.3g	Embossed Carrier	2500
LJxx08V8TP	LJxx08V8	0.4g	Tube Pack	750 (75 per tube)
QJxx06VH2TP	QJxx08VH2	0.3g	Tube Pack	750 (75 per tube)
QJxx08DH2TP	QJxx08DH2	0.3g	Tube Pack	750 (75 per tube)
QJxx08DH2RP	QJxx08DH2	0.3g	Embossed Carrier	2500
QJxx08DH3TP	QJxx08DH3	0.3g	Tube Pack	750 (75 per tube)
QJxx08DH3RP	QJxx08DH3	0.3g	Embossed Carrier	2500
QJxx08VH3TP	QJxx08VH3	0.4g	Tube Pack	750 (75 per tube)
QJxx08DH4TP	QJxx08DH4	0.3g	Tube Pack	750 (75 per tube)
QJxx08DH4RP	QJxx08DH4	0.3g	Embossed Carrier	2500
QJxx08VH4TP	QJxx08VH4	0.4g	Tube Pack	750 (75 per tube)
QJxx08LH4TP	QJxx08LH4	2.2g	Tube Pack	1000 (50 per tube)
QJxx08RH4TP	QJxx08RH4	2.2g	Tube Pack	1000 (50 per tube)
QJxx08NH4TP	QJxx08NH4	1.6g	Tube Pack	1000 (50 per tube)
QJxx08NH4RP	QJxx08NH4	1.6g	Embossed Carrier	500
QJxx08L5TP	QJxx08L5	2.2g	Tube Pack	1000 (50 per tube)
QJxx08R5TP	QJxx08R5	2.2g	Tube Pack	1000 (50 per tube)
QJxx08N5TP	QJxx08N5	1.6g	Tube Pack	1000 (50 per tube)
QJxx08N5RP	QJxx08N5	1.6g	Embossed Carrier	500

Note: xx=voltage/10

### Part Numbering System



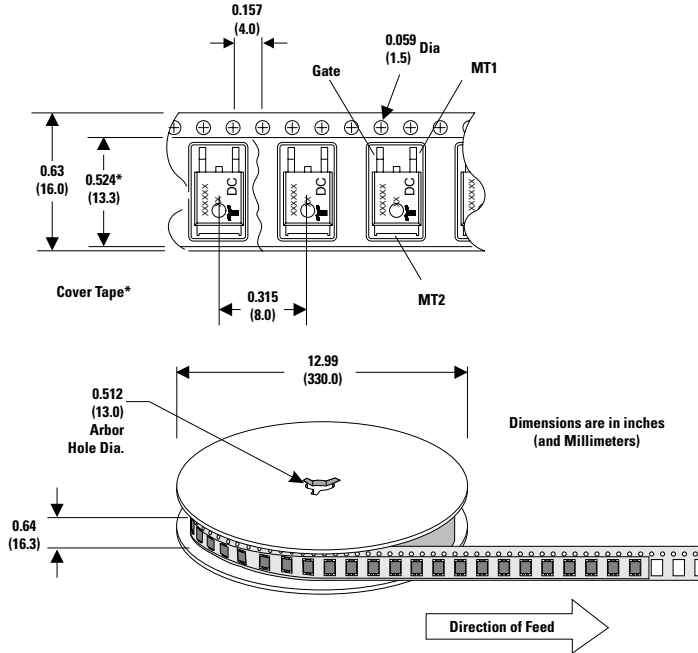
### Part Marking System



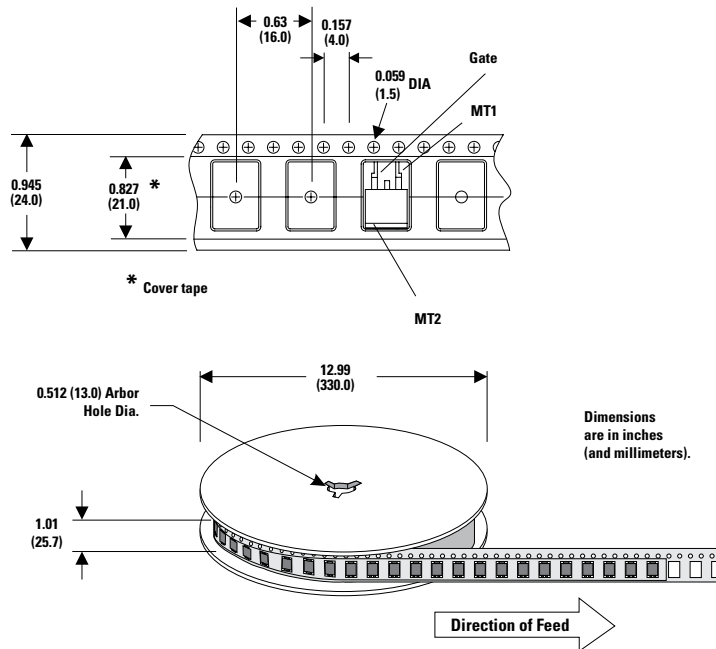
# LJxx08xx & QJxx08xHx & QJxx08xx Series

## 8 A High Temp Sensitive, Standard, & Alternistor (High Communication) TRIACs

### TO-252 Embossed Carrier Reel Pack (RP) Specifications (Meets all EIA-481-2 Standards)



### TO-263 Embossed Carrier Reel Pack (RP) Specifications (Meets all EIA-481-2 Standards)



**Disclaimer Notice**

Information furnished is believed to be accurate and reliable. However, users should independently evaluate the suitability of and test each product selected for their own applications. Littelfuse products are not designed for, and may not be used in, all applications. Read complete Disclaimer Notice at <http://www.littelfuse.com/disclaimer-electronics>.



Part of: **Littelfuse**  
Expertise Applied | Answers Delivered