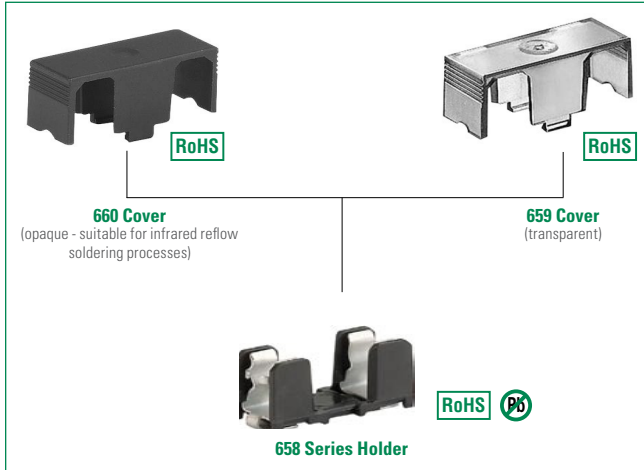


658 Series Molded Base Surface Mount Fuse Block For 5x20mm Fuses

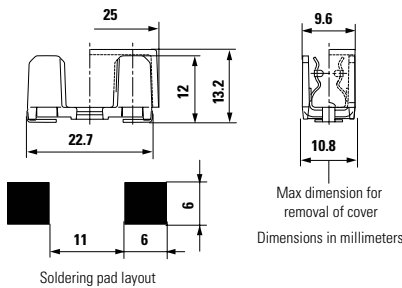


Agency Approval

Agency	Agency File Number
	40001499
	E70164*

*See Ordering Info

Dimensions

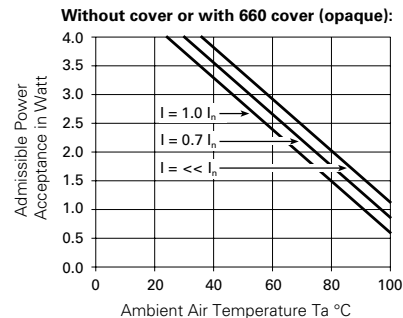
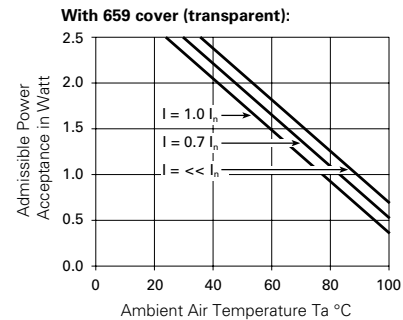


Product Characteristics

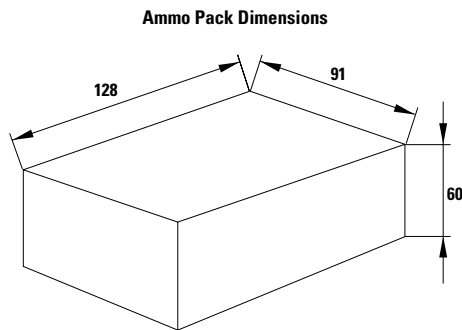
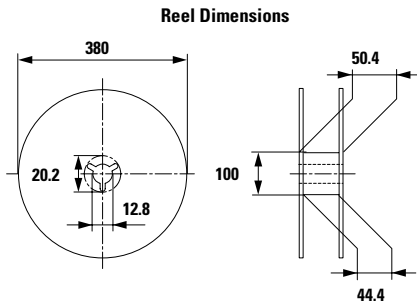
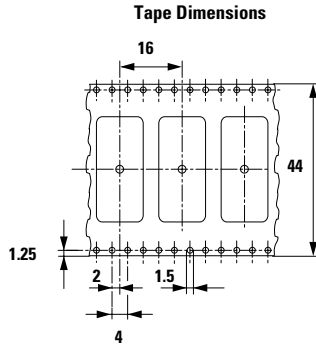
Compatible Fuse	5x20 mm
Materials	Clip Frame: 65800001xxx: UL94 V-0 Black Thermoplastic 65800003xxx: UL94 V-0 Black LCP 65800004xxx: UL94 V-0 Black LCP
	Clip Terminals: 65800001xxx: Tin (Sn) plated copper alloy 65800003xxx: Tin (Sn) plated copper alloy 65800004xxx: Gold (Au) plated copper alloy
	Electrical Data
Electrical Data	Rated Voltage: 250 Vac (VDE); 500 Vac/dc (UL/CSA)
	Rated Current: UL (16 A) VDE (10 A)
Electrical Data	Rated Power Acceptance (at ambient air temp 23 °C): - 4 W without cover - 4 W with 660 cover - 2.5 W with 659 cover
	Mounting
Operating Temperature	-40 °C to +85 °C
Stock Conditions	0 °C to +60 °C, max 70% Relative humidity
Vibration Resistance	According to IEC 60068-2-6, test Fc
Contact Resistance	< 5 mΩ at 20 mV
Dielectric Strength	> 3 kV, 50 Hz, 1 min.
Impulse Withstand Voltage	> 4 kV between L-N
Insulation Resistance	(500 V DC/1 min): >10 MΩ
Solderability	245 - 260 °C / max. 30 sec. acc. to JEDEC J-STD-020D
Soldering Profile	JEDEC J-STD-020C: - 65800001xxx: 245(+0/-5)°C / 30 sec max. - 65800003xxx: 260(+0/-5)°C / 30 sec max. - 65800004xxx: 260(+0/-5)°C / 30 sec max.

Note: If used with covers, refer to [Fuseology](#) for information on proper fuse block re-rating.

Re-Rating Curves



Packaging Dimensions (millimeter)



Ordering Information

65800001009	Fuse Holder - Thermoplastic / Tin terminals (100 pcs bulk)
65800001109	Fuse Holder - Thermoplastic / Tin terminals (400 pcs tape & reel)
65800003009	Fuse Holder - LCP plastic / Tin terminals (100 pcs bulk)
65800003109	Fuse Holder - LCP plastic / Tin terminals (400 pcs tape & reel)
65900001009*	Fuse Holder Cover - Transparent plastic (100 pcs bulk)
66000001009	Fuse Holder Cover - Opaque plastic, suitable for infrared (IR) reflow soldering processes (100 pcs bulk)

* Not UL Recognized

Additional Information



Datasheet
658 Series



Resources
658 Series



Samples
658 Series



659 Series

Resources
659 Series



Samples
659 Series



660 Series

Resources
660 Series



Samples
660 Series