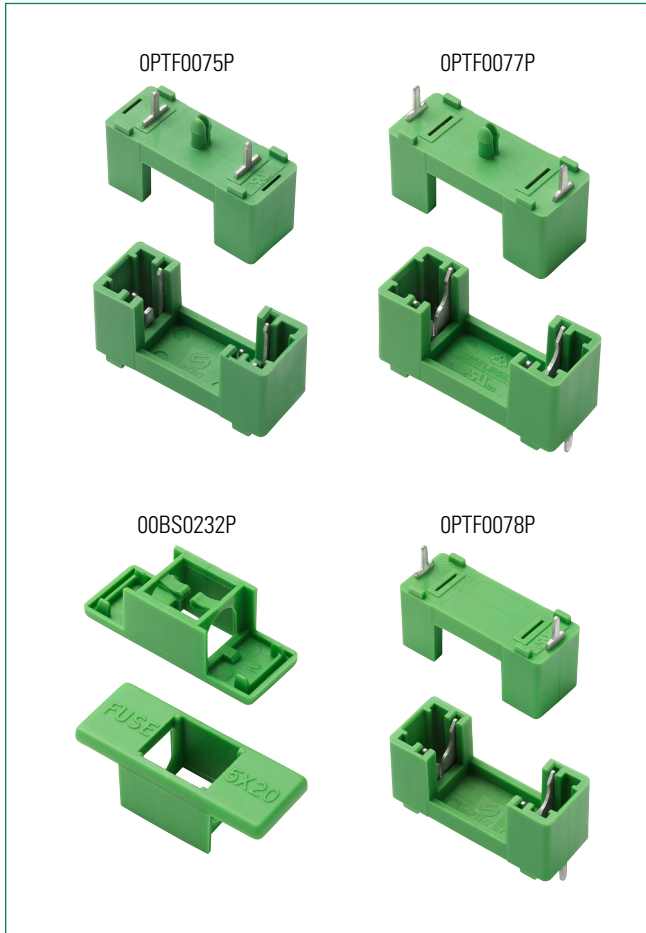


# Cartridge Fuse Blocks

OPTF0075P, OPTF0077P, and OPTF0078P > Circuit Board Mountable



## Product Characteristics

OPTF0075P/OPTF0077P/OPTF0078P	
<b>Compatible Fuses</b>	5x20 mm
<b>Electrical Specifications</b>	Rated Voltage: 250 V
	Rated Current: 6.3 A
	Rated Power: 1.6 W
<b>Materials</b>	Molded Holder (Block) and Cover: Green VE PA6/66 (UL94 V-0)
	PCB Terminals: Tin plated brass
<b>Protection Class &amp; Category</b>	PC1 (IEC 60127-6)
<b>Contact Resistance</b>	≤ 5 mΩ
<b>Degree of Protection</b>	IP 00
<b>Ambient Temperature</b>	-30 °C to 120 °C
<b>Solder Pot Temperature</b>	260 °C
<b>Solder Dwell Time</b>	10 seconds

## Features and Benefits

- RoHS compliant and Lead-free
- UL recognized to UL 4248-1
- Include version of plug in to maintain the fuseblock into the correct position, while soldering process
- Low profile design for PC board mountable terminals for Pb-free wave soldering process
- Tin-plated leads for easy soldering process

## Ordering Information

Ordering PN	Description	Packaging
OPTF0075P	Horizontal Mount	1000 pieces, bulk pack
OPTF0077P	Horizontal Mount	1000 pieces, bulk pack
OPTF0078P	Horizontal Mount	1000 pieces, bulk pack
00BS0232P	Cover	1000 pieces, bulk pack

**Note**  
Panel minimum 0,8 mm and maximum 4,5 mm

## Agency Approvals

Agency	Agency File Number
	E14721
	7316
	97121

## Additional Information



Resources



Accessories

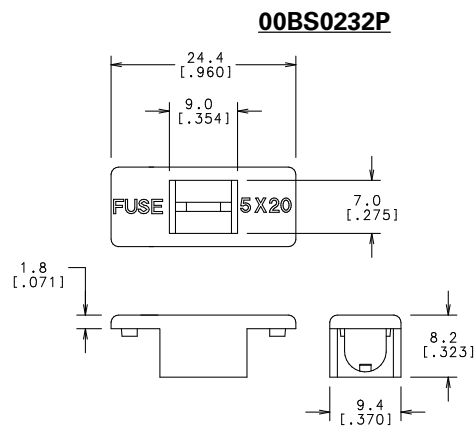
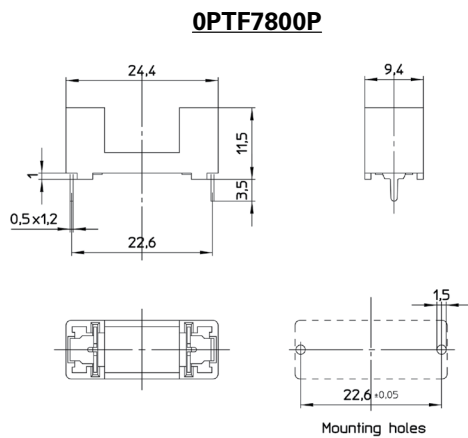
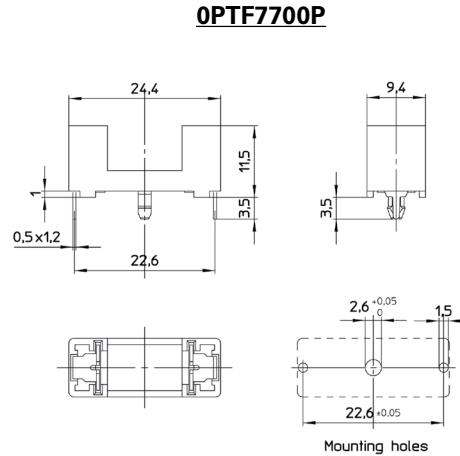
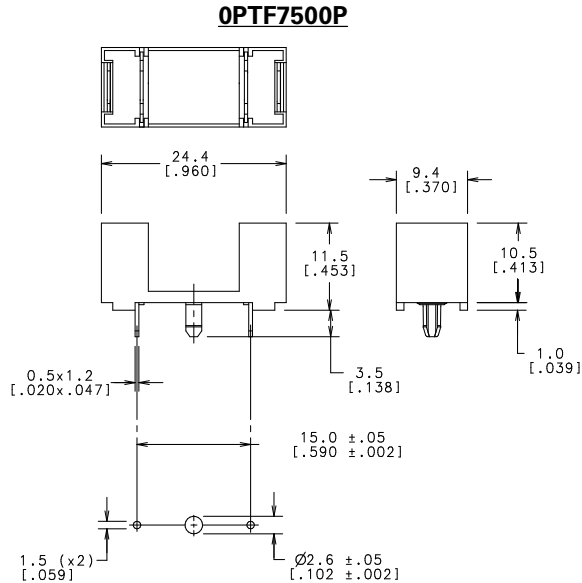


Samples

# Cartridge Fuse Blocks

OPTF0075P, OPTF0077P, and OPTF0078P > Circuit Board Mountable

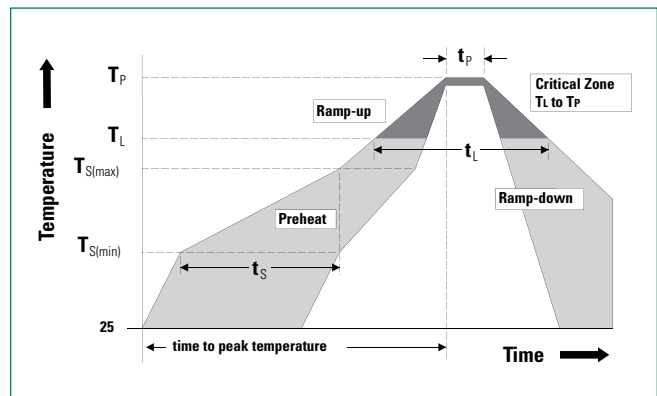
## Product Dimensions (in mm)



## Soldering Parameters—Wave Soldering

Wave Parameter	Lead-Free Recommendation
<b>Preheat:</b> (Depends on Flex Activation Temperature)	(Typical Industry Recommendation)
Temperature Minimum	100° C
Temperature Maximum	150° C
Preheat Time	60–180 seconds
<b>Solder Pot Temperature</b>	260° C Maximum
<b>Solder Dwell Time</b>	2–5 seconds

**Recommended Hand-Solder Parameters:**  
Solder Iron Temperature: 350° C +/- 5° C  
Heating Time: 5 seconds max.



**Disclaimer Notice** - Information furnished is believed to be accurate and reliable. However, users should independently evaluate the suitability of and test each product selected for their own applications. Littelfuse products are not designed for, and may not be used in, all applications. Read complete Disclaimer Notice at <http://www.littelfuse.com/disclaimer-electronics>.