

Cable Fuses - CablePro®

Rated 32 V DC



Specifications

| | |
|-------------------------------------|-----------------|
| Voltage Rating: | 32 V DC |
| Current Cycling: | 24°C |
| Operating Temperature Range: | -40°C to +125°C |
| Complies with: | JASO 0612 |
| Fuse housing: | PPA-GF33 |
| Insulator housing: | PA-GF30 |



Cable Fuses - CablePro®

Description

CablePro® automotive inline fuses come attached to insulated 32 V cables with cross-sections of between 5 mm² and 25 mm².

All-in-one design allows the inline fuses to deliver materials savings while providing predictable time-delay circuit protection similar to MEGA® Slo-Blo® fuses. Please know that CablePro fuses are not sealed. Applying a shrink tube before installing one of these fuses

Features & Benefits

- Time-delayed
- Available with ratings of 60 A to 200 A
- 60 A, 100 A, 150 A, and 200 A fuses with FL2G cables are UL Recognized
- Available with FL2G cables that comply with SAE J1127 SXT, SAE J1128 TXL, and ISO 6722 standards and operate at up to 125 °C

Applications

- Cars
- Trucks
- SUVs
- Offroad vehicles
- Watercraft as approved by Littelfuse

Cable Fuses - CablePro®

Rated 32 V DC

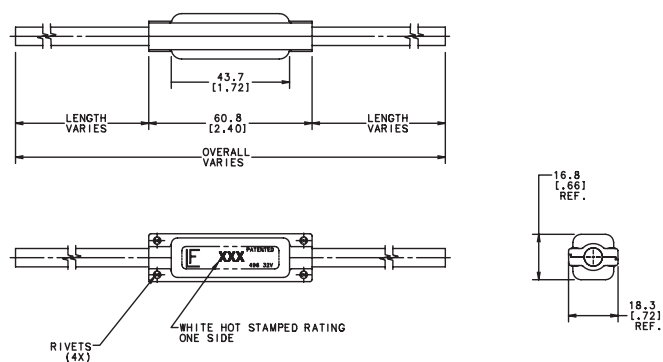
Ratings

| Part Number | Current Rating | Wire Size | Cold Resistance | I ² t |
|-------------|----------------|--------------------------|-----------------|------------------|
| 0496060_1 | 60 A | 5mm ² (10AWG) | 0.920 mΩ | – |
| 0496080_ | 80 A | 8mm ² (8AWG) | 0.689 mΩ | – |
| 0496100_1 | 100 A | 8mm ² (8AWG) | 0.460 mΩ | – |
| 0496125_ | 125 A | 13mm ² (6AWG) | 0.390 mΩ | – |
| 0496150_1 | 150 A | 19mm ² (4AWG) | 0.346 mΩ | – |
| 0496175_ | 175 A | 19mm ² (4AWG) | 0.268 mΩ | – |
| 0496200_1 | 200 A | 19mm ² (4AWG) | 0.173 mΩ | – |
| 0496200_1 | 200 A | 25mm ² | – | – |

Note 1: Short circuit protectors only. Contact Littelfuse for complete part numbers.

Dimensions

Dimensions in mm



Cable Fuses - CablePro®

Rated 32 V DC

Time-Current Characteristics

| % of Rating | Opening Time Min / Max (s) |
|-------------|----------------------------|
| 100 | 360,000 / - |
| 135 | 120 / 1800 |
| 200 | 10 / 300 |
| 350 | 1 / 15 |
| 600 | 0.30 / 5 |