

Accessories

EFCT SERIES CURRENT TRANSFORMER



Current Sensor



Description

The EFCT series is a sensitive nickel-core current transformer used with Littelfuse relays to detect low levels of earth-leakage current.

Accessories



EFCT-1FC Flux Conditioner

used with the EFCT-1 to reduce saturation and prevent false operation due to large surge currents.

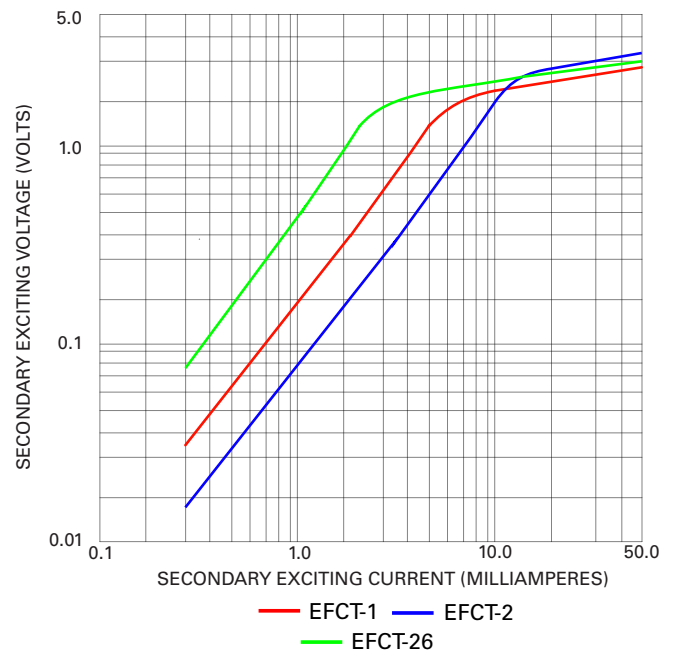
Ordering Information

| ORDERING NUMBER | WINDOW SIZE, ID | WEIGHT |
|-----------------|-----------------|---------------|
| EFCT-26 | 26 mm (1.0") | 0.4 kg (1 lb) |
| EFCT-1 | 82 mm (3.2") | 0.9 kg (2 lb) |
| EFCT-2 | 139 mm (5.5") | 2.7 kg (6 lb) |

Specifications

| | |
|------------------------------|---|
| Turns Ratio | 100:1 |
| Current Rating | 5:0.05 A |
| Accuracy | 3% @ 0.01 VA |
| Frequency | 50 to 400 Hz ¹ 0 to 6 kHz for EL731 |
| Insulation Level | 600 V |
| Operating Temperature | -55 to 60°C (-67 to 140°F) |
| Application | EL731, FPU-32, FPS, MPU-32, MPS, SE-330, SE-701, SE-703 |
| Certification | CSA, UL, CE |
| Compliance | RoHS, IEC 60044-1 |

Note: ¹ Frequency response may be extended for specific product families.



Accessories

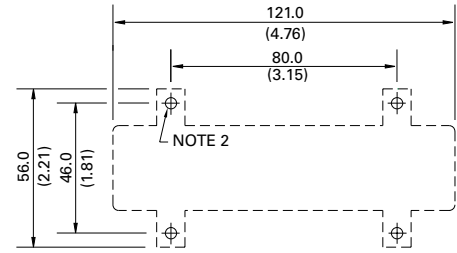
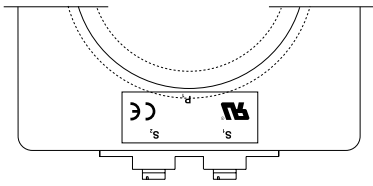
EFCT SERIES CURRENT TRANSFORMER

Dimensions and Mounting Diagram

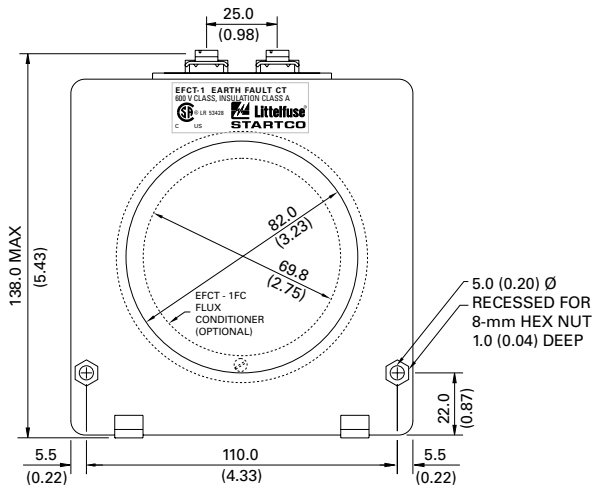
EFCT-1

NOTES:

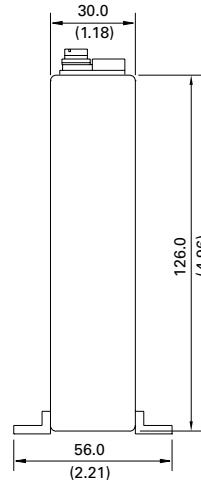
1. DIMENSIONS IN MILLIMETRES (INCHES).
2. MOUNTING SCREWS: M4 OR 8-32.
3. PRESS MOUNTING FEET IN PLACE USING INSTALLATION TOOL PROVIDED.
4. RoHS COMPLIANT.
5. EN 60044-1 COMPLIANT.



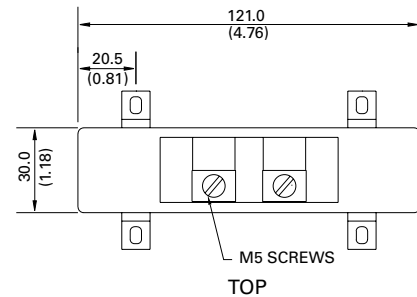
MOUNTING DETAIL



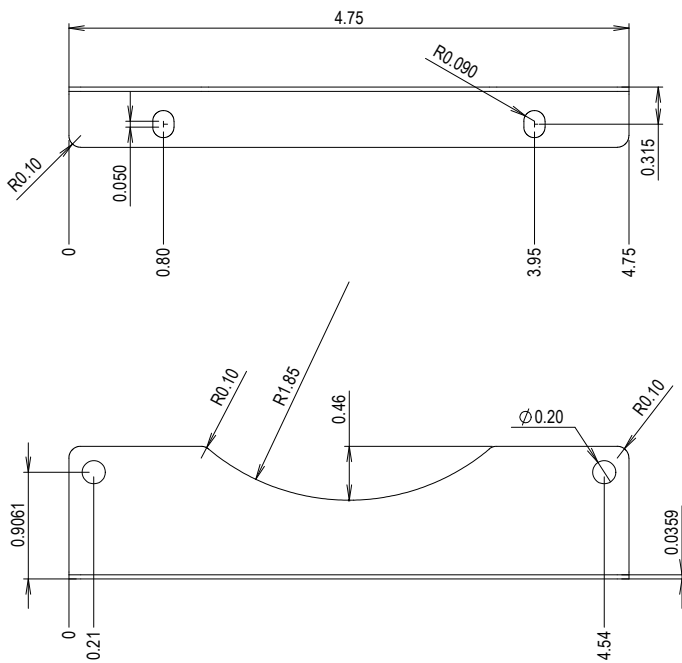
FRONT



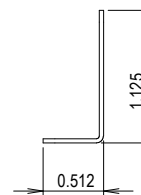
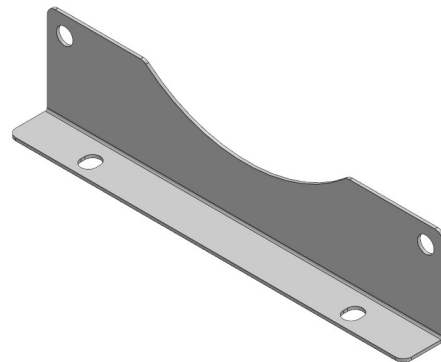
SIDE



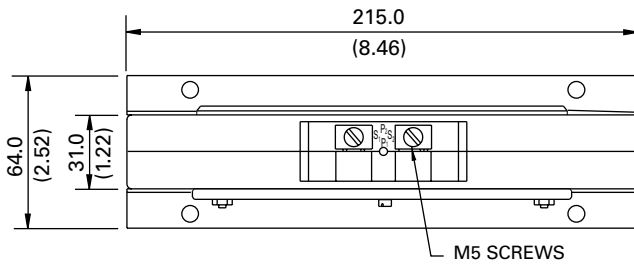
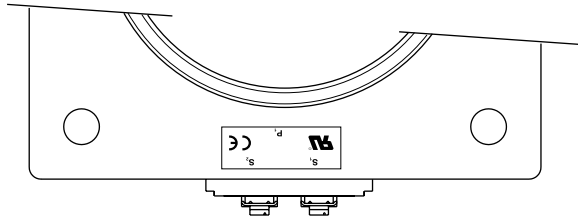
TOP



MOUNTING FEET



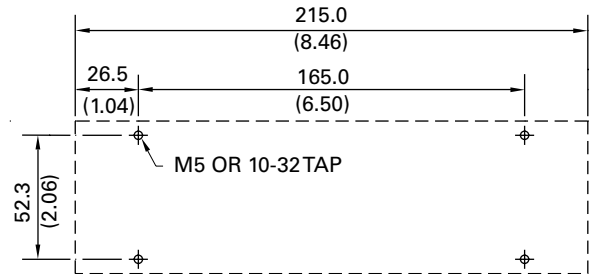
Dimensions and Mounting Diagram
EFCT-2



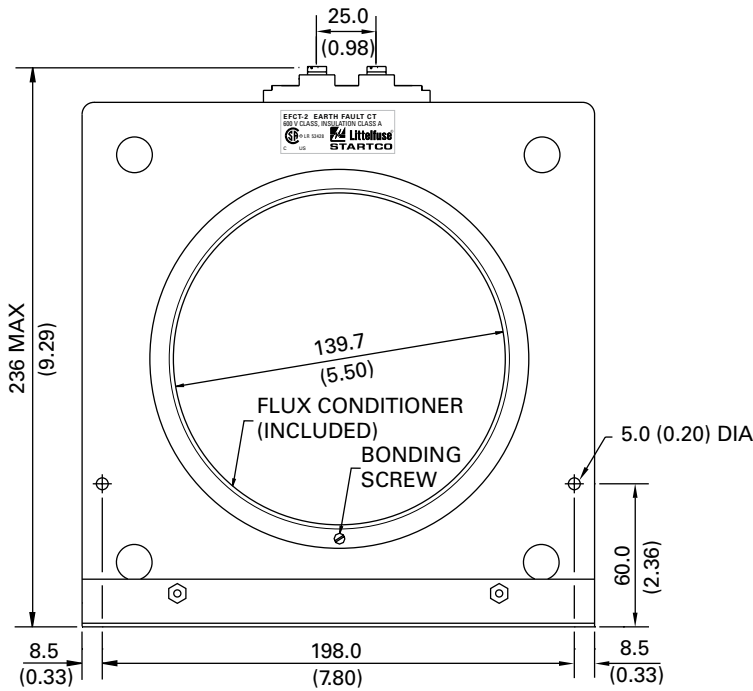
TOP

NOTES:

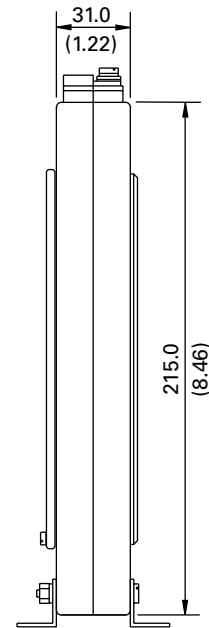
1. DIMENSIONS IN MILLIMETRES (INCHES).
2. MOUNTING SCREWS: M5 OR 10-32.
3. RoHS COMPLIANT.
4. EN 60044-1 COMPLIANT.



MOUNTING DETAIL



FRONT



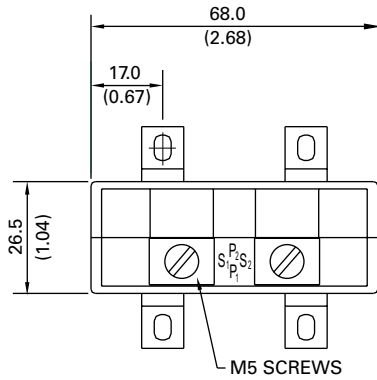
SIDE

Accessories

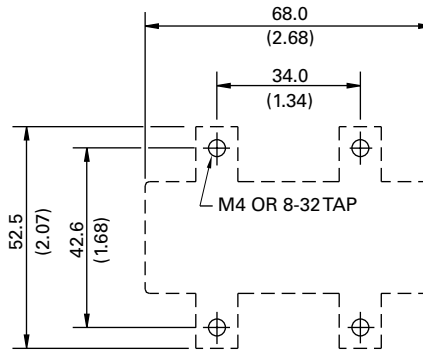
EFCT SERIES CURRENT TRANSFORMER

Dimensions and Mounting Diagram

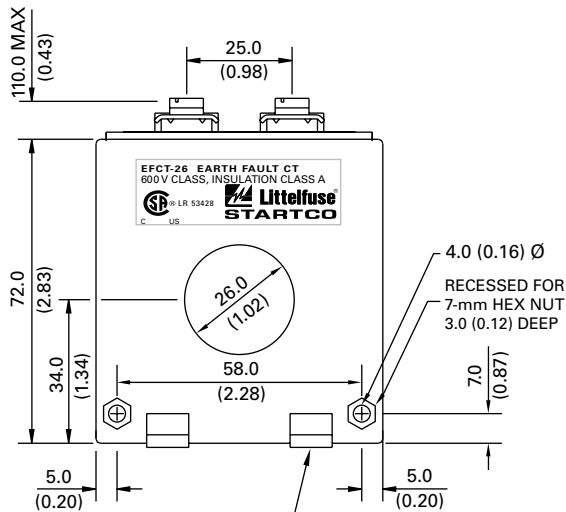
EFCT-26



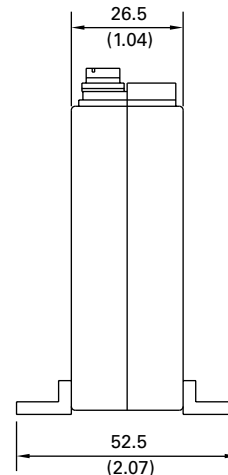
TOP



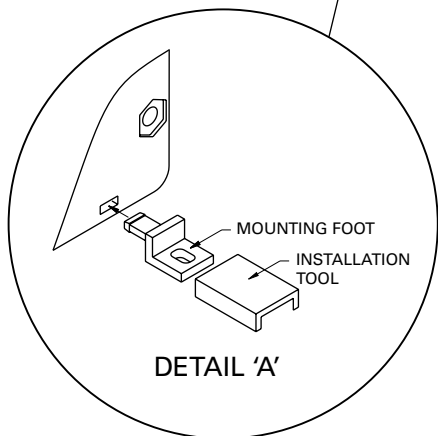
MOUNTING DETAIL



FRONT



SIDE



DETAIL 'A'

NOTES:

1. DIMENSIONS IN MILLIMETRES (INCHES).
2. MOUNTING SCREWS: M4 OR 8-32.
3. PRESS MOUNTING FEET IN PLACE USING INSTALLATION TOOL PROVIDED. (DETAIL 'A')
4. RoHS COMPLIANT.
5. EN 60044-1 COMPLIANT.
6. NOT ALL CERTIFICATIONS SHOWN.

Disclaimer Notice – Information furnished is believed to be accurate and reliable. However, users should independently evaluate the suitability of and test each product selected for their own applications. Littelfuse products are not designed for, and may not be used in, all applications. Read complete Disclaimer Notice at www.littelfuse.com/product-disclaimer.