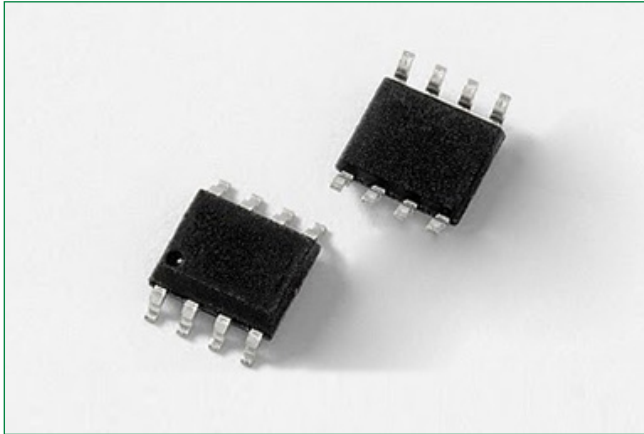


B61089QDR, Dual port negative voltage tracking SLIC protector SOP-8

Programmable Battery tracking protection



Description

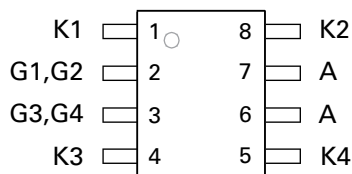
The B61089QDR is a dual channel SLIC (Subscriber Line Interface circuit) battery tracking protector. It consists of two pairs of identical protection thyristors integrated with two anti-series diodes to protect the SLIC against lightning induced surges and power fault events. It is designed specifically for dense component PC boards in modern telecom and datacom applications where space is a concern.

The gated thyristor protectors which have crowbarbing function, provide tracking battery protection down to -170V. The anti-series diode provides protection of positive surge events by diverting the surge energy to the ground.

The B61089QDR has a robust surge current capability which helps the telecom and datacom products to comply with different surge standards such as Telcordia GR-1089, ITU-T K.20, K.21 and YD/T950. For compliance with Enhanced Levels test conditions of ITU-T, TIA968-B, or GR-1089, additional series resistance in the Tip / Ring pairs may be required.

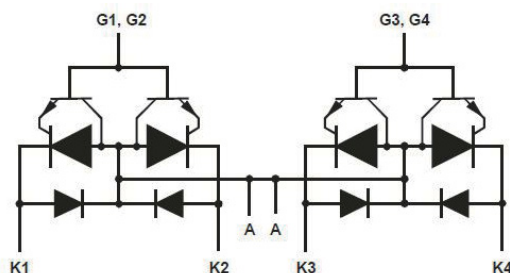
The SLIC chipset voltage reference may change as the on-hook/off-hook line condition changes. Therefore, this component is referenced to the -VBAT so that its negative protection threshold follows this changing reference voltage level. This B61089QDR utilizes a transistor gain network so that a low 5 mA current level will activate the thyristor based portion of this protector component during negative events. This also allows an easier turn on during slow rising power fault events. For all positive disturbances, the fast switching diode connected to earth reference will provide the needed protection.

Pinout Designation



Pin #	Pin Name	Description
1, 4, 5, 8	K1, K3, K4, K2	Connect to subscriber lines (Tip/Ring)
2, 3	G1, G2, G3, G4	Connect to battery (Reference Voltage)
6, 7	A	Connect to ground (earth)

Schematic Symbol



Features

- Dual port negative voltage tracking programmable component
- Supports battery voltages down to -170V
- Low gate triggering current 5 mA max
- Fails in a short circuit condition when it is surged in excess of its ratings to protect all downstream equipment
- Surge capability does not degrade after multiple surge events within its ratings
- High holding current -150mA min
- Specified 2/10 limiting voltage
- Integrated diodes for positive surge protection
- MSL: Level 1 - unlimited
- RoHS compliant and lead-free

Applicable Global Standards

- Wireless In the Local Loop (WLL)
- Voice applications which require regenerated POTS
- VoIP applications
- PBX
- FXS applications
- Digital Pair Gain systems (DPG) and Digital Loop Carrier systems (DLC)
- Small Office Home Office (SOHO)

B61089QDR, Dual port negative voltage tracking SLIC protector SOP-8

Programmable Battery tracking protection

Absolute Maximum Ratings ($T_A = 25^\circ\text{C}$)

Symbol	Parameter	Test Conditions	Value	Unit
I_{PPSM}^*	Non-repetitive peak on-state pulse current	10/1000 μs	35	A
		5/310 μs	65	
		2/10 μs	180	
		8/20 μs	170	
I_{TSM}/I_{FSM}^*	Non repetitive peak on-state current, 50Hz/60Hz	0.5s	12	A
		1s	9	
		5s	7	
		30s	4	
		900s	3	
I_{GSM}^*	Non repetitive peak gate current, 2/10 μs pulse, cathodes commoned		40	A
V_{DRM}	Repetitive peak off-state voltage, $V_{GK}=0$		-170	V
V_{GKRM}	Repetitive peak gate-cathode voltage, $V_{KA}=0$		-167	V
T_A	Operating free-air temperature range		-40 - 85	$^\circ\text{C}$
T_{STG}	Storage temperature range		-40 - 150	$^\circ\text{C}$
T_J	Junction temperature		-40 - 150	$^\circ\text{C}$
T_L	Maximum lead temperature for soldering during 10s		260	$^\circ\text{C}$
$R_{\theta JA}$	Junction to ambient thermal resistance	$P_{tot} = 0.8 \text{ W}, T_A = 25^\circ\text{C}, 5 \text{ cm}^2, \text{FR4 PCB}$	160	$^\circ\text{C/W}$

* Notes :

- Initially the protector must be in thermal equilibrium with $T_J=25^\circ\text{C}$. The surge may be repeated after the component returns to its initial conditions.

- These non-repetitive rated currents are peak values for either polarity. The rated current values may be applied to any cathode-anode terminal pair. Additionally, all cathode-anode terminal pairs may have their rated current values applied simultaneously (in this case the anode terminal current will be four times the rated current value of an individual terminal pair).

Electrical Characteristics

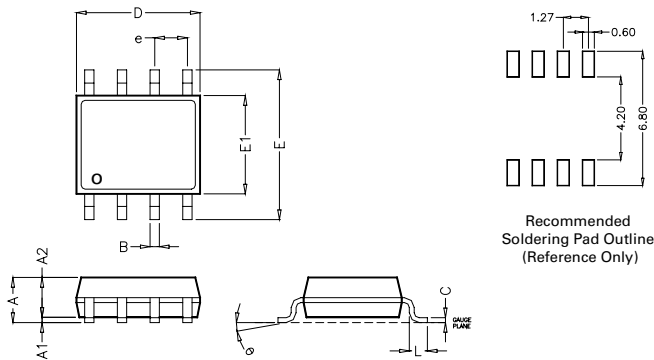
Symbol	Parameter	Test Conditions	Max	Unit
V_F	Forward voltage	$I_F=5\text{A}, t_w=200\mu\text{s}$	3	V
V_{FRM}	Impulse peak forward recovery voltage	2/10 μs , $I_{TM}=-27\text{A}, R_s=50\Omega, di/dt=-27\text{A}/\mu\text{s}$	12	V
I_D	Off-state current	$V_D = V_{DRM}, V_{GK}=0, T_J=25^\circ\text{C}$	-5	μA
$V_{(BO)}$	Impulse breakover voltage	2/10 μs , $I_{TM}=-27\text{A}, R_s=50\Omega, di/dt=-27\text{A}/\mu\text{s}, V_{GG}=-100\text{V}$	-115	V
$V_{GK(BO)}$	Gate-cathode impulse breakover voltage	2/10 μs , $I_{TM}=-27\text{A}, R_s=50\Omega, di/dt=-27\text{A}/\mu\text{s}, V_{GG}=-100\text{V}$	20	V
I_H	Holding current	$I_T=-1\text{A}, di/dt=1\text{A}/\text{ms}, V_{GG}=-100\text{V}$	-150 (min)	mA
I_{GKS}	Gate reverse current	$V_{GG}=V_{GK}=V_{GKRM}, V_{KA}=0, T_J=25^\circ\text{C}$	-5	μA
I_{GT}	Gate trigger current	$I_T=-3\text{A}, t_{plg}^* \geq 20\mu\text{s}, V_{GG}=-100\text{V}, T_J=25^\circ\text{C}$	5	mA
V_{GT}	Gate trigger voltage	$I_T=-3\text{A}, t_{plg}^* \geq 20\mu\text{s}, V_{GG}=-100\text{V}$	2.5	V
C_{KA}	Cathode-anode off-state capacitance	$f=1\text{MHz}, V_d=1\text{V}, I_G=0, V_D=-3\text{V}$	100	pF
		$f=1\text{MHz}, V_d=1\text{V}, I_G=0, V_D=-48\text{V}$	50	

* T_{plg} : gate pulse time

B61089QDR, Dual port negative voltage tracking SLIC protector SOP-8

Programmable Battery tracking protection

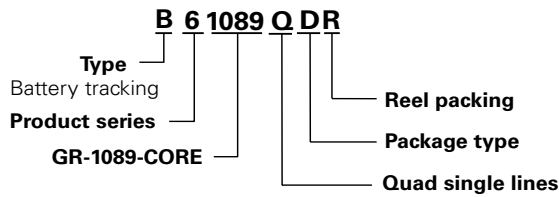
Dimensions – MS-012 (SOP-8)



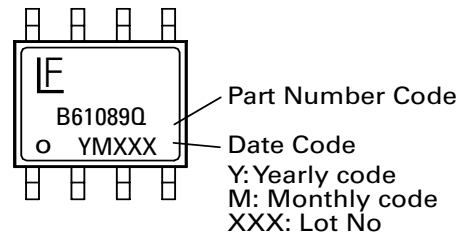
Dimension	Inches		Millimeters	
	MIN	MAX	MIN	MAX
A	0.053	0.069	1.35	1.75
A1	0.004	0.010	0.10	0.25
A2	0.043	0.065	1.25	1.65
B	0.012	0.020	0.31	0.51
C	0.007	0.010	0.17	0.25
D	0.189	0.197	4.80	5.00
E	0.228	0.244	5.80	6.20
E1	0.150	0.157	3.80	4.00
e	0.050 BSC*		1.27 BSC*	
L	0.016	0.050	0.40	1.27

* BSC = Basic Spacing between Centers

Part Numbering



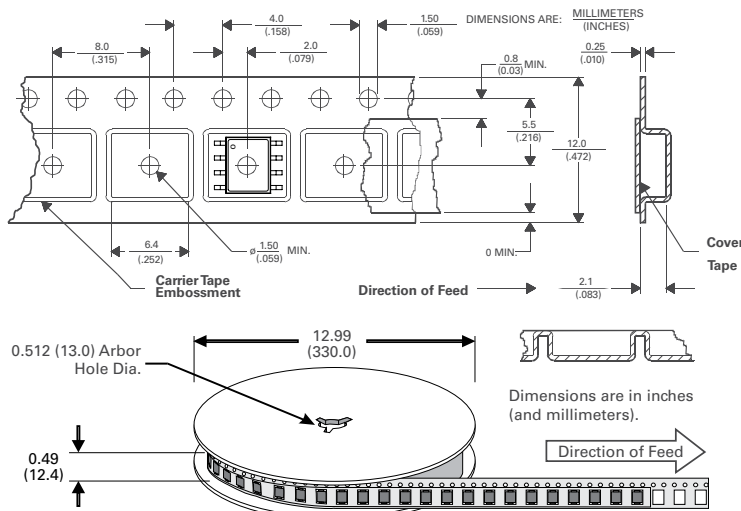
Part Marking



Packing Options

Package Type	Description	Quantity	Added Suffix	Industry Standard
D	MS-012 SMT 8-pin SOP-8 Tape and Reel Pack	2500	N/A	EIA-481-D

Tape and Reel Specifications – MS-012 (SOP-8)



B61089QDR, Dual port negative voltage tracking SLIC protector SOP-8

Programmable Battery tracking protection

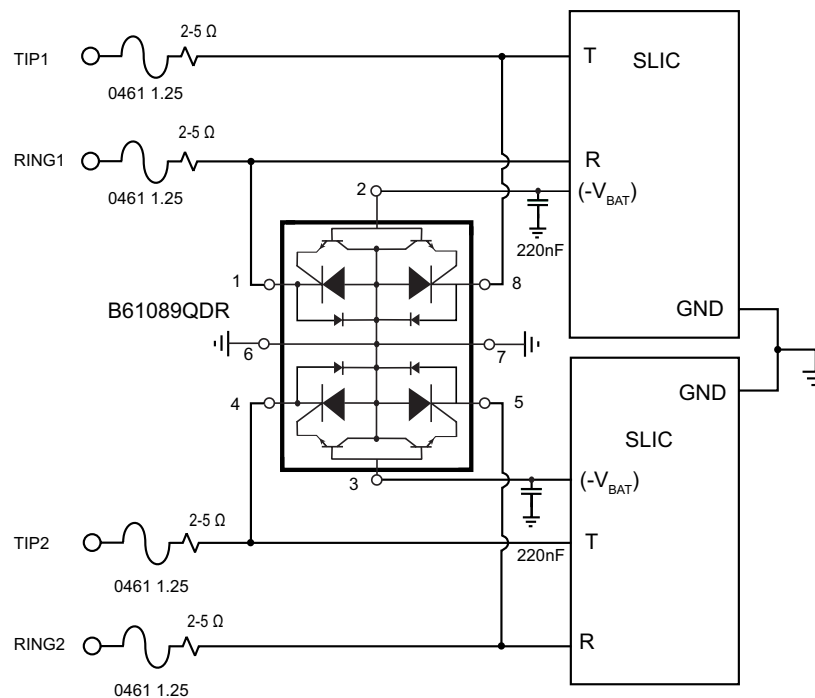
Application Note

This B61089QDR MS-012 SMT (SOP-8) Dual port Batrax[®] is specifically designed to provide surge protection for SLIC (Subscriber Line Interface Circuit) cards implementing negative ringing only. This single 8-pin component provides protection for two SLIC ports (T1/R1 & T2/R2) by shunting positive and negative surges to the ground reference.

The negative surges are diverted to ground through the SCRs which are connected between the TIP/RING conductors and the ground reference. These SCRs have a transistor buffered gate that provides a low current magnitude trigger level; typically 5 mA or less. The SCRs will reset when the magnitude of the loop current drops below the component's holding current parameter I_H . The fast switching diodes will turn on for any positive surge event $> 3V$ between tip and ground or between ring and ground.

This SCR's turn-on threshold for negative polarity events tracks the negative reference voltage ($-V_{BAT}$) of the SMART SLIC component. As the line conditions change from off-hook to on-hook, the SLIC reference voltage level will also change in an effort to conserve energy. The negative tracking protection component will typically operate at a voltage of $-1.4V$ below $-V_{BAT}$ during negative surge conditions or power fault events.

The two gate capacitors, which act as charge reservoirs, supply the needed current to trigger the thyristor components to the on-state and should be physically located in close proximity to the B61089QDR gate (pins 2&3). During slow rising ac power fault events, the discharge current of the capacitor ($I_c = C dv/dt$) easily achieves the 5 mA threshold to activate the SCR. This solution below will comply with the power fault and surge requirements of GR-1089 Intra-building Port Type and the Basic level of ITU K20/21. For GR-1089 Port Type 3 and Enhanced level of ITU K20/21, the series resistor value may need to be increased. The TeleLink fuse complies with both GR-1089 intra-building and inter-building requirements and both Basic and Enhanced levels of the ITU Recommendations.



Product Disclaimer - Littelfuse products are not designed for, and shall not be used for, any purpose (including, without limitation, automotive, military, aerospace, medical, life-saving, life-sustaining or nuclear facility applications, devices intended for surgical implant into the body, or any other application in which the failure or lack of desired operation of the product may result in personal injury, death, or property damage) other than those expressly set forth in applicable Littelfuse product documentation. Warranties granted by Littelfuse shall be deemed void for products used for any purpose not expressly set forth in applicable Littelfuse documentation. Littelfuse shall not be liable for any claims or damages arising out of products used in applications not expressly intended by Littelfuse as set forth in applicable Littelfuse documentation. The sale and use of Littelfuse products is subject to Littelfuse Terms and Conditions of Sale, unless otherwise agreed by Littelfuse. "Littelfuse" includes Littelfuse, Inc., and all of its affiliate entities.

<https://www.littelfuse.com/legal/disclaimers/product-disclaimer.aspx>