

# INSULATING NUTS FOR CF8 FUSE

RoHS



## Specifications

Material: Thermoplastic, Duroplastic  
 Packaging Unit: Pos.1 = 250 pieces  
 Pos.2 + 3 = 100 pieces

## Ordering Information

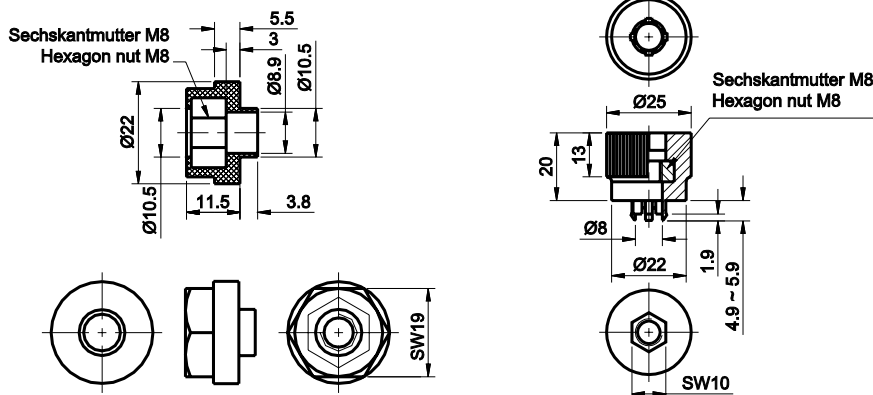
Part Number	Package Size
255.0808.xxx1	250
255.0899.xxx1	100

## Description

Insulating nuts for CF8 Fuse links.

## Dimensions

Dimensions in mm



## Ratings

Part Number	Description	Contact Temperature
255.0808.0001	Insulating nut (Duroplastic)	max. 300 A (23°C+5°C)
255.0899.4001	Insulating nut with locking hook 4.9 mm (Thermoplastic) (Red)	max. 150 A (23°C+5°C)
255.0899.5001	Insulating nut with locking hook 5.9 mm (Thermoplastic) (Black)	max. 150 A (23°C+5°C)

Corresponding fuse links see Section "Bolt-Down Fuses."  
 If the ring terminal makes contact with the terminal fuse stud, the fuse is bypassed and is not protecting the circuit.