

FBA5 SERIES ATO FUSE BLOCKS



Description

FBA5 Series ATO Fuse Blocks protect up to 5 circuits with combinations of ATO fuses rated up to 15A per fuse and supports up to 20A of continuous current. The removable clear cover helps protect the fuses from debris and accidental dislodgement while also allowing for easy visual identification of a blown fuse (especially when used with ATO Smart Glow fuses). Quick Connect terminals offer easy wiring and are positioned at either the side or the bottom of the box. Detachable side-mounting brackets included with bottom terminal version, optional for side terminal.

Applications

- Accessory Lighting
- Audio / Display Equipment
- Communications Equipment

Web Resources

Download 2D print and technical resources at:
littelfuse.com/FBA5

Ordering Information

| PART NUMBER | DESCRIPTION | MAX VOLTAGE | TERMINALS | MAX CONTINUOUS CURRENT |
|-------------|--|-------------|-------------------------|------------------------|
| 03500417TXN | 5 Position ATO Fuse Block - Box | | Side ¼" Quick Connect | 20A |
| 03500417Z | 5 Position ATO Fuse Block - Bulk | | Side ¼" Quick Connect | 20A |
| 03500417XP | 5 Position ATO Fuse Block - Carded Retail Pack | | Side ¼" Quick Connect | 20A |
| 03500418Z | 5 Position ATO Fuse Block - Bulk | | Bottom ¼" Quick Connect | 30A |
| 03500418XP | 5 Position ATO Fuse Block - Carded Retail Pack | | Bottom ¼" Quick Connect | 30A |



Visit Littelfuse.com for the most up-to-date product information. Littelfuse products are designed for specific applications and should not be used for any purpose (including, without limitation, automotive applications) not expressly set forth in applicable Littelfuse product documentation. Warranties granted by Littelfuse shall be deemed void for products used for any purpose not expressly set forth in applicable Littelfuse product documentation. Littelfuse shall not be liable for any claims or damages arising out of products used in applications not expressly intended by Littelfuse as set forth in applicable Littelfuse product documentation.

Features and Benefits

- Compact design consolidates protection for 5 circuits
- Removable clear protective cover keeps debris away from fusing - good for use with ATO Smart Glow fuses
- Bottom- or Side-facing Quick Connect terminals
- Available detachable side-mounting brackets

Specifications Overview

Max Fuse Rating: 15A

Max Voltage:

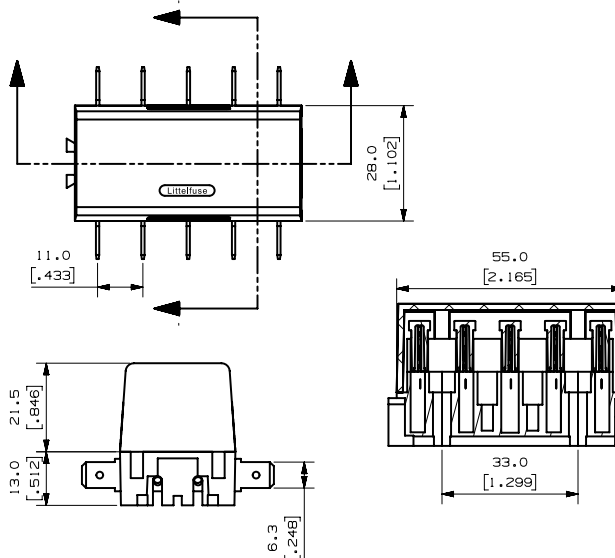
Recommended Fuses



ATO Fuses and ATO Smart Glow Fuses

32V DC Fast Acting
Automotive Blade Fuse

Dimension in MM



* Dimensions shown are for 03500417Z, Dimensions may vary per part number