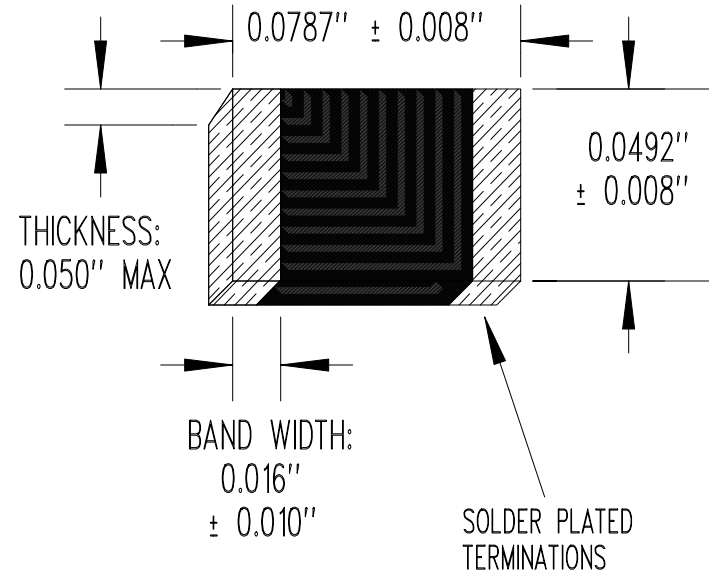


| RESISTANCE/TEMPERATURE TABLE |              |              |              |
|------------------------------|--------------|--------------|--------------|
| TEMP<br>(°C)                 | RESIS<br>(Ω) | TEMP<br>(°C) | RESIS<br>(Ω) |
| -40                          | 1,751,230    | 45           | 21,122       |
| -35                          | 1,265,506    | 50           | 17,278       |
| -30                          | 923,946      | 55           | 14,209       |
| -25                          | 681,159      | 60           | 11,745       |
| -20                          | 506,809      | 65           | 9,755        |
| -15                          | 380,388      | 70           | 8,140        |
| -10                          | 287,873      | 75           | 6,824        |
| -5                           | 219,579      | 80           | 5,744        |
| 0                            | 168,742      | 85           | 4,856        |
| 5                            | 130,602      | 90           | 4,124        |
| 10                           | 101,769      | 95           | 3,516        |
| 15                           | 79,817       | 100          | 3,009        |
| 20                           | 62,987       | 105          | 2,585        |
| 25                           | 50,000       | 110          | 2,228        |
| 30                           | 39,938       | 115          | 1,928        |
| 35                           | 32,104       | 120          | 1,673        |
| 40                           | 25,965       | 125          | 1,456        |



RESISTANCE @ +25°C = 50,000 Ω ± 5%  
 BETA "β" (+25 TO +85°C) = 4,150°K NOMINAL  
 POWER RATING = 240 mW  
 OPERATING TEMPERATURE RANGE = -40 TO +125°C

SEE MANUFACTURING SPECIFICATION (LAYER 1)

|      |                         |          |     |
|------|-------------------------|----------|-----|
| A    | POWER RATING WAS 300 mW | 09/14/17 | MW  |
| NONE | RELEASE TO PRODUCTION   | 02/26/04 | DD  |
| REV  | REVISION RECORD         | DATE     | APP |

|                         |   |
|-------------------------|---|
| SCALE NONE              | <b>U.S. SENSOR CORP.</b><br>1832 W. COLL INS AVE.<br>ORANGE, CA. 92867<br>714-639-1000 www.ussensor.com |
| DRAWN BY<br>DAN DANKERT |   |
| DATE 02/26/04           |   |
| REV. A                  |   |
| LAYER 0 OF 2            | THERMISTOR, NTC CHIP<br>P/N KR503LOJ  |