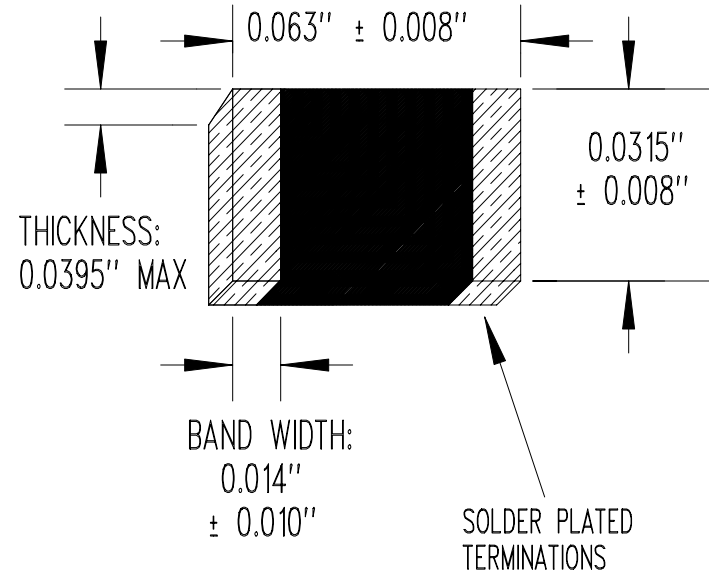


RESISTANCE/TEMPERATURE TABLE			
TEMP (°C)	RESIS (Ω)	TEMP (°C)	RESIS (Ω)
-40	112,679	45	2,390
-35	84,326	50	2,012
-30	63,750	55	1,702
-25	48,659	60	1,447
-20	37,477	65	1,234
-15	29,112	70	1,057
-10	22,798	75	909.5
-5	17,990	80	785.2
0	14,300	85	680.3
5	11,446	90	591.6
10	9,221	95	516.3
15	7,476	100	452.0
20	6,096	105	396.9
25	5,000	110	349.7
30	4,124	115	308.9
35	3,420	120	273.6
40	2,852	125	243.1



RESISTANCE @ +25°C = 5,000 Ω ± 5%
 BETA "β" (+25 TO +85°C) = 3,550°K NOMINAL
 POWER RATING = 150 mW
 OPERATING TEMPERATURE RANGE = -40 TO +125°C

SEE MANUFACTURING SPECIFICATION (LAYER 1)

NONE	RELEASE TO PRODUCTION	12/11/03	DD
REV	REVISION RECORD	DATE	APP

SCALE	NONE	U.S. SENSOR CORP. 1832 W. COLLINS AVE. ORANGE, CA 92867 714-639-1000 www.ussensor.com
DRAWN BY	DAN DANKERT	
DATE	12/11/03	
REV	NONE	
LAYER	0 OF 2	
		THERMISTOR, NTC CHIP
		P/N RB502F0J