

Installation Instructions

BMZB Series Battery Mount ZCASE Fuse Holder with Busbar

Part Numbers: FHZ310 and FHZ410



Expertise Applied | Answers Delivered

Description

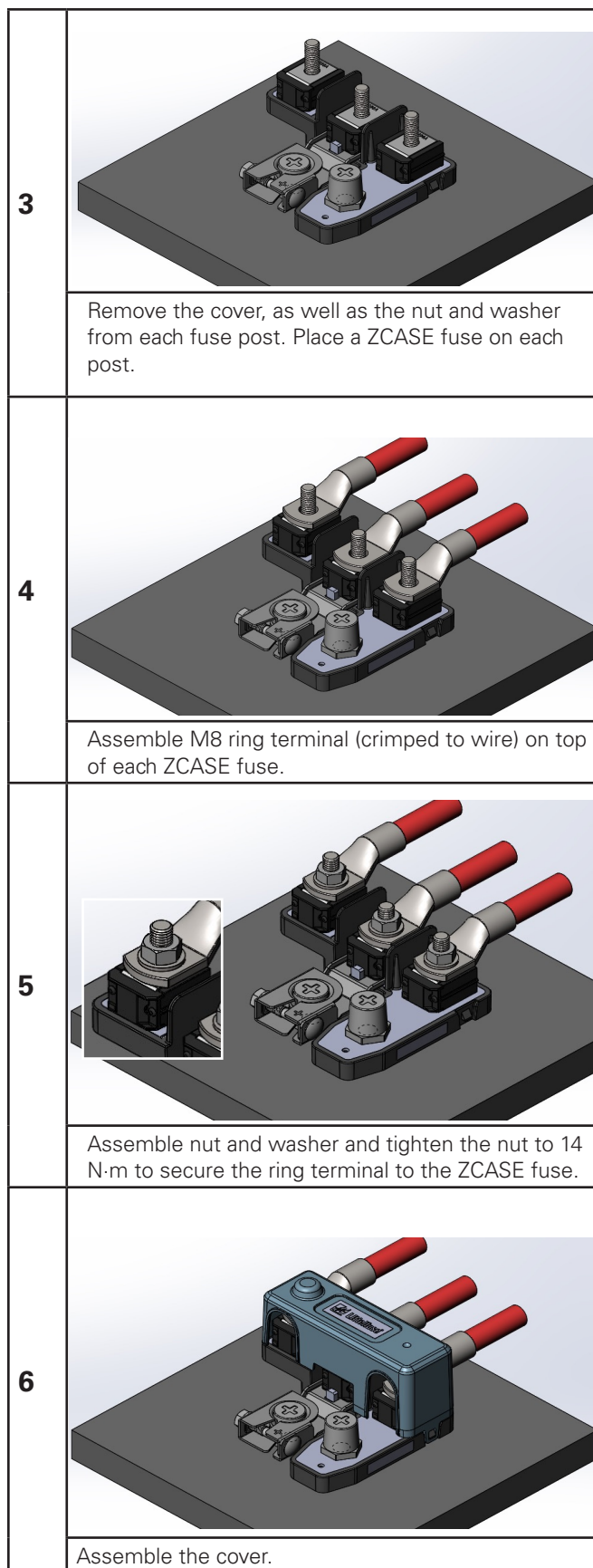
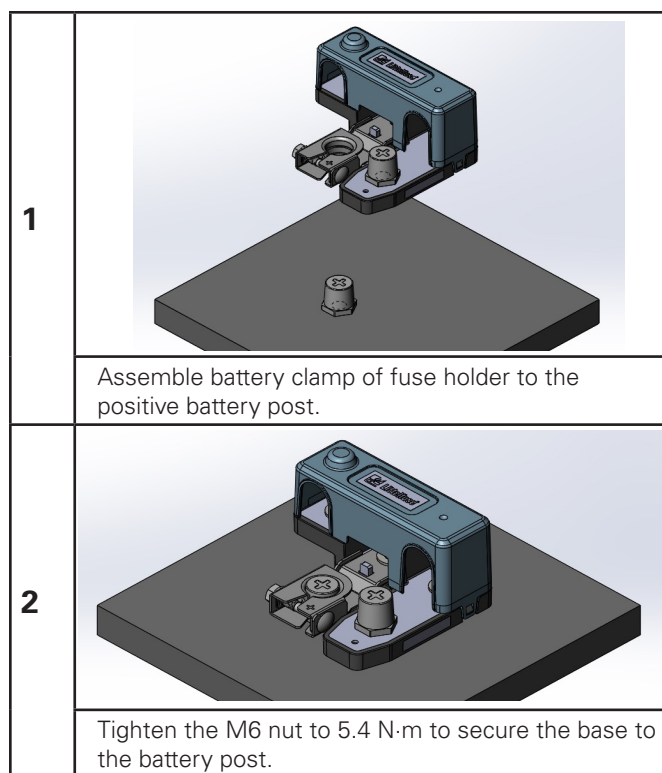
The Battery Mount ZCASE Fuse Holder with Busbar (BMZB) series allows you to mount fusing directly to a post style battery terminal. This series offers a compact solution with an integrated busbar, which will consolidate the need for additional or complex wiring around a battery system. This product is designed to mate with Littelfuse's M6 ZCASE fuse, and is rated to operate with fuse ratings up to 400A.

This series comes with all necessary hardware preassembled and serves to provide scalable circuit protection.

Installation for FHZ310

Following the below sequence to install the Fuse Holder:

1. Assemble battery clamp of fuse holder to the positive battery post.
2. Tighten the M6 nut to 5.4 N·m to secure the base to the battery post.
3. Remove the cover, as well as the nut and washer from each fuse post. Place a ZCASE fuse on each post.
4. Assemble M8 ring terminal (crimped to wire) on top of each ZCASE fuse.
5. Re-assemble nut and washer on top of each ring terminal, tightening each nut to 14 Nm to secure to each ZCASE fuse.
6. Assemble the cover.



Installation Instructions

BMZB Series Battery Mount ZCASE Fuse Holder with Busbar

Part Numbers: FHZ310 and FHZ410

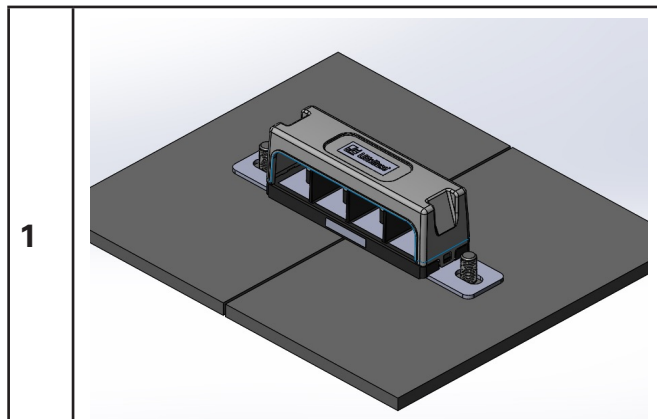


Expertise Applied | Answers Delivered

Installation for FHZ410

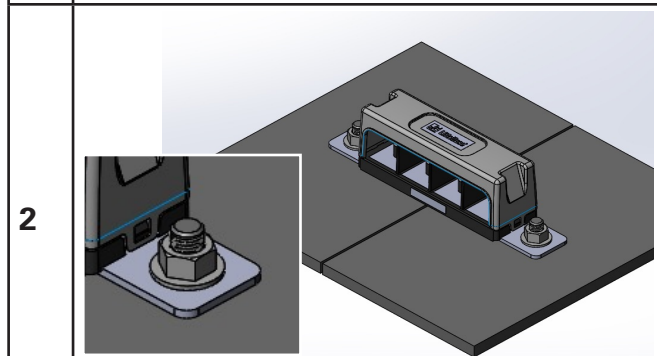
Following the below sequence to install the Fuse Holder:

1. Place fuse holder onto two mounting studs.
2. Tighten each nut to its respective stud, according to torque recommended by mounting surface.
3. Remove cover, as well as each post's nut and washer.
4. Assemble ZCASE fuse to each post, followed by ring terminal (crimped to wire) on top of each ZCASE fuse.
5. Assemble nut and washer to each post, and tighten the nut to 14 N·m to secure the ring terminal to the ZCASE fuse.
6. Assemble the cover.



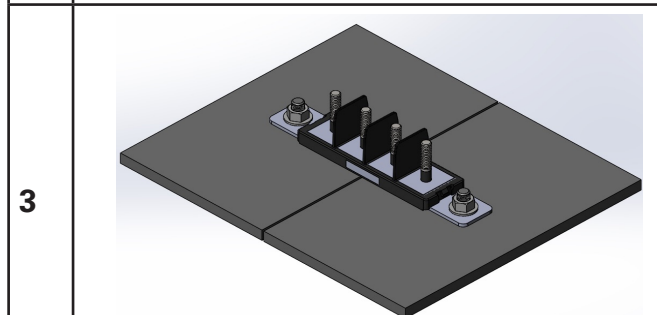
1

Place fuse holder onto two mounting studs.



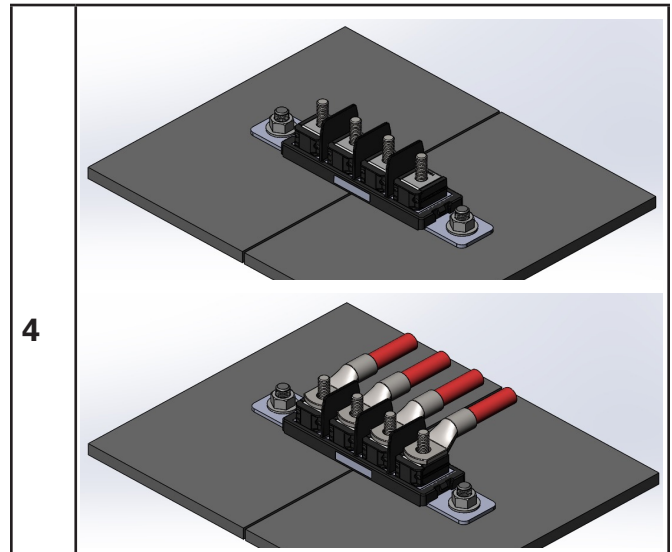
2

Tighten each nut to its respective stud, according to torque recommended by mounting surface.



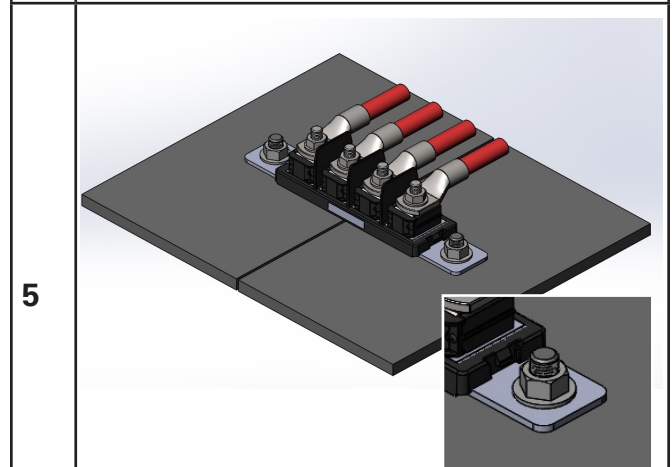
3

Remove cover, as well as each post's nut and washer.



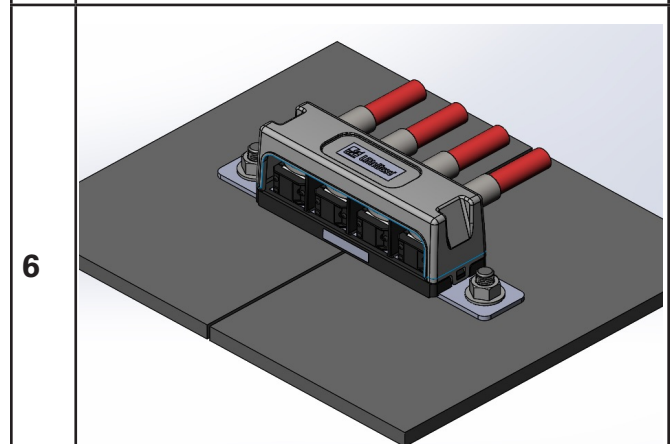
4

Assemble ZCASE fuse to each post, followed by ring terminal (crimped to wire) on top of each ZCASE fuse.



5

Assemble nut and washer to each post, and tighten the nut to 14 N·m to secure the ring terminal to the ZCASE fuse.



6

Assemble the cover.