

Specification Status: Released

Electrical Rating

Voltage: 16V_{DC} MAX

Current: 40A MAX

Insulating Material:

Cured Flame Retardant Epoxy Polymer

meets

UL 94-V-O Requirements

Lead Material:

24 AWG Tin Plated Copper Clad

Steel

Marking:

— Manufacturer's Mark
XX R90 and Part Identification

□□□□ — Lot Identification

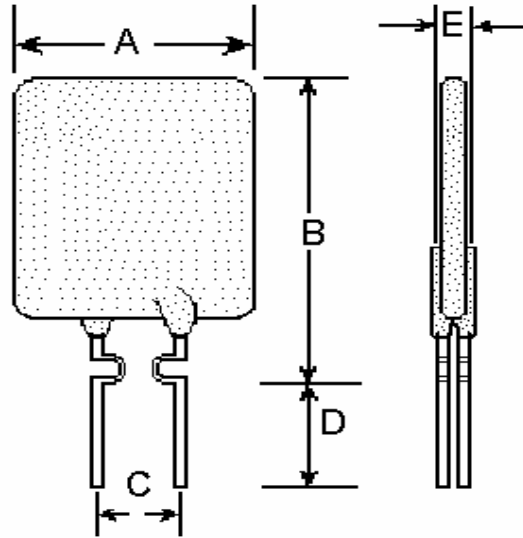


TABLE I. DIMENSIONS:

	A		B		C		D		E	
	MIN	MAX	MIN	MAX	MIN	MAX	MIN	MAX	MIN	MAX
mm:	--	7.4	--	12.2	4.3	5.8	7.6	--	--	3.1
in*:	--	(0.29)	--	(0.48)	(0.17)	(0.23)	(0.30)	--	--	(0.12)

TABLE II. PERFORMANCE RATINGS:

I HOLD RATED CURRENT	CURRENT RATINGS		INITIAL RESISTANCE VALUES			ONE HOUR POST-TRIP RESISTANCE STANDARD TRIP	TIME TO TRIP @ 8A	TRIPPED-STATE POWER DISSIPATION
	AMPERES AT 20°C HOLD	AMPERES AT 20°C TRIP	OHMS AT 20°C					
0.90	0.90	1.80	MIN	TYP	MAX	OHMS AT 20°C MAX	SECONDS AT 20°C	WATTS AT 20°C
			0.07	0.10	0.12	0.18	1.2	0.6

Recognitions: UL, CSA, TUV
 Reference Documents: PS300
 Precedence: This specification takes precedence over documents referenced herein.
 Effectivity: Reference documents shall be the issue in effect on the date of invitation for bid.
 CAUTION: Operation beyond the rated voltage or current may result in rupture, electrical arcing or flame.

Materials Information

ROHS Compliant

ELV Compliant

Pb-Free

Halogen Free*

Directive 2002/95/EC Compliant

Directive 2000/53/EC Compliant



* Halogen Free refers to: Br≤900ppm, Cl≤900ppm, Br+Cl≤1500ppm.

Information furnished is believed to be accurate and reliable. However, users should independently evaluate the suitability of and test each product selected for their own applications. Littelfuse products are not designed for, and shall not be used for, any purpose (including, without limitation, military, aerospace, medical, lifesaving, life-sustaining or nuclear facility applications, devices intended for surgical implant into the body, or any other application in which the failure or lack of desired operation of the product may result in personal injury, death, or property damage) other than those expressly set forth in applicable Littelfuse product documentation. Warranties granted by Littelfuse shall be deemed void for products used for any purpose not expressly set forth in applicable Littelfuse documentation. Littelfuse shall not be liable for any claims or damages arising out of products used in applications not expressly intended by Littelfuse as set forth in applicable Littelfuse documentation. The sale and use of Littelfuse products is subject to Littelfuse Terms and Conditions of Sale, unless otherwise agreed by Littelfuse.