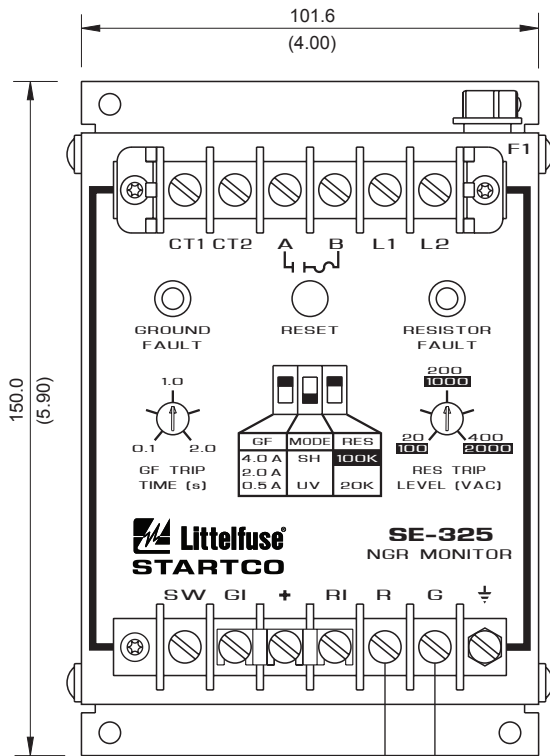


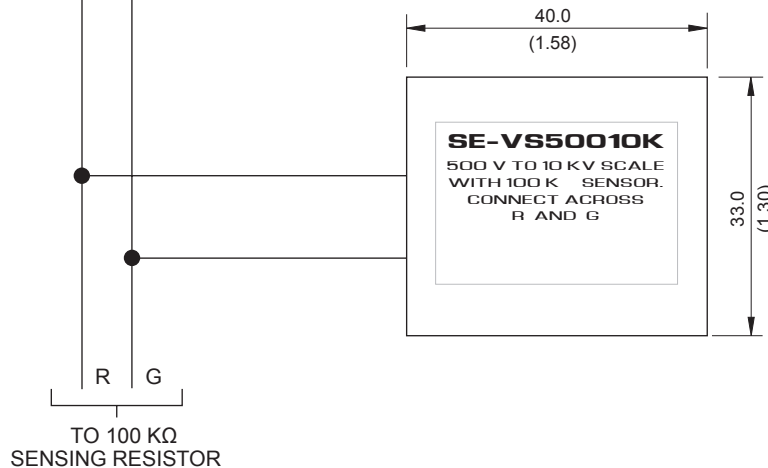
SE-VS50010K VOLTAGE SCALER

In some SE-325 NGR Monitor applications the required RES TRIP LEVEL (V ac) setting may be above the 100K RES set-point range. To increase the RES TRIP LEVEL (V ac) range on an SE-325 when using a 100 kΩ sensing resistor, install an SE-VS50010K Voltage Scaling Device. For new applications, Littelfuse recommends the use of an SE-330 NGR Monitor.



NOTES:

1. WITH SE-VS50010K INSTALLED ACROSS R & G OF SE-325 NGR MONITOR AND USING A 100 K Ω SENSING RESISTOR (SE-325 SETTING: RES IN 100K POSITION) THE RES TRIP LEVEL POTENTIOMETER RANGE IS TIMES FIVE (500 V ac TO 10 kV ac).



SE-VS50010K VOLTAGE SCALER INSTALLATION