

HSB FUSE RATED 32V

RoHS

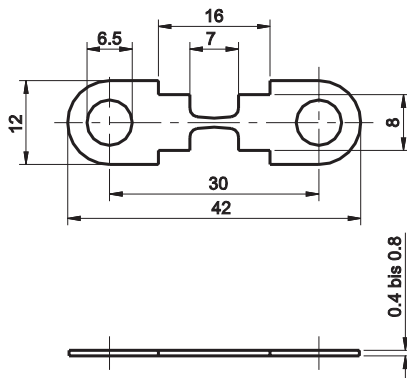


Description

Non-housed fuse strips for rated voltage up to 32 VDC. Current rating 30 A -175 A. Ring type lugs.

Dimensions

Dimensions in mm



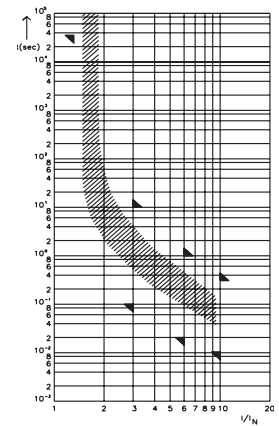
Specifications

Material: Zinc-alloy
 Connections: Zinc-alloy
 2 x M6 bolts, distance 30 mm
 Starting Torque: 4 Nm +/- 1 Nm

Ordering Information

Part Number	Package Size
156.5677.xxx1	100
156.5677.xxx2	10000

Pre-Arcing Time-Limits



FI = 1.00 (max. operating current: 1.0 x I_{rat} at 23°C)

Time-Current Characteristics

% of Rating	Opening Time Min / Max (s)
100	∞ / -
125	360,000 s / -
300	0.100 s / 10 s
600	0.020 s / 1 s
1000	0.010 s / 0.300 s

Ratings

Part Number	Current Rating	Typ. Voltage Drop	Cold Resistance	I²t
156.5677.530_	30 A	44mV	1.33 mΩ	3800 A²s
156.5677.540_	40 A	40mV	0.89 mΩ	11200 A²s
156.5677.550_	50 A	44mV	0.72 mΩ	21300 A²s
156.5677.560_	60 A	38mV	0.58 mΩ	41400 A²s
156.5677.580_	80 A	40mV	0.43 mΩ	44800 A²s
156.5677.611_	110 A	40mV	0.31 mΩ	139000 A²s
156.5677.615_	150 A	52mV	0.23 mΩ	465000 A²s
156.5677.617_	175 A	46mV	0.22 mΩ	560000 A²s

Corresponding holder see Section "Fuse Holders."