

FK1 MINI® STYLE BLADE FUSE RATED 32V



Specifications

Insulating Body:	Out of thermoplastic (UL 94-V0, heat-resistant)
Interrupting Rating:	1000 A @32 VDC
Cover:	Out of thermoplastic (V0, transparent) Visible melting-element Shunt: Red, not transparent
Terminals:	Blade contacts Copper alloy, gal. Sn plated Edge-protected
Complies with:	ISO 8820-3:2002(E) UL 248 Special Purpose Fuses
cULus Recognized:	File No. E10480

Ordering Information

Part Number	Package Size
168.6785.xxx2	8000
168.6785.xxx7	50

Description

The FK1 32V automotive standard fuse link in a MINI® package. Three part construction with copper contacts for excellent reliability in harsh environment conditions with low voltage drop. Current ratings 1A thru 30A. See-through cover for easy detection of blown fuses.

Time-Current Characteristics

% of Rating	Opening Time Min / Max (s)
110	360,000 s / -
135	0.75 s / 1,800 s
200	0.15 s / 5 s
350	0.040 s / 0.500 s
600	0.020 s / 0.100 s

Ratings

Part Number	Current Rating	Housing Color	Typ. Voltage Drop	Cold Resistance	I²t
168.6785.410_	1 A	Black	135 mV	100 mΩ	0.83 A²s
168.6785.420_	2 A	Grey	110 mV	43.0 mΩ	3.31 A²s
168.6785.430_	3 A	Purple	110 mV	27.0 mΩ	7.45 A²s
168.6785.440_	4 A	Pink	110 mV	21.3 mΩ	16.7 A²s
168.6785.450_	5 A	Brown	105 mV	16.2 mΩ	19.8 A²s
168.6785.475_	7.5 A	Dark Brown	100 mV	9.70 mΩ	44.5 A²s
168.6785.510_	10 A	Red	110 mV	7.40 mΩ	79.2 A²s
168.6785.515_	15 A	Blue	105 mV	4.50 mΩ	178 A²s
168.6785.520_	20 A*	Yellow	100 mV	3.10 mΩ	331 A²s
168.6785.525_	25 A*	White	120 mV	2.60 mΩ	653 A²s
168.6785.530_	30 A*	Green	105 mV	1.95 mΩ	1,264 A²s
160.6785.000_	Shunt*	White	60 mV	1.35 mΩ	1,800 A²s

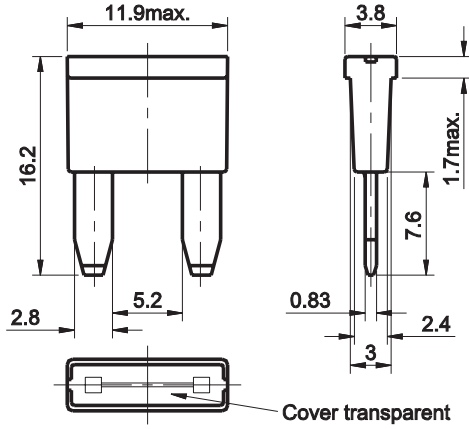
* Not mentioned in the standards
Corresponding holder see Section "Fuse Holders."

FK1 MINI® STYLE BLADE FUSE RATED 32V

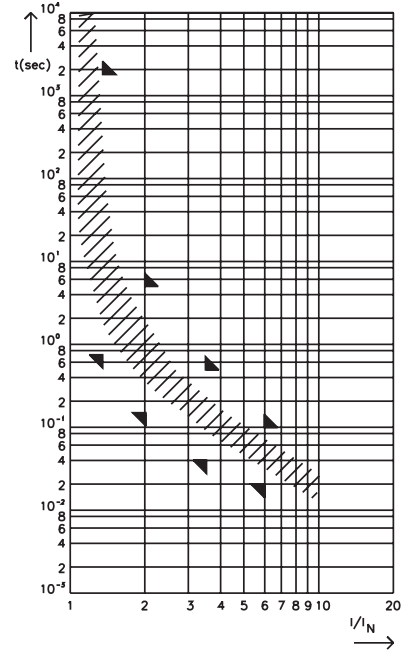


Dimensions

Dimensions in mm



Pre-Arcing Time-Limits



FI = 1.33 (max. operating current: $0.75 \times I_{rat}$ at 23°C)