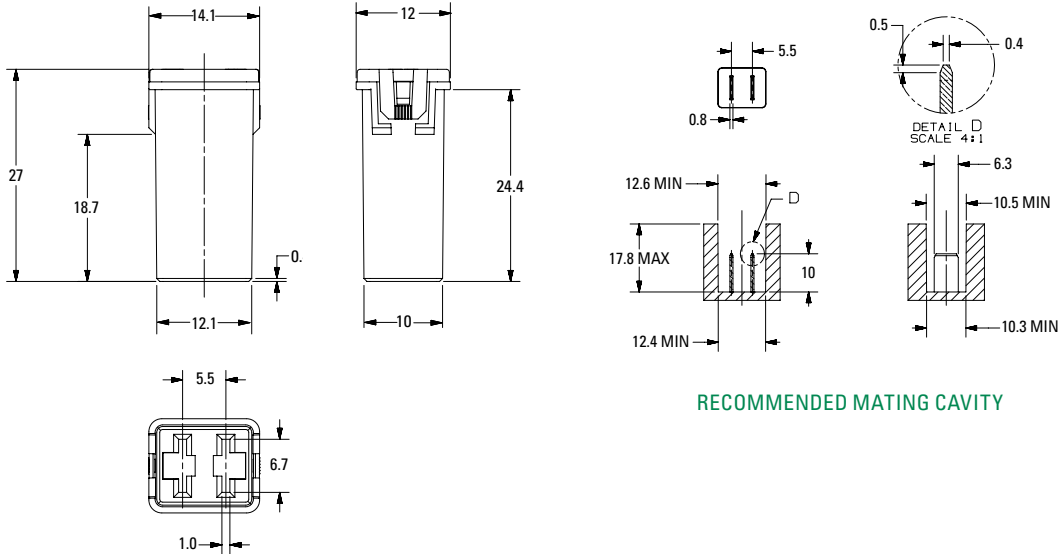




## JCASE® Cartridge Fuses Rated 32V

### Dimensions

Dimensions in mm for reference only. See outline drawing for dimensions and tolerances.

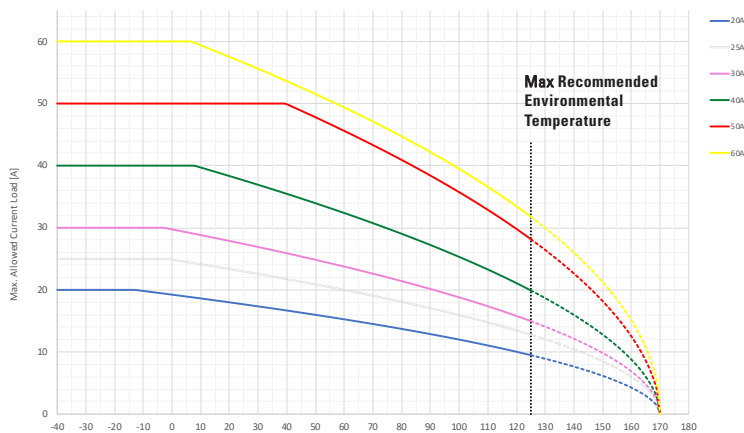


RECOMMENDED MATING CAVITY

### Typical Derating of Fuse Melting Element

Temperature Security Margin is 20%

Please contact Littelfuse® for Details Regarding Derating Test Set-Up.



### Temperature Table

	max. allowed current load [A] at ambient temperature (typical derating)						
	-40°C	0°C	20°C	65°C	85°C	110°C	125°C
<b>20A</b>	20	20	20	17	15	12	10
<b>25A</b>	25	25	25	20	18	15	13
<b>30A</b>	30	30	30	28	25	21	18
<b>40A</b>	40	40	40	37	33	27	23
<b>50A</b>	50	50	49	40	36	29	25
<b>60A</b>	60	60	60	51	46	38	33

Derating curves may change depending on the final condition of the application (terminals characteristics, wire size etc.). Please ask Littelfuse for more information.

REV 07272021

Littelfuse® products are not designed for, and shall not be used for, any purpose (including, without limitation, automotive, military, aerospace, medical, life-saving, life-sustaining or nuclear facility applications, devices intended for surgical implant into the body, or any other application in which the failure or lack of desired operation of the product may result in personal injury, death, or property damage) other than those expressly set forth in applicable Littelfuse® product documentation. Warranties granted by Littelfuse® shall be deemed void for products used for any purpose not expressly set forth in applicable Littelfuse® documentation. Littelfuse® shall not be liable for any claims or damages arising out of products used in applications not expressly intended by Littelfuse® as set forth in applicable Littelfuse® documentation. The sale and use of Littelfuse® products is subject to Littelfuse Terms and Conditions of Sale, unless otherwise agreed by Littelfuse®.