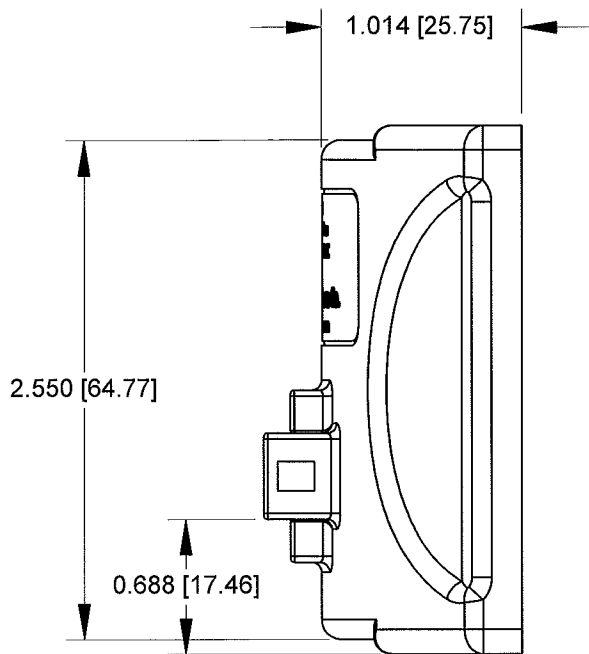
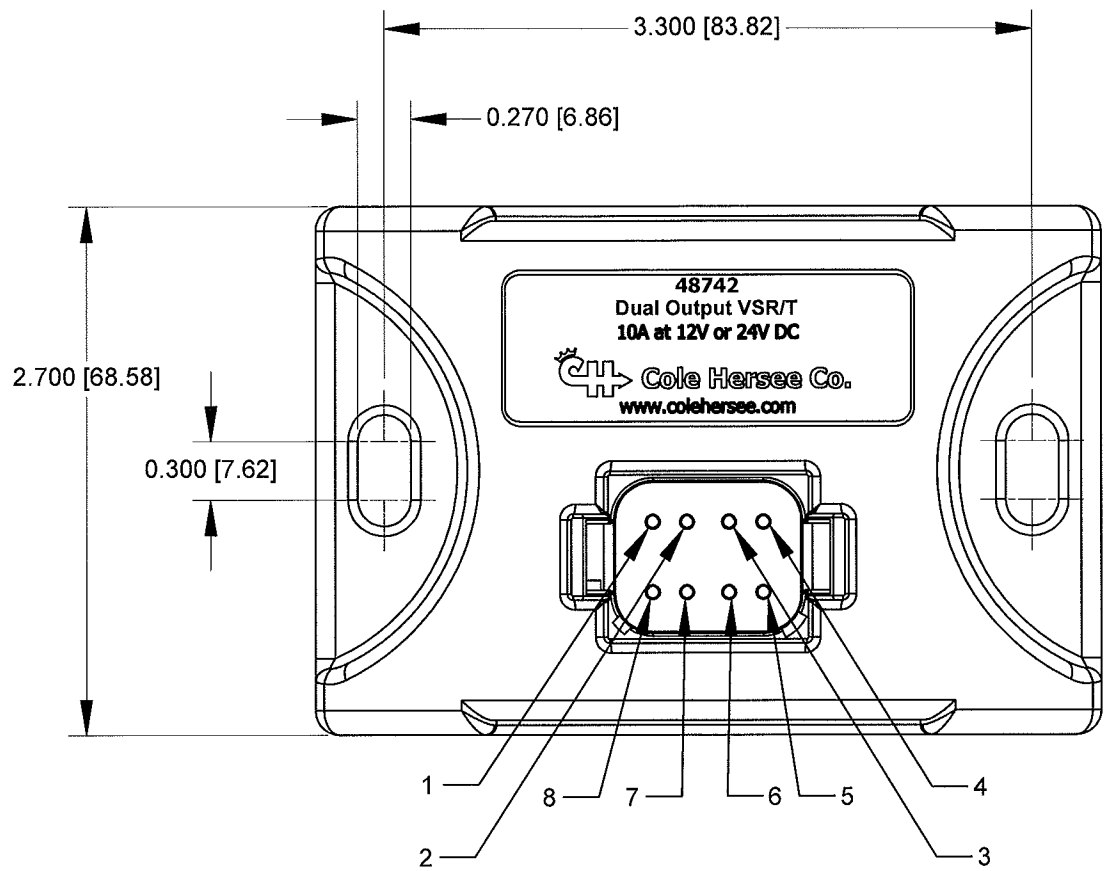


4

3

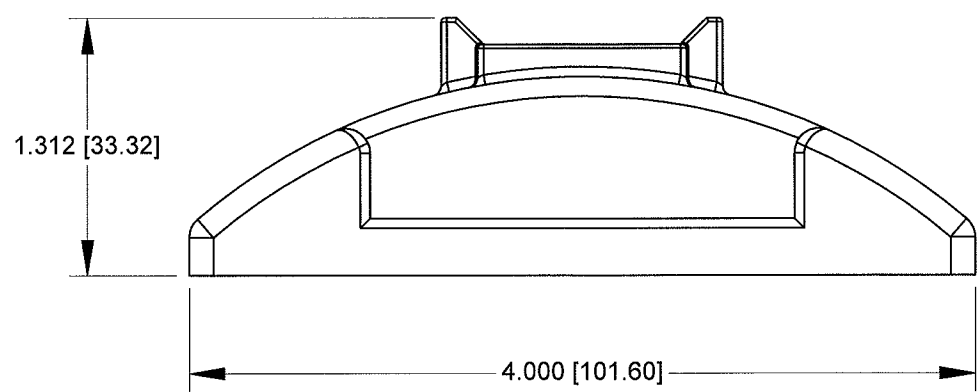
2

1



NOTES:

- 1. ALL DIMENSIONS ARE REFERENCE ONLY
- 2. SPECIFICATIONS:  
 OPERATING VOLTAGE: 9-32VDC  
 CURRENT RATING: PIN3: 10A AT 85°C  
 PIN6: 0.2A AT 85°C  
 QUIESCENT CURRENT 2 mA MAX  
 OPERATING TEMPERATURE: -40°C TO 85°C  
 OVERCURRENT THRESHOLD: PIN3: 12 - 17A  
 PIN6: UNPROTECTED
- 3. CONNECTOR PINOUT:  
 PIN1: OUTPUT1 TRIGGER  
 PIN2: GROUND (BATTERY-)  
 PIN3: OUTPUT1  
 PIN4: BATTERY+  
 PIN5: OUTPUT2 TRIGGER  
 PIN6: OUTPUT2  
 PIN7: REDUNDANT GROUND (BATTERY-)  
 PIN8: REDUNDANT GROUND (BATTERY-)
- 4. MATING CONNECTOR: DEUTSCH P/N DT06-08S
- 5. MATING PINS: DEUTSCH P/N 0462-201-16141
- 6. UNUSED PINS SHOULD BE SEALED WITH BLANKING PIN- DEUTSCH P/N: 114017
- 7. ONLY ONE GROUND (BATTERY -) CONNECTION IS REQUIRED FOR PROPER OPERATION. ALL OTHER GROUNDS ARE REDUNDANT
- 8. SEALED TO IP67 (PROVIDED BLANKING PINS USED)



|             |                                     |      |   |      |   |      |   |      |      |
|-------------|-------------------------------------|------|---|------|---|------|---|------|------|
| 48742       | 60                                  | 15   | 60                                      | 60   | 11.5                                    | 12.1 | 23.0                                    | 24.2 | NONE |
|             | PIN3                                | PIN6 | PIN3                                    | PIN6 | PIN3                                    | PIN6 | PIN3                                    | PIN6 |      |
| PART NUMBER | Key-Off Timer Active Time (minutes) |      | Low Voltage Verification Time (seconds) |      | 12V System Disconnect Threshold (Volts) |      | 24V System Disconnect Threshold (Volts) |      | KIT  |

| Revision Control Record |                       |         |          | Rev. | Description of Change | ECN No. | Date |
|-------------------------|-----------------------|---------|----------|------|-----------------------|---------|------|
| Rev.                    | Description of Change | ECN No. | Date     |      |                       |         |      |
| A                       | RELEASED DRAWING      | 12308   | 09/17/12 |      |                       |         |      |

Tolerances: Unless otherwise specifically noted, the following are default tolerances;  
**2-places +/- 0.02"**    **3-places +/- 0.005"**    **Angular +/- 1'**  
 Metric: Shown in [ ] refers to equivalent English Dim Tol  
 "REF." or an Asterisk (\*) = Non-Toleranced Reference Dimension, shown for Clarification purposes only.  
 NOTE: All tolerances are Non-Cumulative.

**PROPRIETARY INFORMATION**  
 This Engineering Drawing, and the information contained herein, is proprietary to Cole Hersee Company and may not be disclosed, re-produced, or in any other way transferred or communicated to any other party without the express written consent of an authorized representative of Cole Hersee Company.

**Special Characteristics:**  
 Critical Characteristic, relating to Safety and/or Regulatory Compliance  
 Significant Characteristic relating to Process Control  
 Control Dimension relating to Form - Fit - Function as defined by Cole Hersee Company and/or the Customer

**Cole Hersee Co.**  
 20 Old Colony Ave., South Boston, MA, 02127  
 Phn: 617-268-2100 Web: www.colehersee.com

**Description: VOLTAGE SENSING RELAY TIMER**

**Drawing / Part No.: 48742**      **Current Rev.: A**

FORM CHT-6 (2/07)    Used On or Ref.: **48742; EX-28950**

Scale: 1:1    Drawn BY: BC    Date Drawn: 09/17/12    Pg. 1 of 1

4

3

2

1