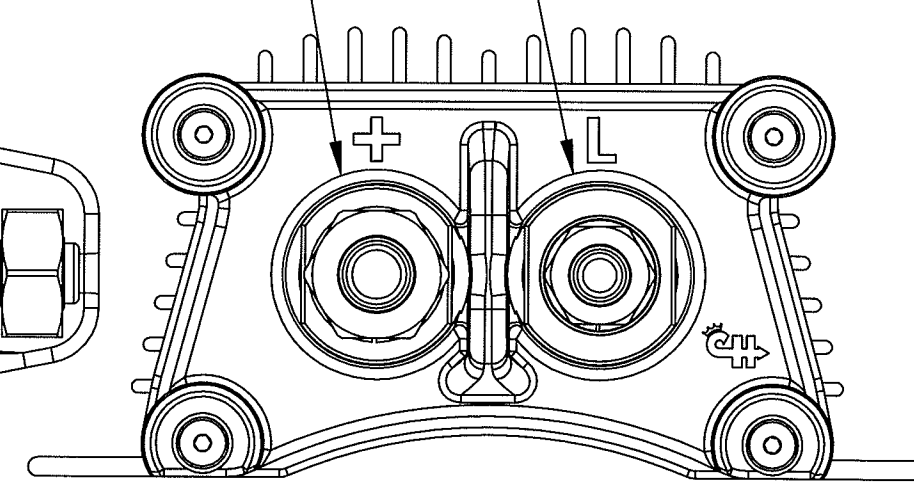
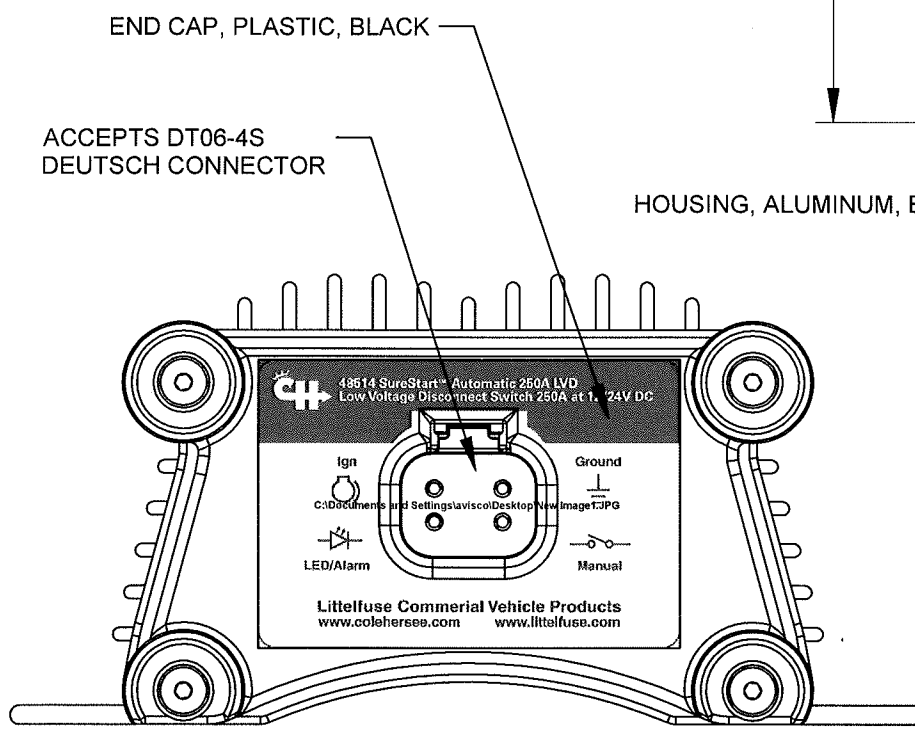
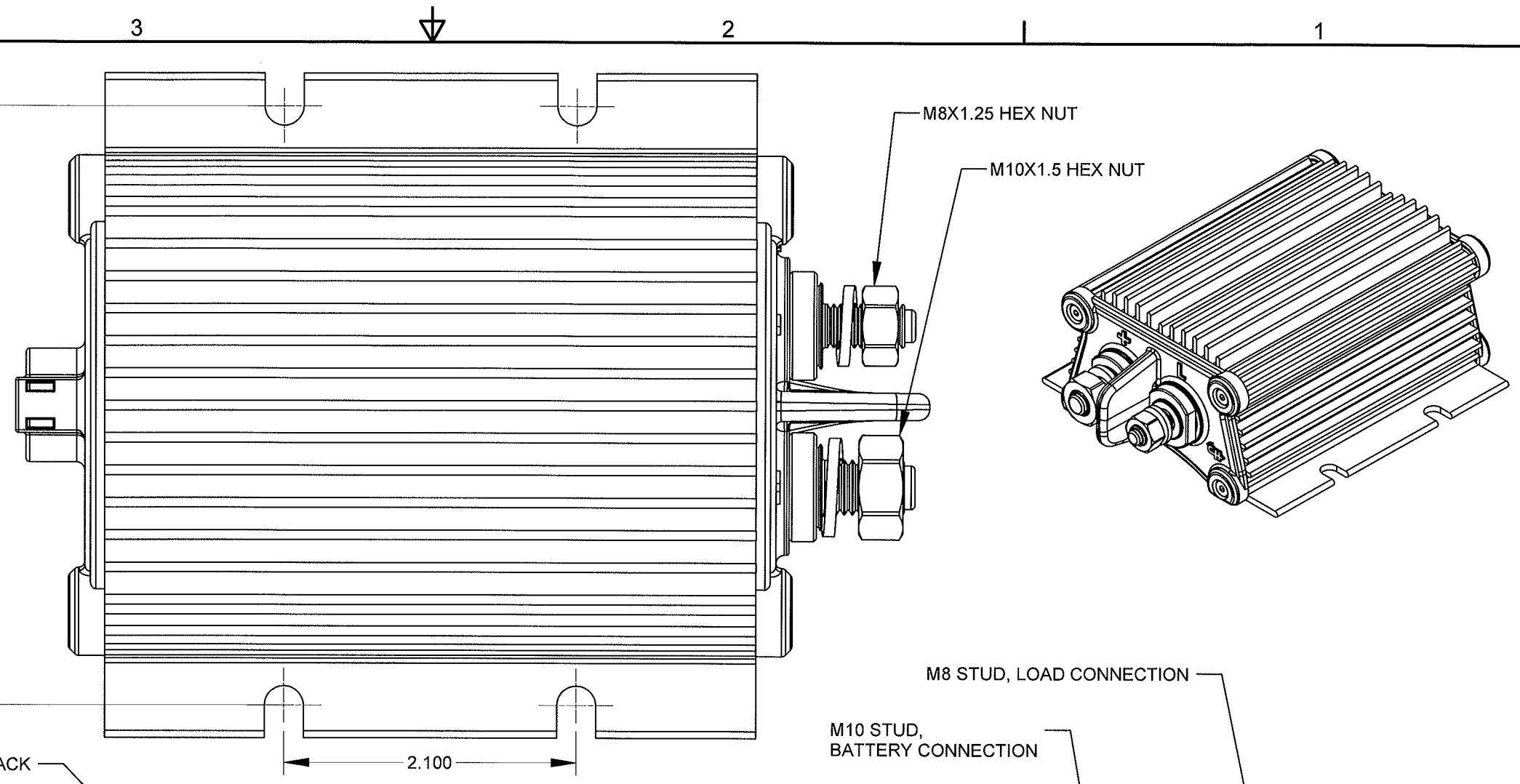


- NOTES:
 1. ALL DIMENSIONS ARE REFERENCE ONLY
 2. CONNECTOR FUNCTIONS:
 TERMINAL 1: GROUND
 TERMINAL 2: MANUAL OVER-RIDE
 TERMINAL 3: LED/ALARM (WARNING)
 TERMINAL 4: IGNITION OVER-RIDE
 3. SPECIFICATIONS:
 OPERATING VOLTAGE RANGE: 9-32V
 OPERATING TEMP.: -40 to 185 F (-40 to 85 C)
 4. SEALED TO IP67



Revision Control Record				Rev.	Description of Change	ECN No.	Date	Tolerances	PROPRIETARY INFORMATION	Special Characteristics:	Cole Hersee Co.	
Rev.	Description of Change	ECN No.	Date					Unless otherwise specifically noted, the following are default tolerances: 2-places $\pm 0.02"$ 3-places $\pm 0.005"$ Angular $\pm 1'$ Metric: Shown in [] refers to equivalent English Dim Tol "REF." or an Asterisk (*) = Non-Toleranced Reference Dimension, shown for clarification purposes only. NOTE: All tolerances are Non-Cumulative.	This Engineering Drawing, and the information contained herein, is proprietary to Cole Hersee Company and may not be disclosed, re-produced, or in any other way transferred or communicated to any other party without the express written consent of an authorized representative of Cole Hersee Company.	<input checked="" type="checkbox"/> Critical Characteristic, relating to Safety and/or Regulatory Compliance <input checked="" type="checkbox"/> Significant Characteristic relating to Process Control <input checked="" type="checkbox"/> Control Dimension relating to Form - Fit - Function as defined by Cole Hersee Company and/or the Customer	20 Old Colony Ave., South Boston, MA, 02127 Phn: 617-268-2100 Web: www.colehersee.com LOW VOLTAGE DISCONNECT	Current Rev.
A	RELEASED	12232	7/17/12						FORM CHT-6 (2/07) Used On or Ref.: EX28854	<input type="checkbox"/> Scale: 1:1 <input type="checkbox"/> By: ABC <input type="checkbox"/> Date Drawn: 12/13/11 <input type="checkbox"/> Pg.1 of 1	48514	A