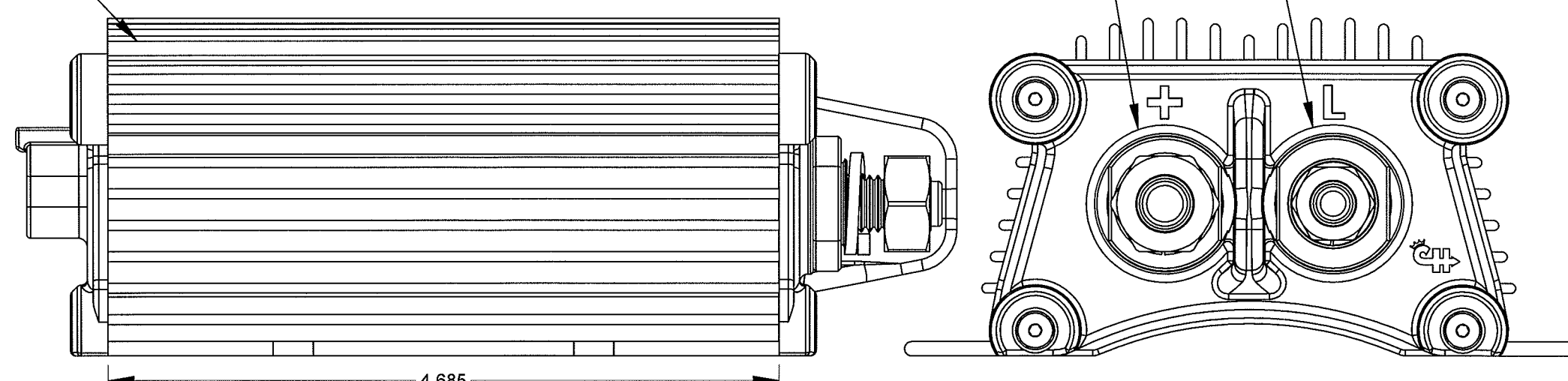
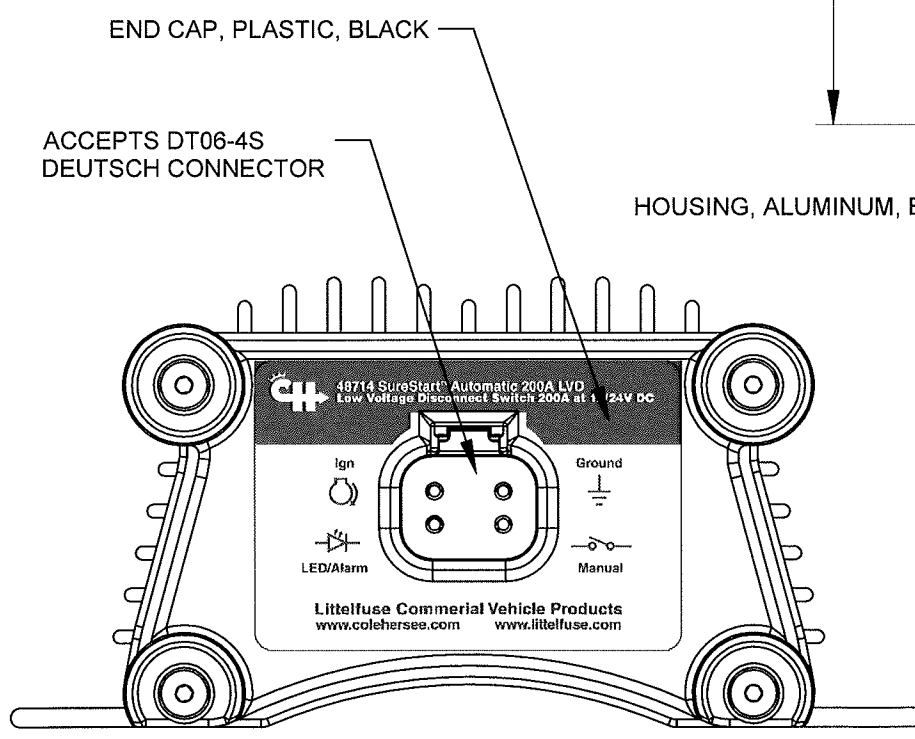
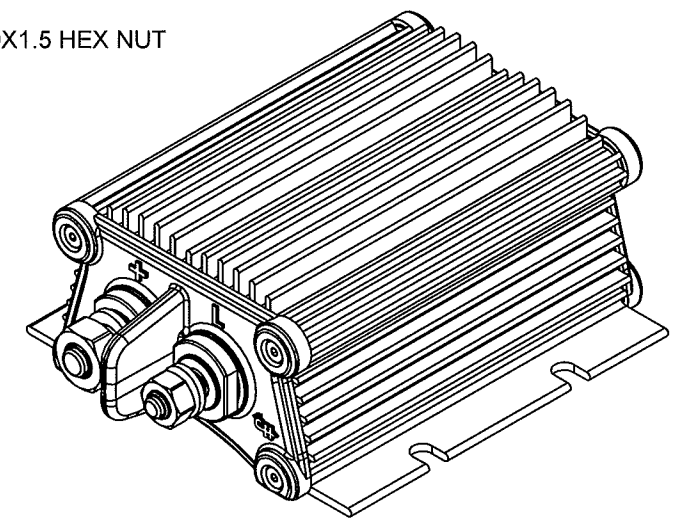
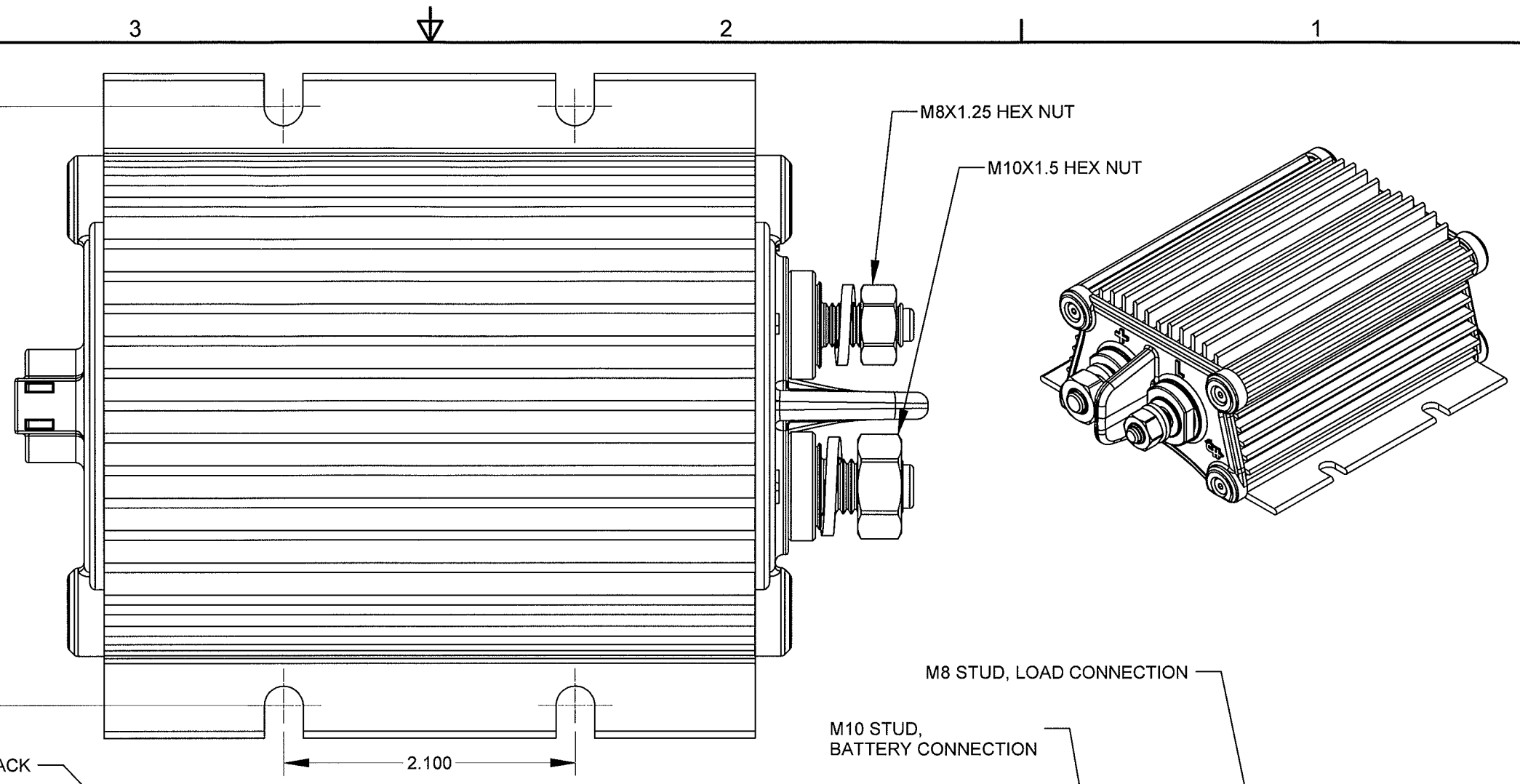


- NOTES:
 1. ALL DIMENSIONS ARE REFERENCE ONLY
 2. CONNECTOR FUNCTIONS:
 TERMINAL 1: GROUND
 TERMINAL 2: MANUAL OVER-RIDE
 TERMINAL 3: LED/ALARM (WARNING)
 TERMINAL 4: IGNITION OVER-RIDE
 3. SPECIFICATIONS:
 OPERATING VOLTAGE RANGE: 9-32V
 OPERATING TEMP.: -40 to 185 F (-40 to 85 C)
 4. SEALED TO IP67



Revision Control Record			
Rev.	Description of Change	ECN No.	Date
A	RELEASED	12193	6/1/12
B	ADD LABEL	12229	7/24/12

Rev.	Description of Change	ECN No.	Date

Tolerances Unless otherwise specifically noted, the following are default tolerances:
2-places **3-places** **Angular**
+/- 0.02" **+/- 0.005"** **+/- 1°**
 Metric: Shown in [] refers to equivalent English Dim Tol
 "REF." or an Asterisk (*) = Non-Toleranced Reference Dimension, shown for clarification purposes only.
 NOTE: All tolerances are Non-Cumulative.

PROPRIETARY INFORMATION This Engineering Drawing, and the information contained herein, is proprietary to Cole Hersee Company and may not be disclosed, re-produced, or in any other way transferred or communicated to any other party without the express written consent of an authorized representative of Cole Hersee Company.

Special Characteristics:
 Critical Characteristic, relating to Safety and/or Regulatory Compliance
 Significant Characteristic relating to Process Control
 Control Dimension relating to Form - Fit - Function as defined by Cole Hersee Company and/or the Customer

Cole Hersee Co.
 20 Old Colony Ave., South Boston, MA, 02127
 Phn: 617-268-2100 Web: www.colehersee.com

Description: **LOW VOLTAGE DISCONNECT**

Drawing / Part No.: **48714** Current Rev. **B**

FORM CHT-6 (2/07) Used On or Ref.: **EX28854** Scale: 1:1 By: **ABC** Date Drawn: 12/13/11 Pg.1 of 1