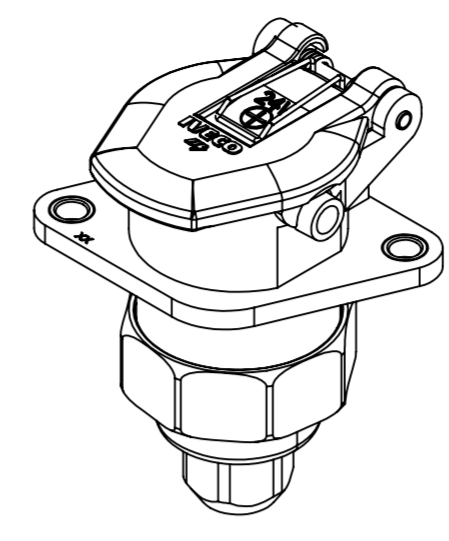
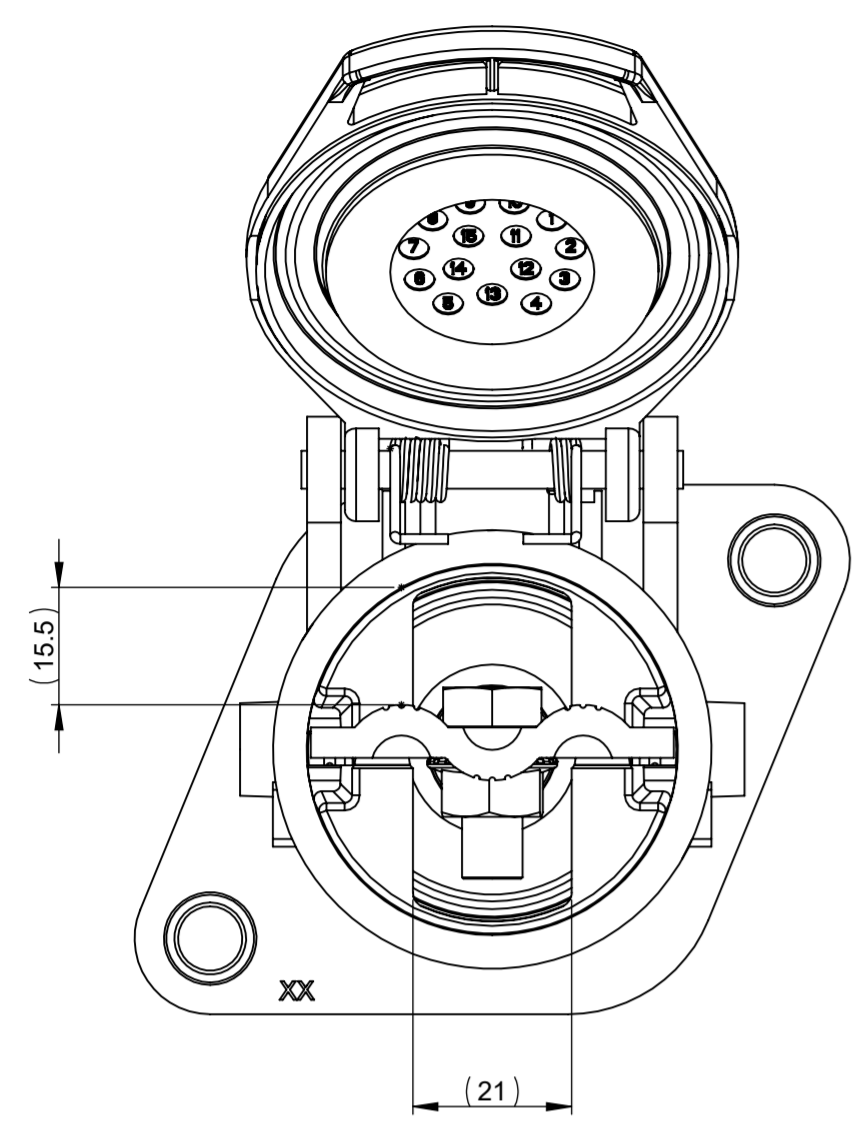
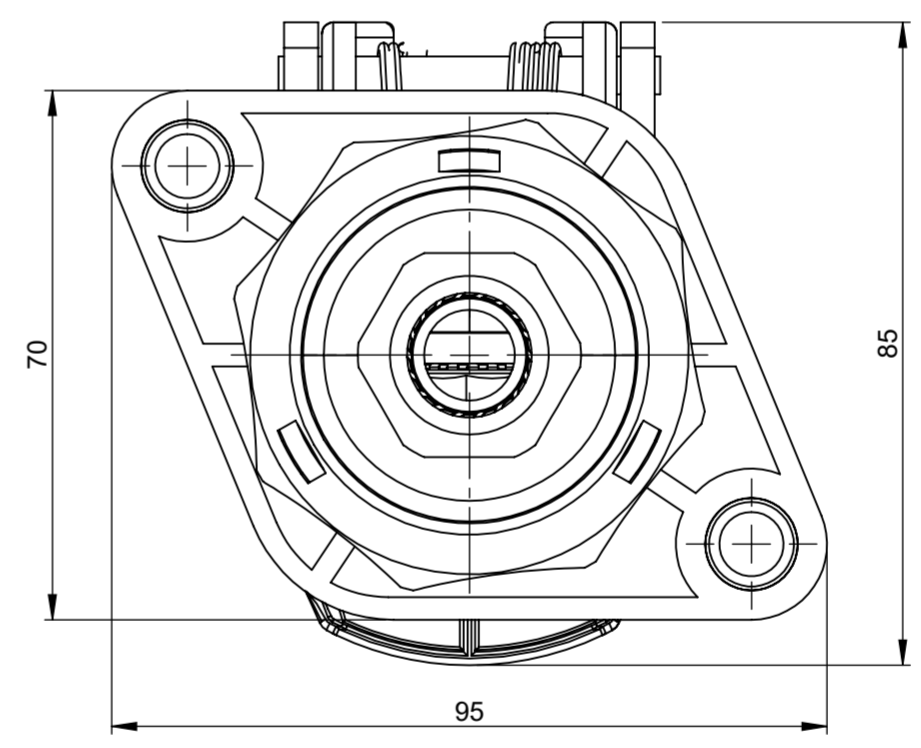
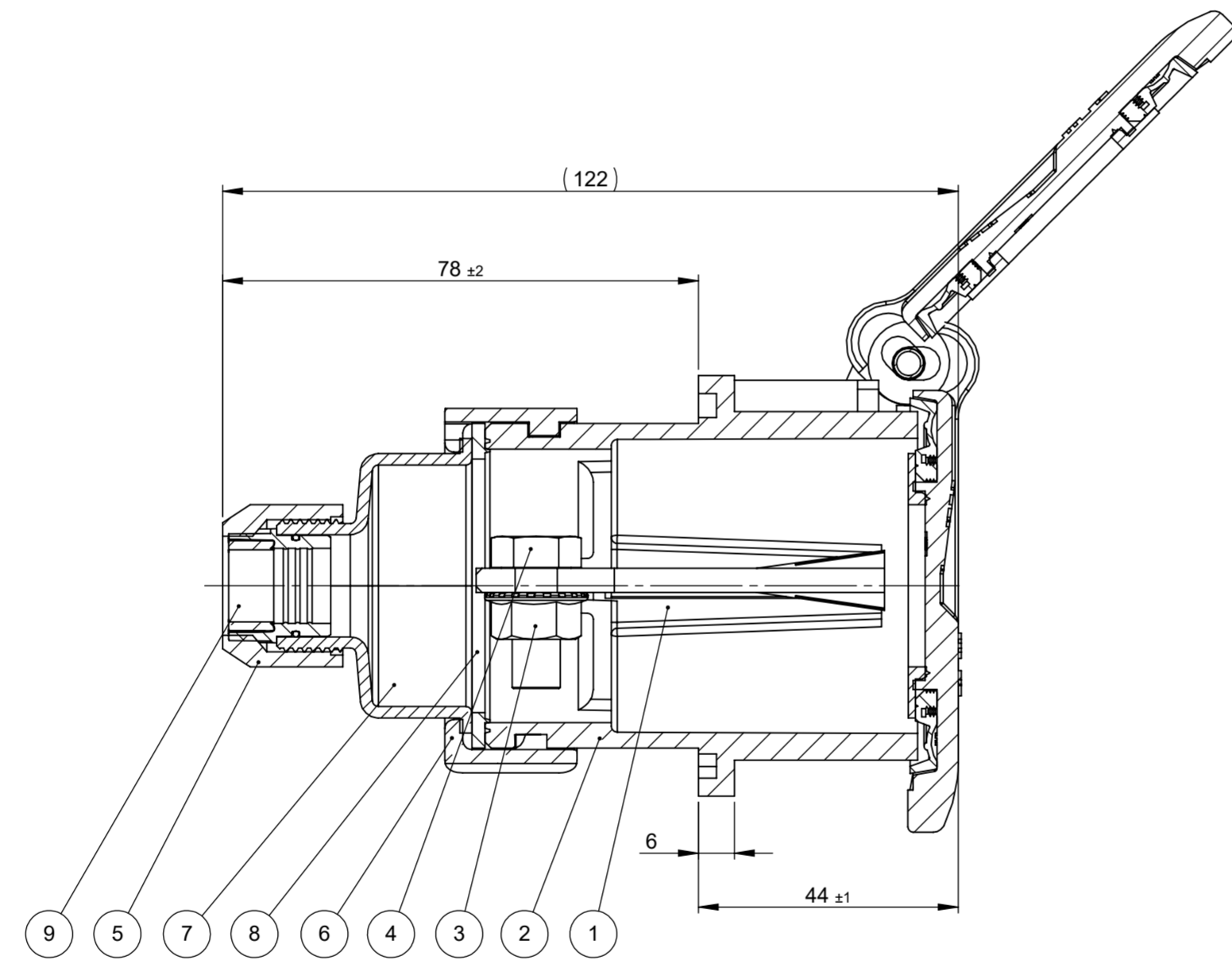
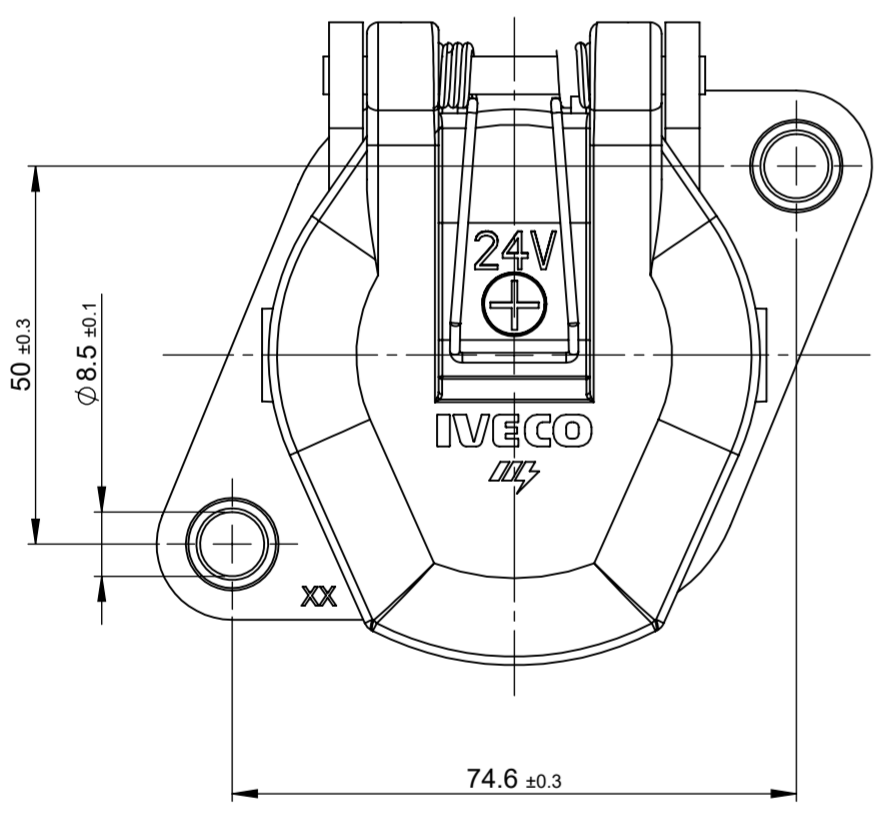


THIS DRAWING AND THE INFORMATION CONTAINED WITHIN IT ARE CONFIDENTIAL AND MAY NOT BE COPIED OR DISCLOSED WITHOUT THE WRITTEN PERMISSION OF LITTELFUSE.

REVISIONS		DATE	DESIGNED	APPROVED
REV.	DESCRIPTION			
A	First issue of outline drawing	17-Mar-20	Dal Molin	Tinto



SCALE 1:2



POS.	DESCRIPTION	MATERIAL	THERM. TREAT.	Q.TY	U/M
9	Cable gland gasket support	Rubber CR		1	EA
8	Gasket	Rubber EPDM		1	EA
7	Rear body 0°-PG16	PA6 15% G.F.		1	EA
6	Rear ring nut socket 24V-15P	PA6 15% G.F.		1	EA
5	PG16 hex nut	PA6 15% G.F.		1	EA
4	Screw M8X20	Stainless steel		1	EA
3	Nut M8	Stainless steel		1	EA
2	Body+emergency socket cover			1	EA
1	Emergency socket contact	Copper	Silver-plated	1	EA

PRESCRIPTIONS
 - Fix with M8 screws to a recommended torque of 14 ± 1 Nm
 - External dimensions according to ISO 7638
 - Tests according to IVECO 18-2252 ed.12

SAP drawing number:

Material and treatments:

NAME		DATE
DRAWN	D. Maritan	04-Sep-15
CHECKED	-	-
Littelfuse Expertise Applied Answers Delivered		
FORM NO. CVP-PE40-0013 REV A		
FIRST ANGLE PROJECTION		
SIZE:	DWG. NO.	OUTLINE REV.
A2	OL-00599362	A
DO NOT SCALE DRAWING		SCALE 1:1
		SHEET 1 OF 1