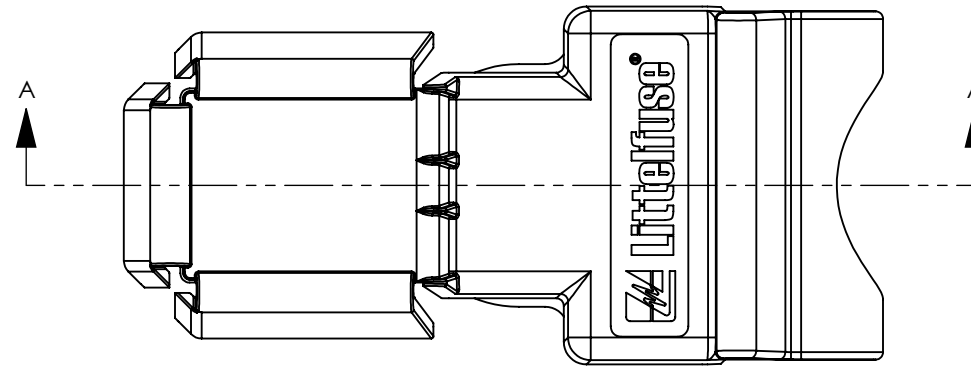
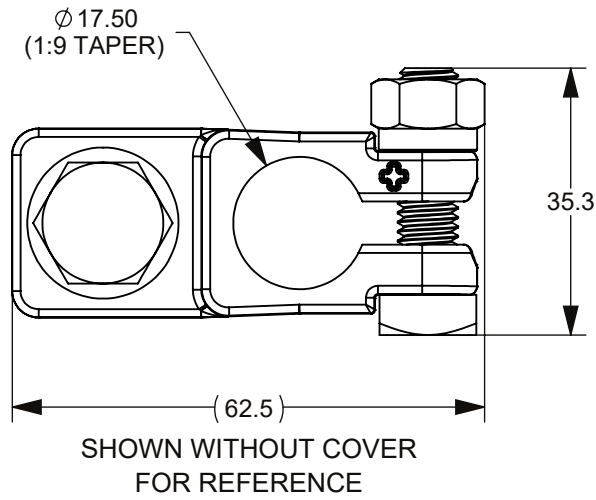


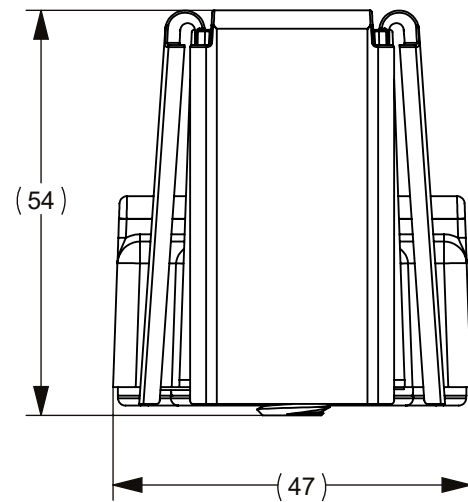
THIS DRAWING AND THE INFORMATION CONTAINED WITHIN IT ARE CONFIDENTIAL AND MAY NOT BE COPIED OR DISCLOSED WITHOUT THE WRITTEN PERMISSION OF LITTELFUSE.

NOTES

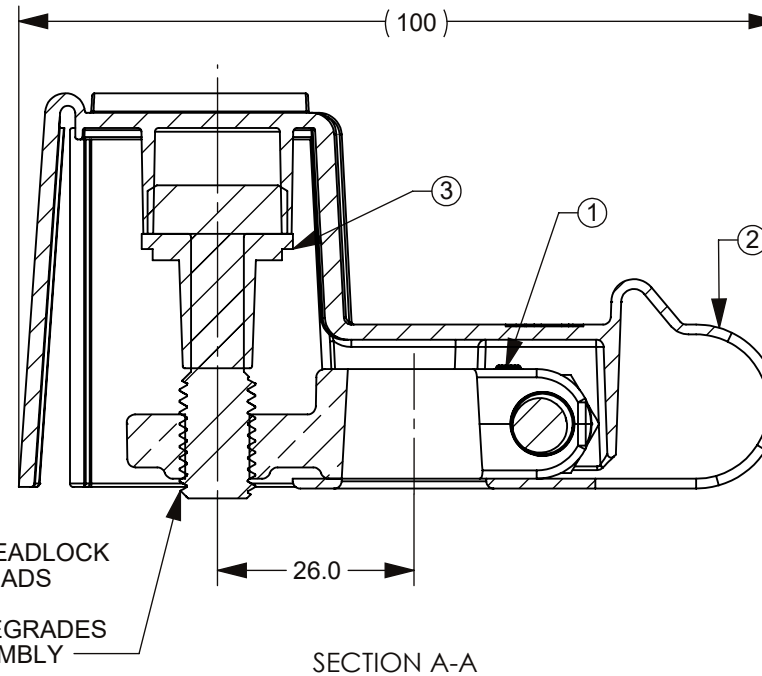
- MATERIAL:  
BASE: COPPERALLOY PLATED WITH TIN OVER NICKEL  
BOLTS AND NUTS: 304 STAINLESS STEEL  
COVER: TPV; UL94, V0 RATED
- BMZF MUST BE USED WITH LITTELFUSE SUPPLIED  
M10 ISOLATED BOLT ONLY (890010900)  
M10 BOLT TORQUE: 16±2 N·m
- M8 SHOULDER NUT TORQUE: 12±1 N·m  $\triangle B$
- MAXIMUM CONTINUOUS CURRENT: 250A
- VOLTAGE RATING: 32V
- OPERATING TEMPERATURE: -40°C TO 105°C
- STORAGE TEMPERATURE: -50°C TO 125°C



THE COVER OUTER DIMENSIONS ARE SUBJECT TO VARIABILITY  
ASSEMBLY HEIGHT IS DEPENDENT ON THE CUSTOMER SUPPLIED RING TERMINAL USED

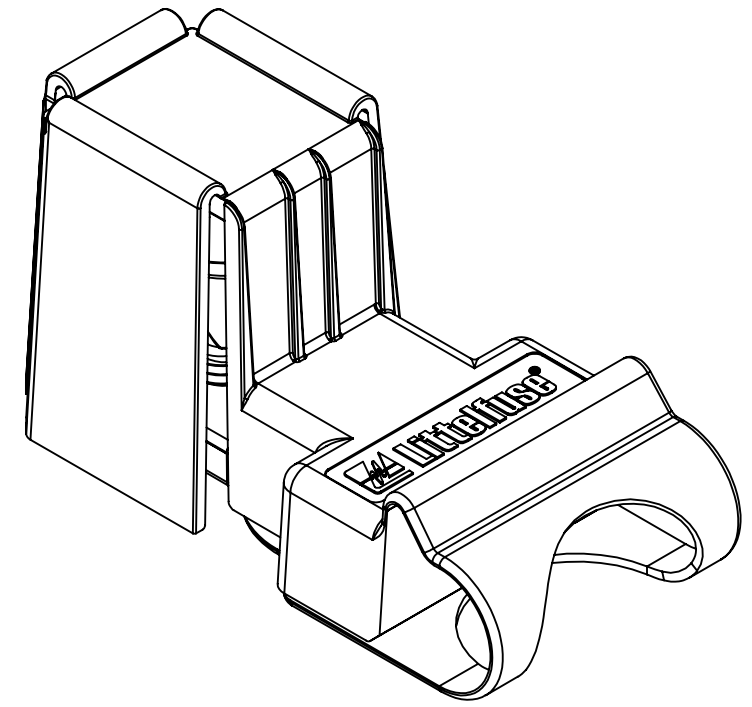


$\triangle B$  ORANGE COLORED THREADLOCK ON THE BOLT THREADS  
RETENTION TORQUE DEGRADES WITH EACH DISASSEMBLY



REVISIONS

ZONE	REV.	DESCRIPTION	DATE	APPROVED
	A	INITIAL RELEASE, GCF 520582	1/24/2019	
	B	ECO 521647 INCREASE M8 BOLT TORQUE, ADD PN, REVISE THREADLOCK DESCRIPTION, ADD FIGURE 2	11/17/2019	A.HOANG A.MENZER



NO.	PART NUMBER	COMPONENT NAME	QTY	U
3	890010900	BMZF M10 Isolated Bolt Assy	1	ea.
2	901-704	BMZF 1 POS Cover	1	ea.
1	890010990	Base Assy, BMZF 1 POS	1	ea.

INTERPRET DRAWING TO ANSI/ASME Y14.5-1994.

●	FIT/ FUNCTION CRITICAL CHARACTERISTICS SYMBOL
<S>	SAFETY/ COMPLIANCE CRITICAL CHARACTERISTICS SYMBOL
CPK	DENOTES CPK DIMENSIONS MINIMUM CPK VALUE
ST	DENOTES A CHARACTERISTIC THAT PROVIDES AN INDICATION OF PROCESS PERFORMANCE PROCEDURE FOR MEASUREMENT AND TRACKING TO BE DEFINED IN LITTELFUSE INSPECTION INSTRUCTIONS
CP	DENOTES CP DIMENSIONS, -MINIMUM CP VALUE MUST BE WITHIN THE DIMENSIONAL LIMITATIONS SHOWN ON DRAWING AND INITIALLY LOCATED TO ALLOW FOR MAXIMUM TOOL LIFE

DIMENSION: MM TOLERANCES UNLESS OTHERWISE SPECIFIED  
ONE PLACE DECIMAL ± 0.5      THREE PLACES DECIMAL ± 0.100  
TWO PLACES DECIMAL ± 0.20      ANGULAR ± 2°

NAME	DATE
DRAWN L.VOGL	1/24/2019
CHECKED -	-
-	-
-	-

FORM NO: CVP-PE40-0004 REV A  
THIRD ANGLE PROJECTION

**Littelfuse**  
Expertise Applied | Answers Delivered

TITLE  
BMZF 1 POSITION ASSEMBLY

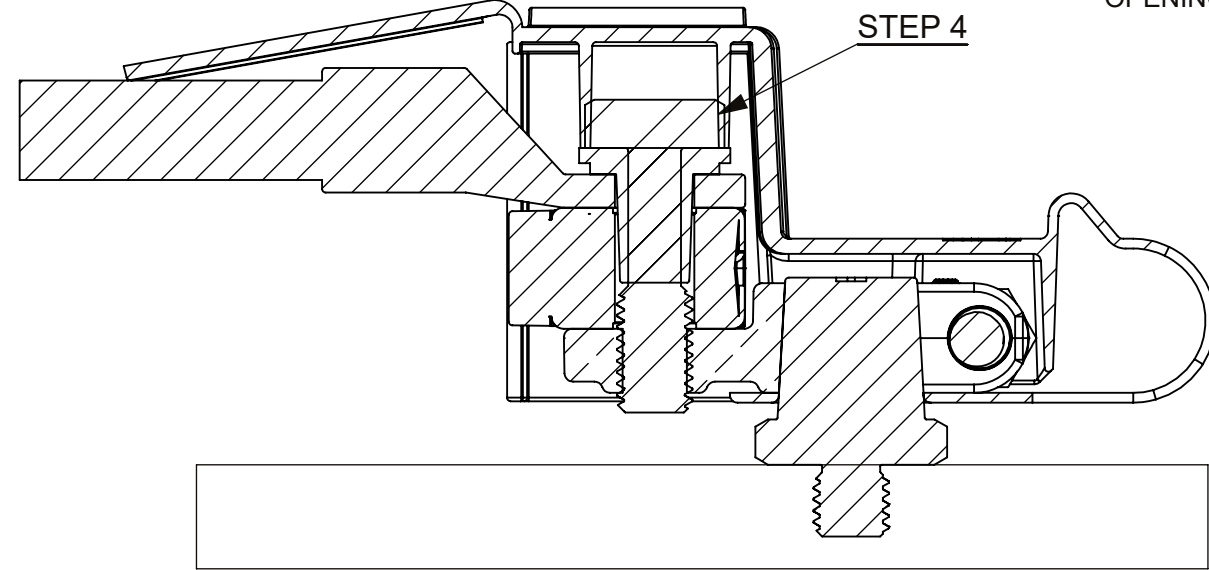
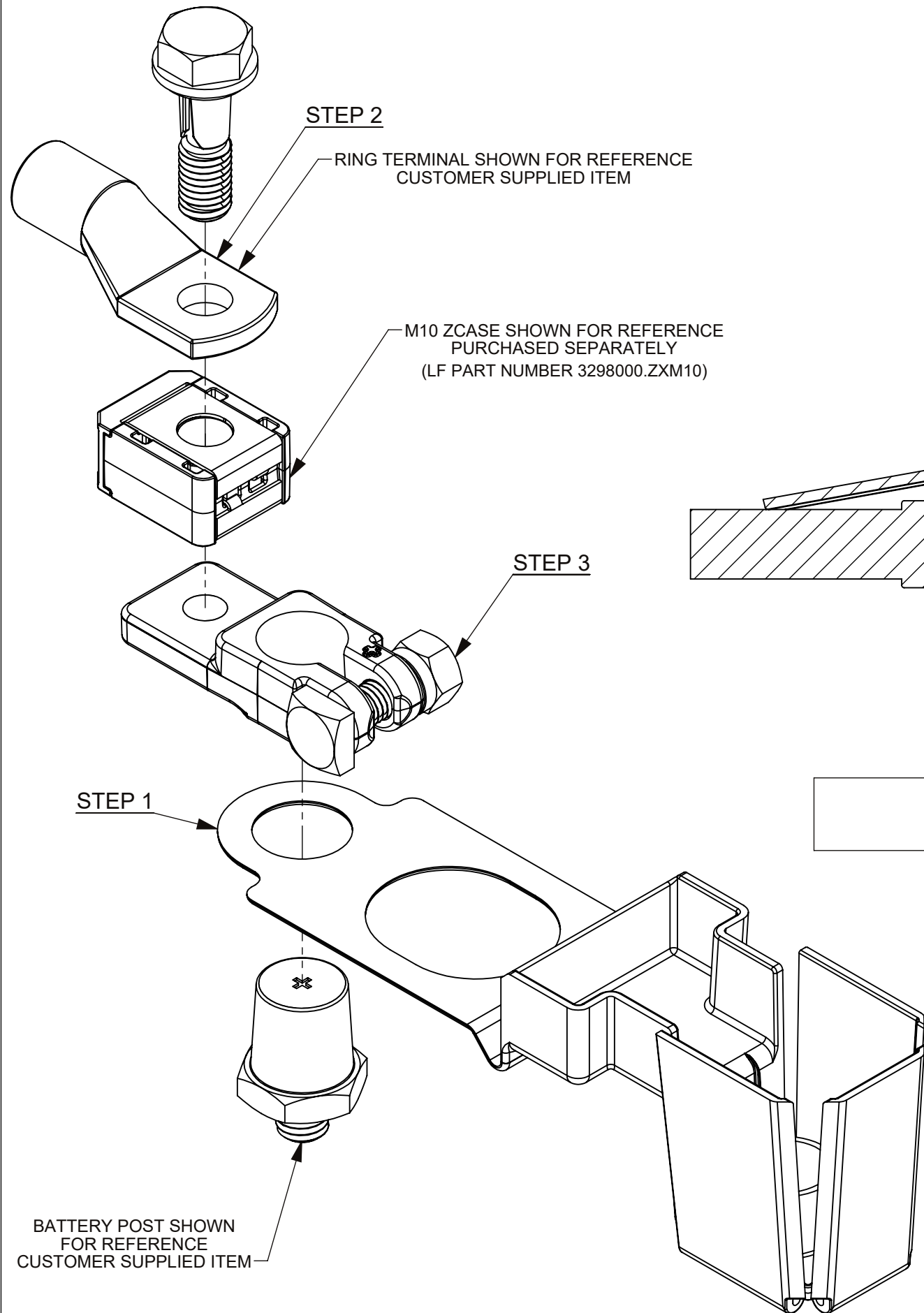
DO NOT SCALE DRAWING      SCALE 1:1      SHEET 1 OF 2

THIS DRAWING AND THE INFORMATION CONTAINED WITHIN IT ARE CONFIDENTIAL AND MAY NOT BE COPIED OR DISCLOSED WITHOUT THE WRITTEN PERMISSION OF LITTELFUSE.

ASSEMBLY STEPS (FOR CUSTOMER USE ONLY)

(RING TERMINAL AND BATTERY POST ARE CUSTOMER SUPPLIED ITEMS)  
(M10 ZCASE SOLD SEPARATELY; LITTELFUSE PART NUMBER 3298000.ZXM10)

1. PLACE THE TAIL END OF THE COVER ONTO THE POSITIVE BATTERY POST (1:9 TAPER) WITH THE COVER FACING UPWARDS.
2. ASSEMBLE THE ISOLATED BOLT, M10 RING TERMINAL, & M10 ZCASE TO THE BASE ASSEMBLY. SECURE THE BOLT TO  $16 \pm 2$  N·m. BE SURE THE RING TERMINAL DIMENSIONS MATCH THE FOLLOWING REQUIREMENTS (FIGURE 1):  
 $c2 \geq 11$ mm
3. ATTACH THE BASE ASSEMBLY TO THE POSITIVE BATTERY POST OVER THE COVER. SECURE THE ASSEMBLY BY TIGHTENING THE M8 SHOULD HEX NUT TO  $12 \pm 1$  N·m. M8 NUT AND BOLT CAN BE ASSEMBLED IN LEFT OR RIGHT HAND ORIENTATION FOR BEST ACCESS DURING ASSEMBLY (FIGURE 2)
4. WRAP THE COVER AROUND THE ASSEMBLY AND SECURE IT TO THE BOLT HEAD (AS SHOWN IN THE FULL ASSEMBLY CROSS SECTION). THE RING TERMINAL AND WIRE WILL EXTEND OUT OF ONE OF THE THREE COVER OPENINGS.



FULLY ASSEMBLED CROSS SECTION VIEW

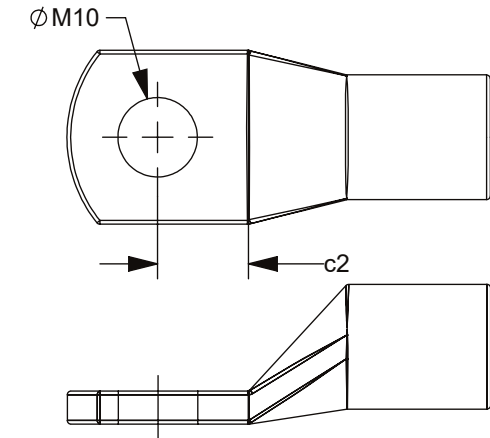


FIGURE 1  
EXAMPLE RING TERMINAL  
LENGTH "c2" ≥ 11mm

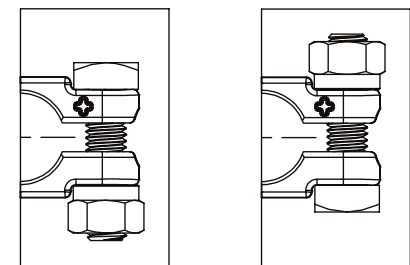


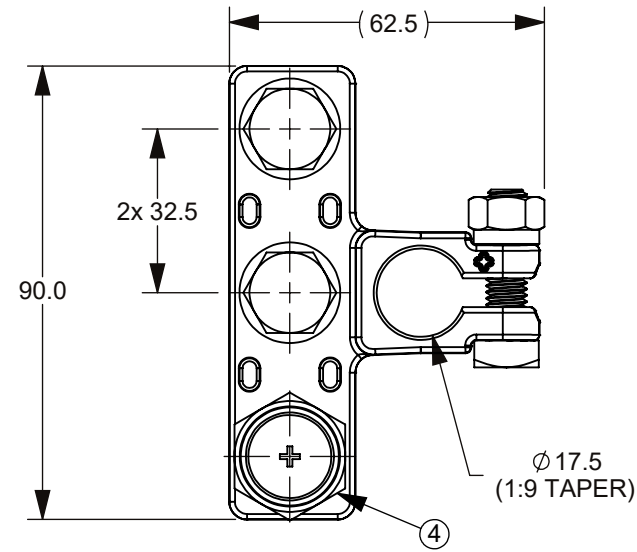
FIGURE 2  
M8 NUT AND BOLT ASSEMBLY ORIENTATION  
M8 NUT AND BOLT CAN BE ASSEMBLED IN LEFT OR  
RIGHT HAND ORIENTATION

INTERPRET DRAWING TO ANSI/ASME Y14.5-1994.	
●	FIT/ FUNCTION CRITICAL CHARACTERISTICS SYMBOL
<S>	SAFETY/ COMPLIANCE CRITICAL CHARACTERISTICS SYMBOL
CPK	DENOTES CPK DIMENSIONS MINIMUM CPK VALUE
ST	DENOTES A CHARACTERISTIC THAT PROVIDES AN INDICATION OF PROCESS PERFORMANCE PROCEDURE FOR MEASUREMENT AND TRACKING TO BE DEFINED IN LITTELFUSE INSPECTION INSTRUCTIONS
CP	DENOTES CP DIMENSIONS. -MINIMUM CP VALUE MUST BE WITHIN THE DIMENSIONAL LIMITATIONS SHOWN ON DRAWING AND INITIALLY LOCATED TO ALLOW FOR MAXIMUM TOOL LIFE
DIMENSION: MM TOLERANCES UNLESS OTHERWISE SPECIFIED ONE PLACE DECIMAL ± 0.5      THREE PLACES DECIMAL ± 0.100 TWO PLACES DECIMAL ± 0.20      ANGULAR ± 2°	
DRAWN	NAME DATE L.VOGL 1/24/2019
CHECKED	- -
<b>Littelfuse</b> Expertise Applied   Answers Delivered	
FORM NO: CVP-PE40-0004 REV A	
THIRD ANGLE PROJECTION	
SIZE	DWG. NO. REV. B OL-FHZ00855 B
DO NOT SCALE DRAWING	SCALE 1:1 SHEET 2 OF 2

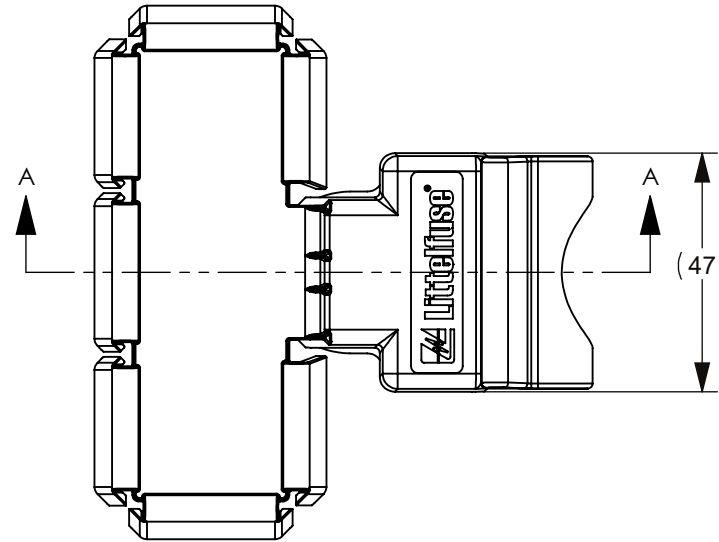
THIS DRAWING AND THE INFORMATION CONTAINED WITHIN IT ARE CONFIDENTIAL AND MAY NOT BE COPIED OR DISCLOSED WITHOUT THE WRITTEN PERMISSION OF LITTELFUSE.

NOTES

- MATERIAL:**  
BASE: COPPER ALLOY PLATED WITH TIN OVER NICKEL  
BOLTS AND NUTS: 304 STAINLESS STEEL  
COVER: TPV; UL94, V0 RATED
- BMZF MUST BE USED WITH LITTELFUSE SUPPLIED M10 ISOLATED BOLT ONLY (890010900)  
M10 BOLT TORQUE: 16±2 N·m
- M8 SHOULDER NUT TORQUE: 12±1 N·m**
- MAXIMUM CONTINUOUS CURRENT: 325A
- VOLTAGE RATING: 32V
- OPERATING TEMPERATURE: -40°C TO 105°C
- STORAGE TEMPERATURE: -50°C TO 125°C

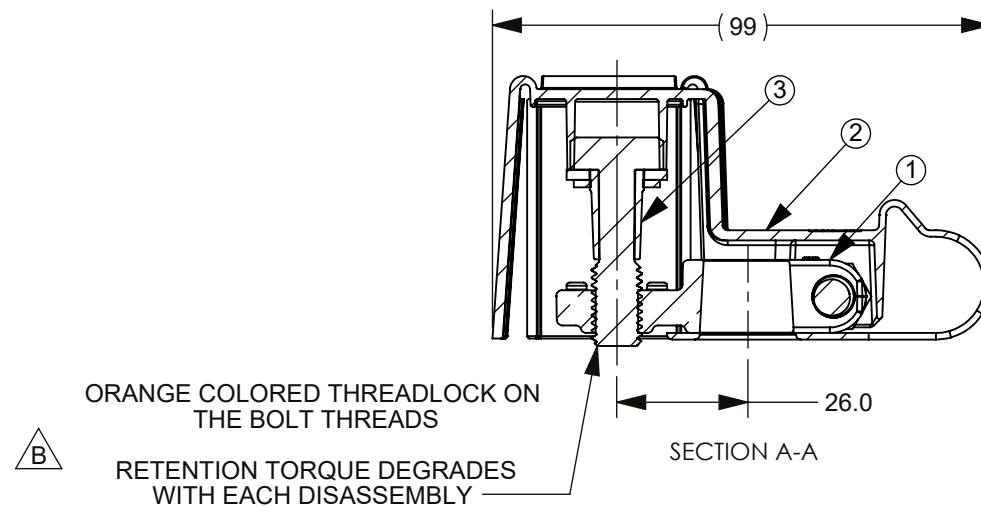
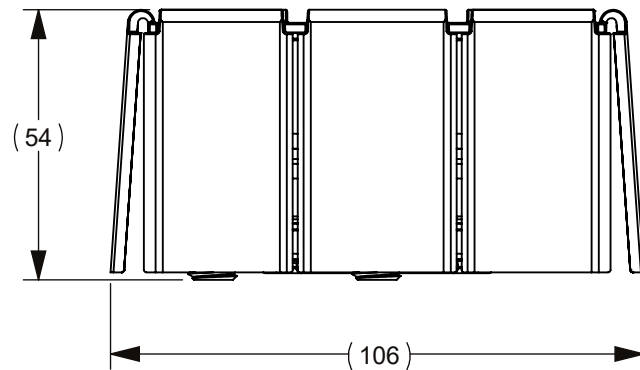


SHOWN WITHOUT COVER FOR REFERENCE



THE COVER OUTER DIMENSIONS ARE SUBJECT TO VARIABILITY

ASSEMBLY HEIGHT IS DEPENDENT ON THE CUSTOMER SUPPLIED RING TERMINAL USED



ORANGE COLORED THREADLOCK ON THE BOLT THREADS

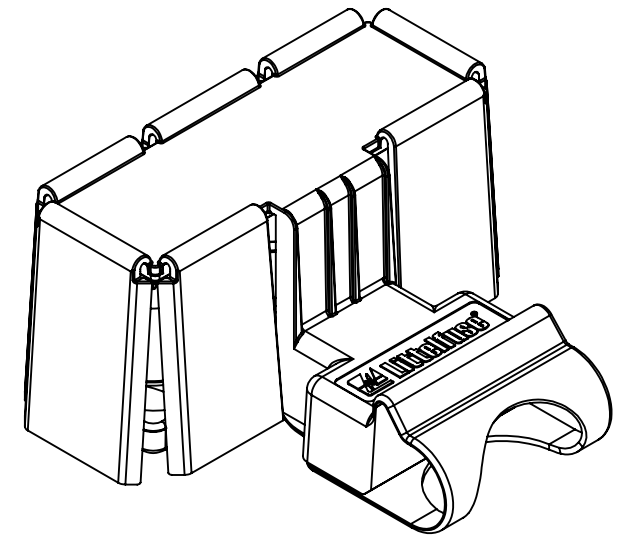


RETENTION TORQUE DEGRADES WITH EACH DISASSEMBLY

SECTION A-A

REVISIONS

ZONE	REV.	DESCRIPTION	DATE	APPROVED
	A	INITIAL RELEASE, GCF 520582	2/1/2019	
	B	ECO 521647 INCREASE M8N BOLT TORQUE, ADD PN, REVISE THEADLOCK DESCRIPTION, CHANGE M8 BOLT DIRECTION AND ADD FIGURE 2	11/18/2019	A.HOANG A.MENZER



NO.	PART NUMBER	COMPONENT NAME	QTY	U
4	890010920	Positive Battery Post, M10 x 1.5 Thread	1	ea.
3	890010900	BMZF M10 Isolated Bolt Assy	2	ea.
2	901-705	BMZF 3 POS Cover	1	ea.
1	890011000	Base Assy, BMZF 3 POS	1	ea.

INTERPRET DRAWING TO ANSI/ASME Y14.5-1994.

●	FIT/ FUNCTION CRITICAL CHARACTERISTICS SYMBOL
<S>	SAFETY/ COMPLIANCE CRITICAL CHARACTERISTICS SYMBOL
CPK	DENOTES CPK DIMENSIONS MINIMUM CPK VALUE
ST	DENOTES A CHARACTERISTIC THAT PROVIDES AN INDICATION OF PROCESS PERFORMANCE PROCEDURE FOR MEASUREMENT AND TRACKING TO BE DEFINED IN LITTELFUSE INSPECTION INSTRUCTIONS
CP	DENOTES CP DIMENSIONS, -MINIMUM CP VALUE MUST BE WITHIN THE DIMENSIONAL LIMITATIONS SHOWN ON DRAWING AND INITIALLY LOCATED TO ALLOW FOR MAXIMUM TOOL LIFE

DIMENSION: MM TOLERANCES UNLESS OTHERWISE SPECIFIED  
ONE PLACE DECIMAL ± 0.5 THREE PLACES DECIMAL ± 0.100  
TWO PLACES DECIMAL ± 0.20 ANGULAR ± 2°

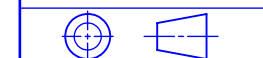
	NAME	DATE
DRAWN	L.VOGL	2/1/2019
CHECKED	-	-
	-	-
	-	-



Expertise Applied | Answers Delivered

FORM NO: CVP-PE40-0004 REV A

THIRD ANGLE PROJECTION



TITLE  
BMZF 2 POSITION + BATTERY POST ASSEMBLY

SIZE	DWG. NO.	REV.
B	OL-FHZ00857	B

DO NOT SCALE DRAWING

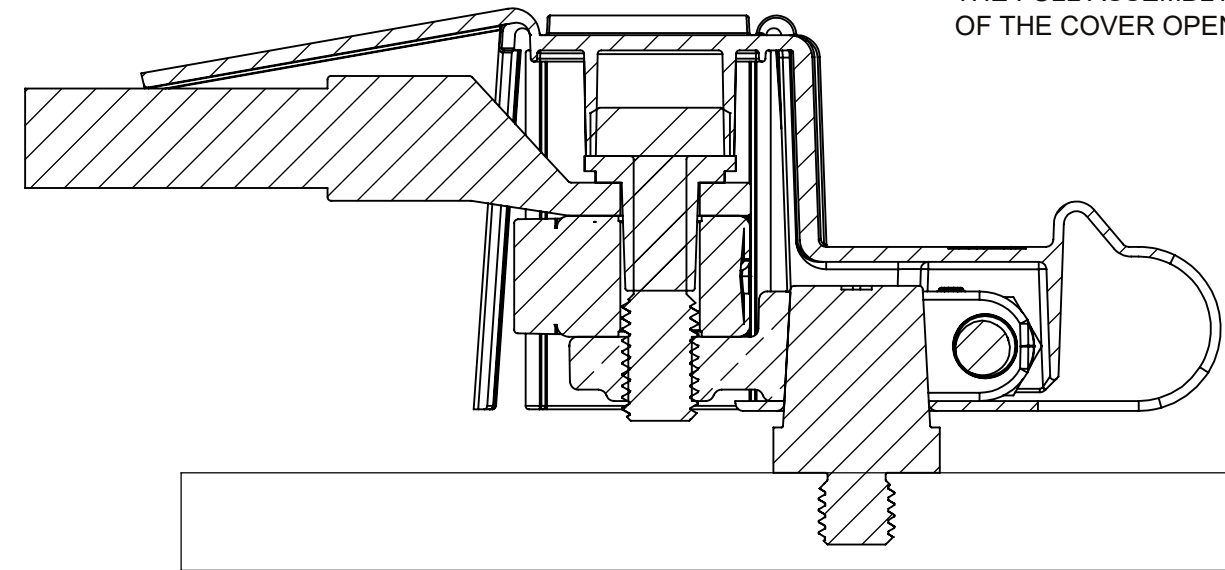
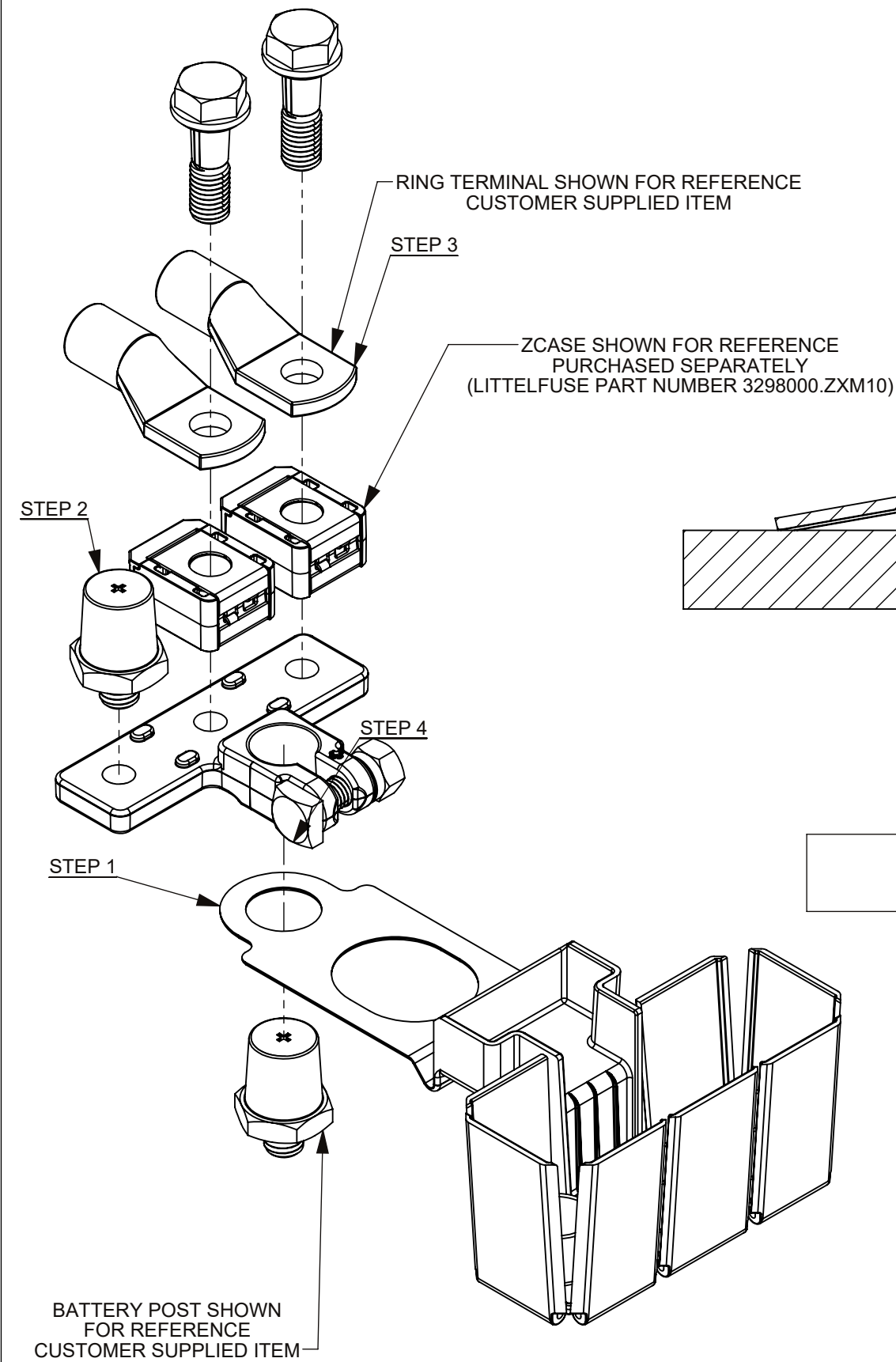
SCALE 2:3 SHEET 1 OF 2

THIS DRAWING AND THE INFORMATION CONTAINED WITHIN IT ARE CONFIDENTIAL AND MAY NOT BE COPIED OR DISCLOSED WITHOUT THE WRITTEN PERMISSION OF LITTELFUSE.

ASSEMBLY STEPS (FOR CUSTOMER USE ONLY)

(RING TERMINAL AND BATTERY POST ARE CUSTOMER SUPPLIED ITEMS)  
(M10 ZCASE SOLD SEPARATELY; LITTELFUSE PART NUMBER 3298000.ZXM10)

1. PLACE THE TAIL END OF THE COVER ONTO THE POSITIVE BATTERY POST (1:9 TAPER) WITH THE COVER FACING UPWARDS.
2. TIGHTEN THE BATTERY POST TO  $16 \pm 2 \text{ N}\cdot\text{m}$  INTO EITHER OF THE OUTER MATING HOLES OF THE BASE.
3. ASSEMBLE THE ISOLATED BOLT, M10 RING TERMINAL, & M10 ZCASE TO THE BASE ASSEMBLY. SECURE THE BOLT TO  $16 \pm 2 \text{ N}\cdot\text{m}$ . BE SURE THE RING TERMINAL DIMENSIONS MATCH THE FOLLOWING REQUIREMENTS (FIGURE 1):  
 $c2 \geq 11 \text{ mm}$   
IF MORE THAN ONE RING TERMINAL SIZE IS USED, THE THICKNESS (t) OF EACH MUST BE WITHIN 2mm OF EACH OTHER
4. ATTACH THE BASE ASSEMBLY TO THE POSITIVE BATTERY POST OVER THE COVER. SECURE THE ASSEMBLY BY TIGHTENING THE M8 SHOULD HEX NUT TO  $12 \pm 1 \text{ N}\cdot\text{m}$ . M8 NUT AND BOLT CAN BE ASSEMBLED IN LEFT OR RIGHT HAND ORIENTATION FOR BEST ACCESS DURING ASSEMBLY (FIGURE 2).
5. WRAP THE COVER AROUND THE ASSEMBLY AND SECURE IT TO THE BOLT HEAD (AS SHOWN IN THE FULL ASSEMBLY CROSS SECTION). THE RING TERMINAL AND WIRE WILL EXTEND OUT OF ONE OF THE COVER OPENINGS.



FULLY ASSEMBLED CROSS SECTION VIEW  
SCALE 1:1

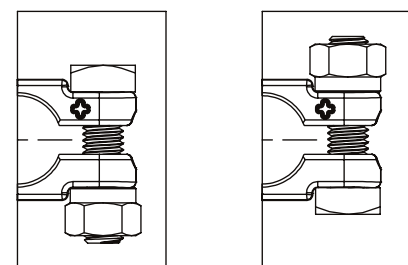


FIGURE 2  
M8 NUT AND BOLT ASSEMBLY ORIENTATION  
M8 NUT AND BOLT CAN BE ASSEMBLED IN LEFT OR RIGHT HAND ORIENTATION

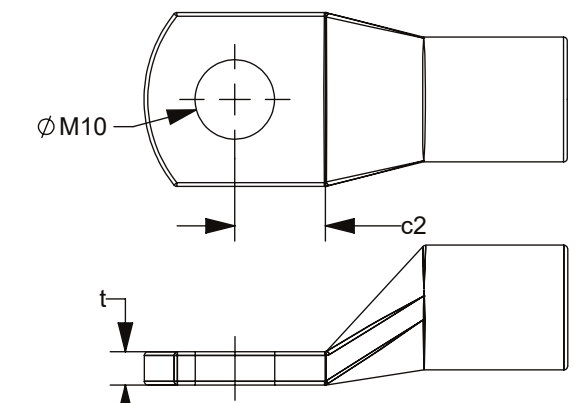


FIGURE 1  
EXAMPLE RING TERMINAL  
LENGTH "c2"  $\geq 11 \text{ mm}$   
THICKNESS "t" MUST BE WITHIN 2mm FOR MULTIPLE RING TERMINALS

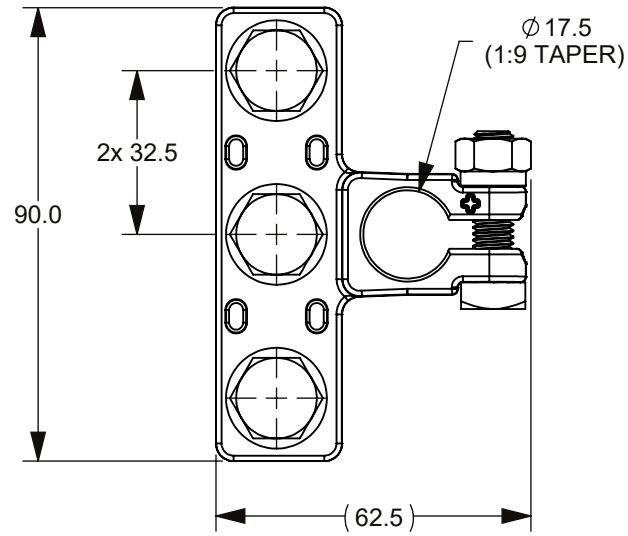
INTERPRET DRAWING TO ANSI/ASME Y14.5-1994.	
●	FIT/ FUNCTION CRITICAL CHARACTERISTICS SYMBOL
<S>	SAFETY/ COMPLIANCE CRITICAL CHARACTERISTICS SYMBOL
CPK	DENOTES CPK DIMENSIONS MINIMUM CPK VALUE
ST	DENOTES A CHARACTERISTIC THAT PROVIDES AN INDICATION OF PROCESS PERFORMANCE PROCEDURE FOR MEASUREMENT AND TRACKING TO BE DEFINED IN LITTELFUSE INSPECTION INSTRUCTIONS
CP	DENOTES CP DIMENSIONS. -MINIMUM CP VALUE MUST BE WITHIN THE DIMENSIONAL LIMITATIONS SHOWN ON DRAWING AND INITIALLY LOCATED TO ALLOW FOR MAXIMUM TOOL LIFE
DIMENSION: MM TOLERANCES UNLESS OTHERWISE SPECIFIED ONE PLACE DECIMAL $\pm 0.5$ THREE PLACES DECIMAL $\pm 0.100$ TWO PLACES DECIMAL $\pm 0.20$ ANGULAR $\pm 2^\circ$	
NAME	DATE
DRAWN L.VOGL	2/1/2019
CHECKED -	-
-	-
-	-
FORM NO: CVP-PE40-0004 REV A	
THIRD ANGLE PROJECTION	
DO NOT SCALE DRAWING	SCALE 2:3
Expertise Applied   Answers Delivered	
TITLE BMZF 2 POSITION + BATTERY POST ASSEMBLY	
SIZE B	DWG. NO. OL-FHZ00857
REV. B	SHEET 2 OF 2



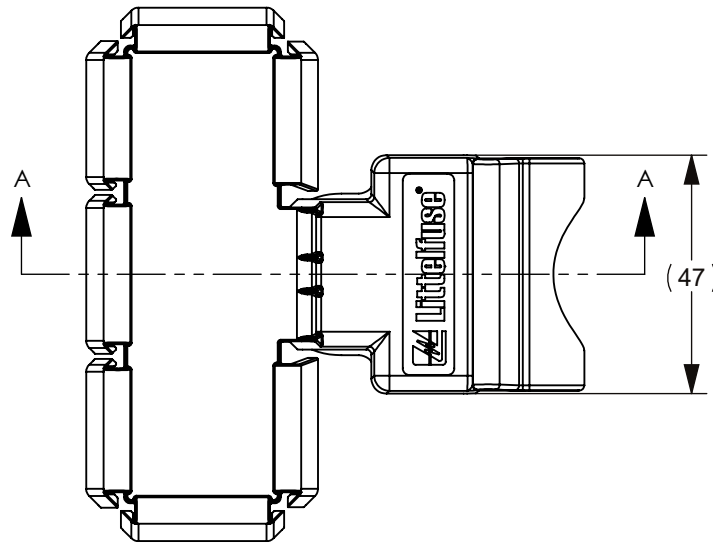
THIS DRAWING AND THE INFORMATION CONTAINED WITHIN IT ARE CONFIDENTIAL AND MAY NOT BE COPIED OR DISCLOSED WITHOUT THE WRITTEN PERMISSION OF LITTELFUSE.

NOTES

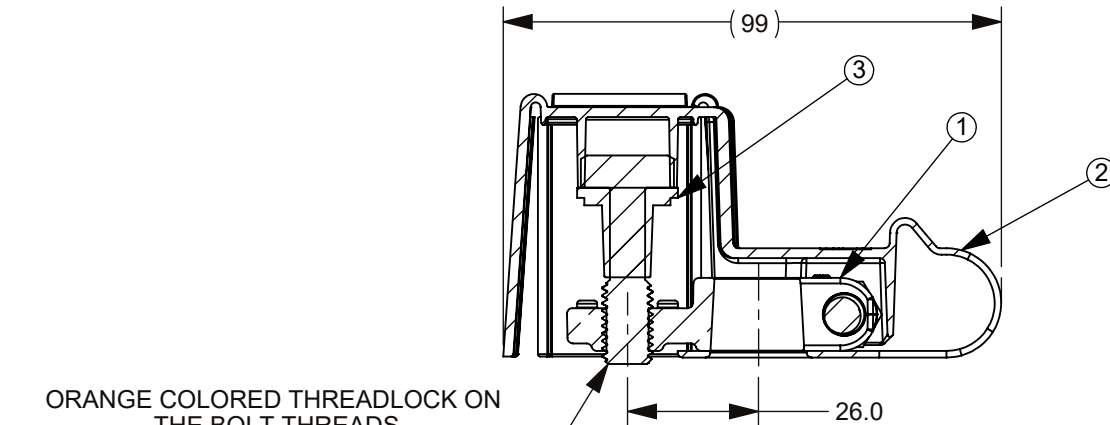
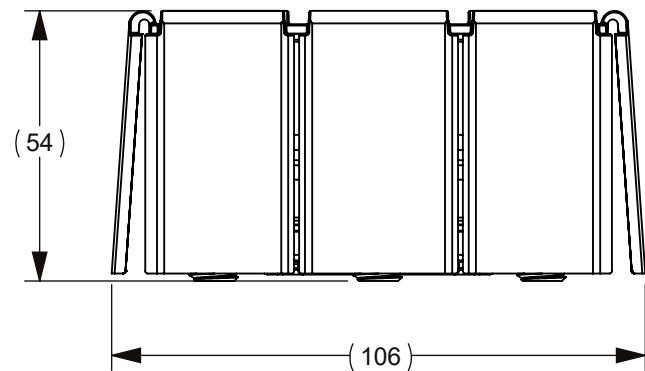
1. MATERIAL:  
BASE: COPPER ALLOY PLATED WITH TIN OVER NICKEL  
BOLTS AND NUTS: 304 STAINLESS STEEL  
COVER: TPV; UL94, V0 RATED
2. BMZF MUST BE USED WITH LITTELFUSE SUPPLIED M10 ISOLATED BOLT ONLY (890010900)  
M10 BOLT TORQUE: 16±2 N·m
3.  $\triangle B$  M8 SHOULDER NUT TORQUE: 12±1 N·m
4. MAXIMUM CONTINUOUS CURRENT: 325A
5. VOLTAGE RATING: 32V
6. OPERATING TEMPERATURE: -40°C TO 105°C
7. STORAGE TEMPERATURE: -50°C TO 125°C



SHOWN WITHOUT COVER FOR REFERENCE



THE COVER OUTER DIMENSIONS ARE SUBJECT TO VARIABILITY  
ASSEMBLY HEIGHT IS DEPENDENT ON THE CUSTOMER SUPPLIED RING TERMINAL USED

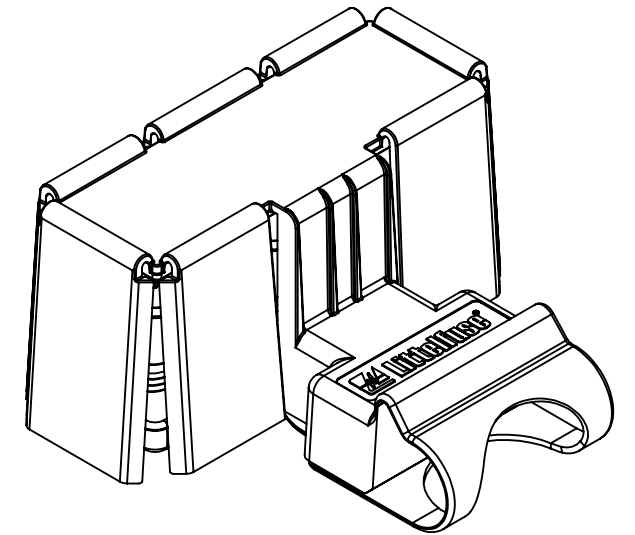


$\triangle B$  ORANGE COLORED THREADLOCK ON THE BOLT THREADS  
RETENTION TORQUE DEGRADES WITH EACH DISASSEMBLY

SECTION A-A

REVISIONS

ZONE	REV.	DESCRIPTION	DATE	APPROVED
	A	INITIAL RELEASE, GCF 520582	2/1/2019	
	B	ECO 521647 INCREASE M8 BOLT TORQUE, ADD PN, REVISE THREADLOCK DESCRIPTION, UPDATE M8 BOLT DIRECTION AND ADD FIGURE 2	11/18/2019	A.HOANG A.MENZER



NO.	PART NUMBER	COMPONENT NAME	QTY	U
3	890010900	BMZF M10 Isolated Bolt Assy	3	ea.
2	901-705	BMZF 3 POS Cover	1	ea.
1	890011000	Base Assy, BMZF 3 POS	1	ea.

INTERPRET DRAWING TO ANSI/ASME Y14.5-1994.

$\bullet$	FIT/ FUNCTION CRITICAL CHARACTERISTICS SYMBOL
<S>	SAFETY/ COMPLIANCE CRITICAL CHARACTERISTICS SYMBOL
CPK	DENOTES CPK DIMENSIONS MINIMUM CPK VALUE
ST	DENOTES A CHARACTERISTIC THAT PROVIDES AN INDICATION OF PROCESS PERFORMANCE PROCEDURE FOR MEASUREMENT AND TRACKING TO BE DEFINED IN LITTELFUSE INSPECTION INSTRUCTIONS
CP	DENOTES CP DIMENSIONS, -MINIMUM CP VALUE MUST BE WITHIN THE DIMENSIONAL LIMITATIONS SHOWN ON DRAWING AND INITIALLY LOCATED TO ALLOW FOR MAXIMUM TOOL LIFE

DIMENSION: MM TOLERANCES UNLESS OTHERWISE SPECIFIED  
ONE PLACE DECIMAL ± 0.5 THREE PLACES DECIMAL ± 0.100  
TWO PLACES DECIMAL ± 0.20 ANGULAR ± 2°

	NAME	DATE
DRAWN	L.VOGL	2/1/2019
CHECKED	-	-
	-	-
	-	-



FORM NO: CVP-PE40-0004 REV A

THIRD ANGLE PROJECTION

TITLE  
BMZF 3 POSITION ASSEMBLY

$\oplus$	DO NOT SCALE DRAWING
$\square$	SCALE 2:3

SIZE	DWG. NO.	REV.
B	OL-FHZ00856	B

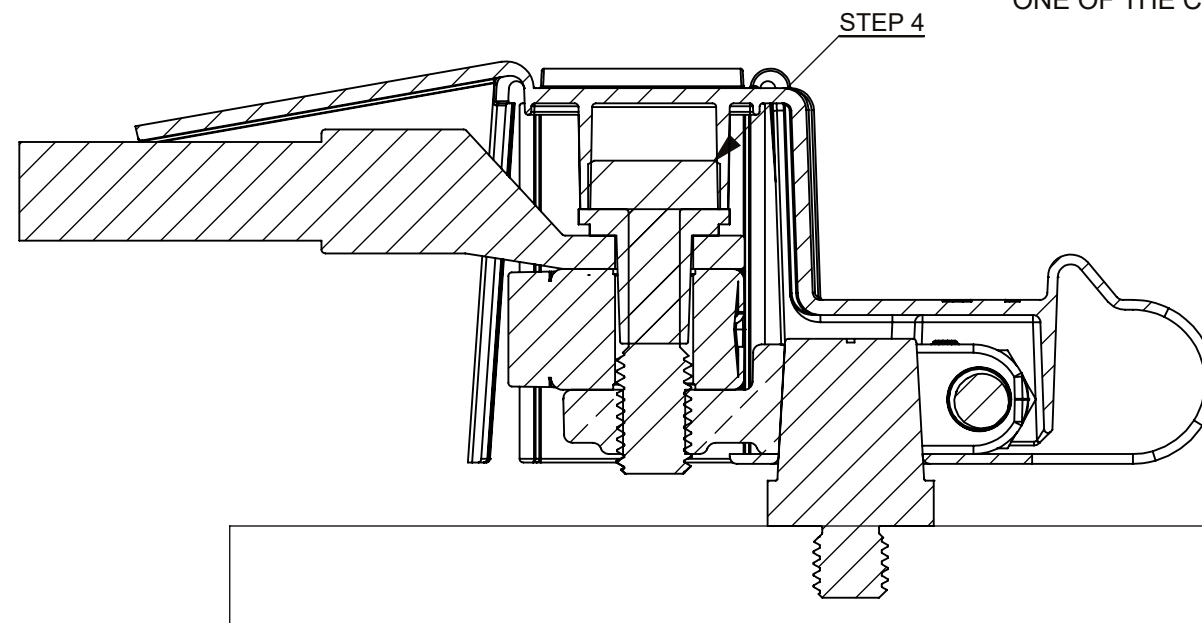
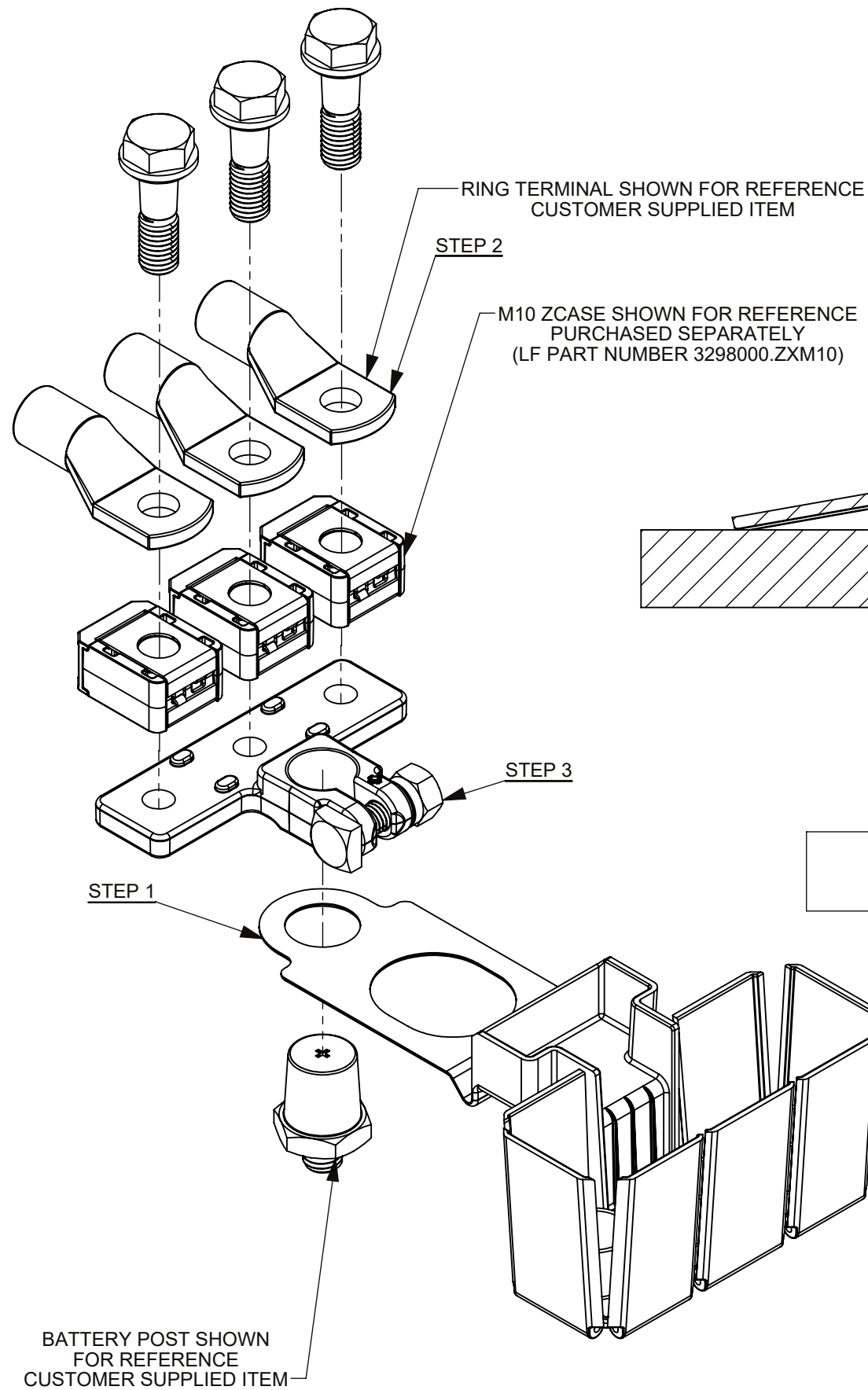
SHEET 1 OF 2

THIS DRAWING AND THE INFORMATION CONTAINED WITHIN IT ARE CONFIDENTIAL AND MAY NOT BE COPIED OR DISCLOSED WITHOUT THE WRITTEN PERMISSION OF LITTELFUSE.

ASSEMBLY STEPS (FOR CUSTOMER USE ONLY)

(RING TERMINAL AND BATTERY POST ARE CUSTOMER SUPPLIED ITEMS)  
(M10 ZCASE SOLD SEPARATELY; LITTELFUSE PART NUMBER 3298000.ZXM10)

1. PLACE THE TAIL END OF THE COVER ONTO THE POSITIVE BATTERY POST (1:9 TAPER) WITH THE COVER FACING UPWARDS.
2. ASSEMBLE THE ISOLATED BOLT, M10 RING TERMINAL, & M10 ZCASE TO THE BASE ASSEMBLY. SECURE THE BOLT TO  $16 \pm 2$  N·m. BE SURE THE RING TERMINAL DIMENSIONS MATCH THE FOLLOWING REQUIREMENTS (FIGURE 1):  $c2 \geq 11$ mm. IF MORE THAN ONE RING TERMINAL SIZE IS USED, THE THICKNESS (t) OF EACH MUST BE WITHIN 2mm OF EACH OTHER.
3. ATTACH THE BASE ASSEMBLY TO THE POSITIVE BATTERY POST OVER THE COVER. SECURE THE ASSEMBLY BY TIGHTENING THE M8 SHOULD HEX NUT TO  $12 \pm 1$  N·m. M8 NUT AND BOLT CAN BE ASSEMBLED IN LEFT OR RIGHT HAND ORIENTATION FOR BEST ACCESS DURING ASSEMBLY (FIGURE 2).
4. WRAP THE COVER AROUND THE ASSEMBLY AND SECURE IT TO THE BOLT HEAD (AS SHOWN IN THE FULL ASSEMBLY CROSS SECTION). THE RING TERMINAL AND WIRE WILL EXTEND OUT OF ONE OF THE COVER OPENINGS.



FULLY ASSEMBLED CROSS SECTION VIEW  
SCALE 1:1

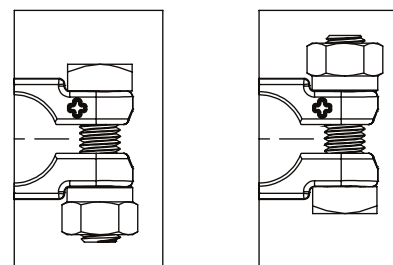


FIGURE 2  
M8 NUT AND BOLT ASSEMBLY ORIENTATION  
M8 NUT AND BOLT CAN BE ASSEMBLED IN LEFT OR RIGHT HAND ORIENTATION

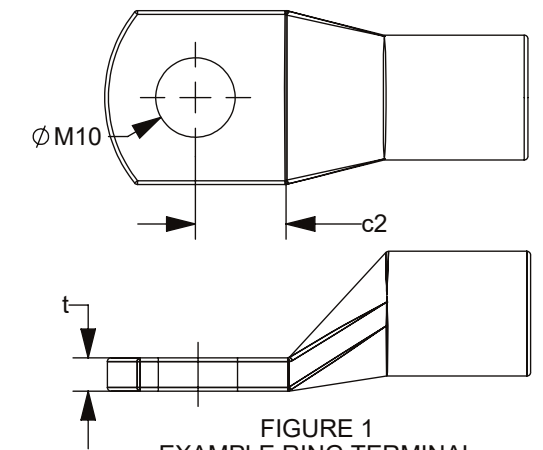


FIGURE 1  
EXAMPLE RING TERMINAL  
LENGTH "c2"  $\geq 11$ mm  
THICKNESS "t" MUST BE WITHIN 2mm  
FOR MULTIPLE RING TERMINALS

INTERPRET DRAWING TO ANSI/ASME Y14.5-1994.	
●	FIT/ FUNCTION CRITICAL CHARACTERISTICS SYMBOL
<S>	SAFETY/ COMPLIANCE CRITICAL CHARACTERISTICS SYMBOL
CPK	DENOTES CPK DIMENSIONS MINIMUM CPK VALUE
ST	DENOTES A CHARACTERISTIC THAT PROVIDES AN INDICATION OF PROCESS PERFORMANCE PROCEDURE FOR MEASUREMENT AND TRACKING TO BE DEFINED IN LITTELFUSE INSPECTION INSTRUCTIONS
CP	DENOTES CP DIMENSIONS. -MINIMUM CP VALUE MUST BE WITHIN THE DIMENSIONAL LIMITATIONS SHOWN ON DRAWING AND INITIALLY LOCATED TO ALLOW FOR MAXIMUM TOOL LIFE
DIMENSION: MM TOLERANCES UNLESS OTHERWISE SPECIFIED ONE PLACE DECIMAL $\pm 0.5$ THREE PLACES DECIMAL $\pm 0.100$ TWO PLACES DECIMAL $\pm 0.20$ ANGULAR $\pm 2^\circ$	
NAME	DATE
DRAWN LVOGL	2/1/2019
CHECKED -	-
-	-
-	-
FORM NO: CVP-PE40-0004 REV A	
THIRD ANGLE PROJECTION	
DO NOT SCALE DRAWING	
Expertise Applied   Answers Delivered	
TITLE BMZF 3 POSITION ASSEMBLY	
SIZE B	DWG. NO. OL-FHZ00856
SCALE 2:3	REV. B
SHEET 2 OF 2	