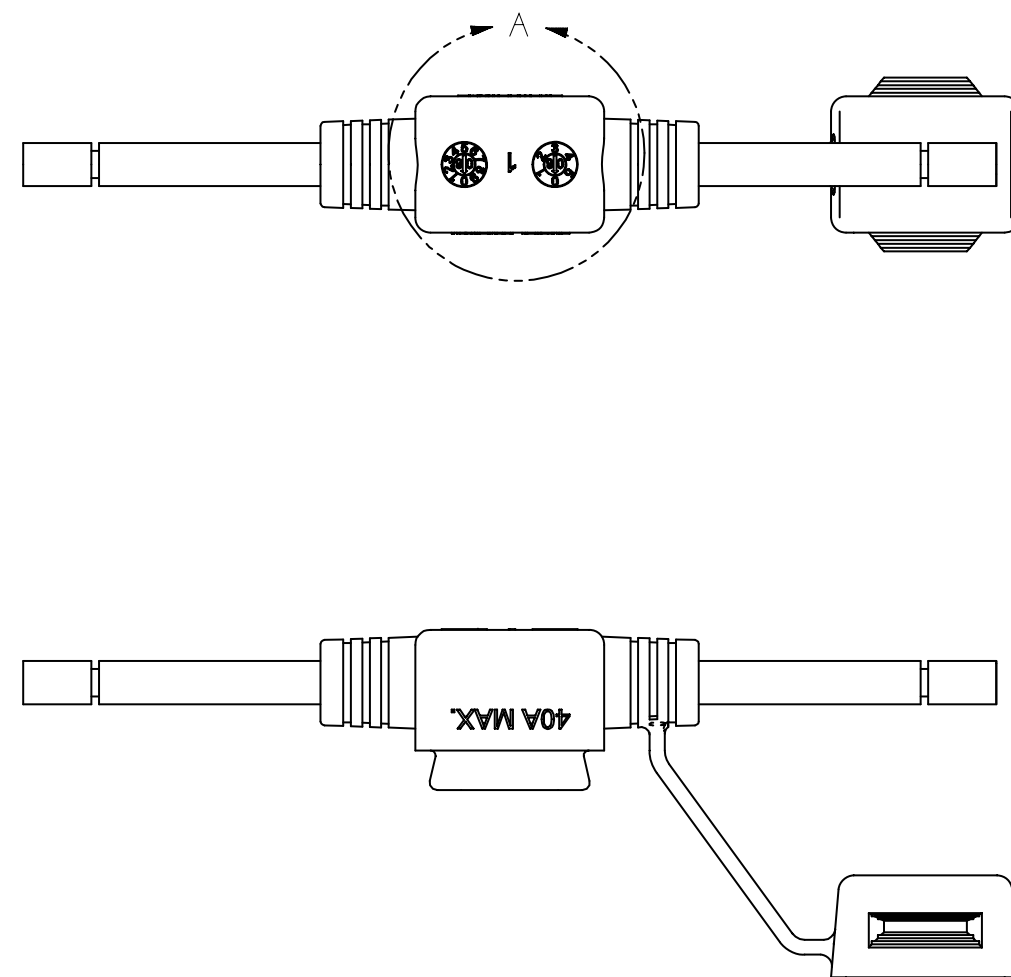
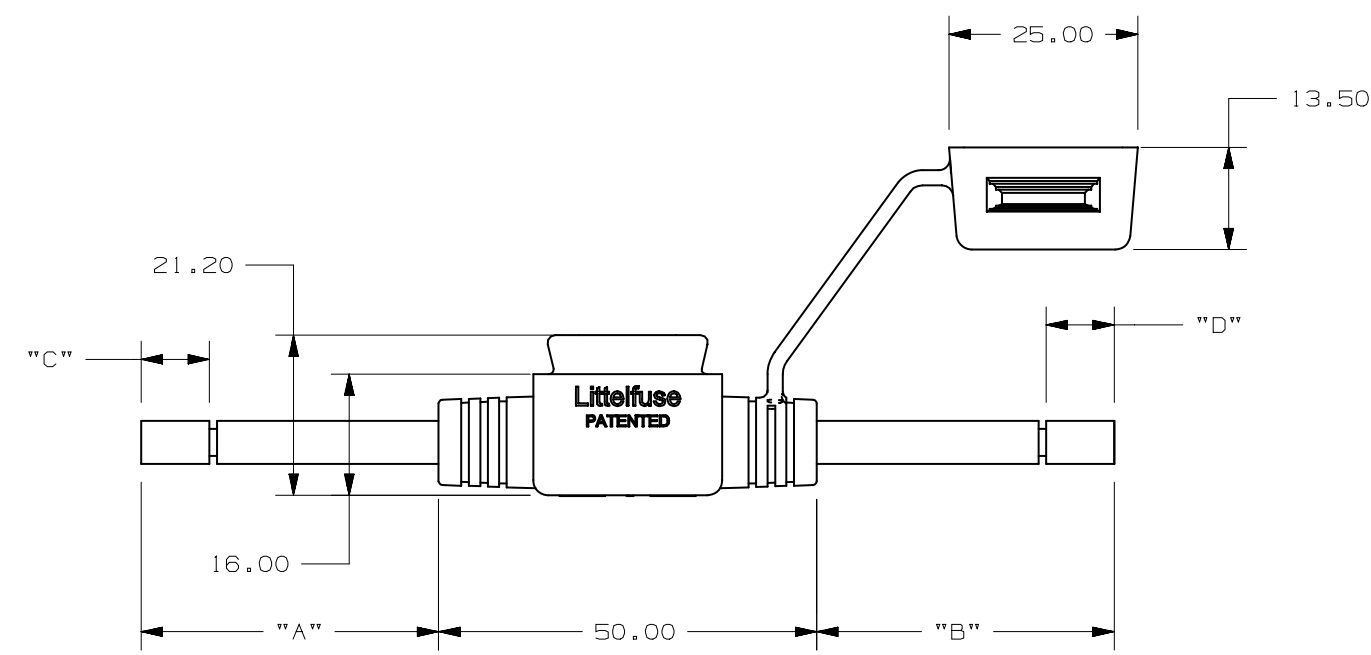
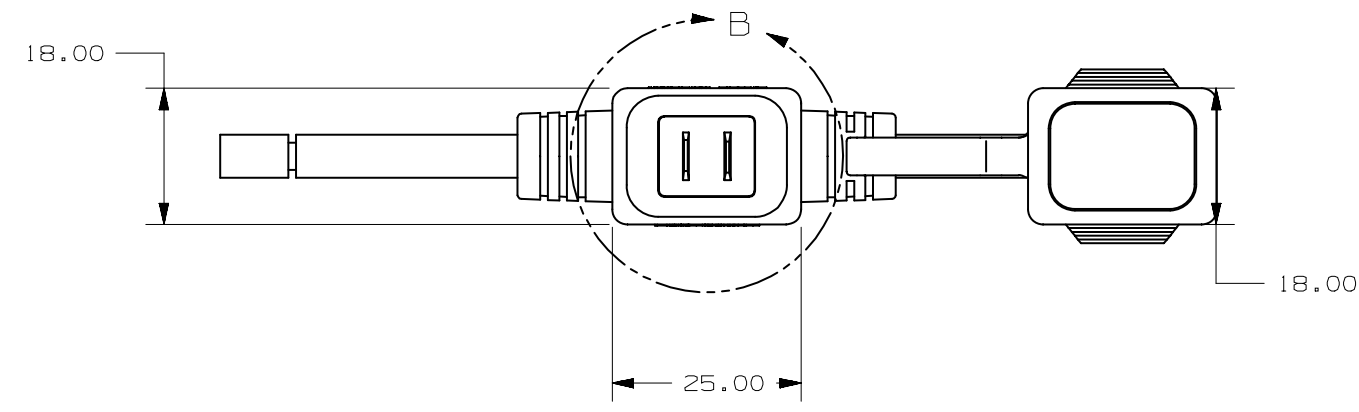
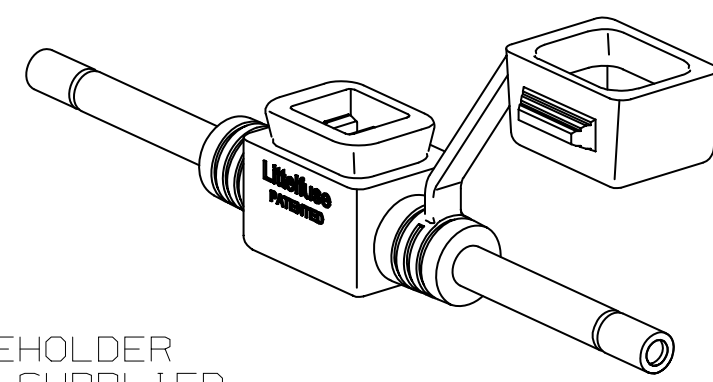
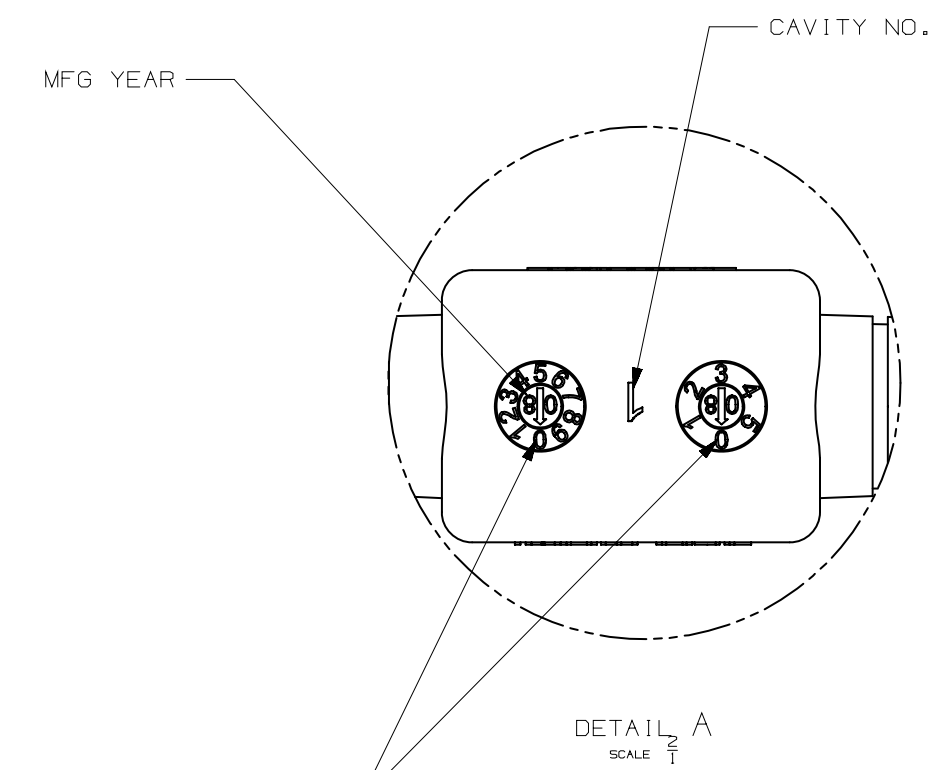
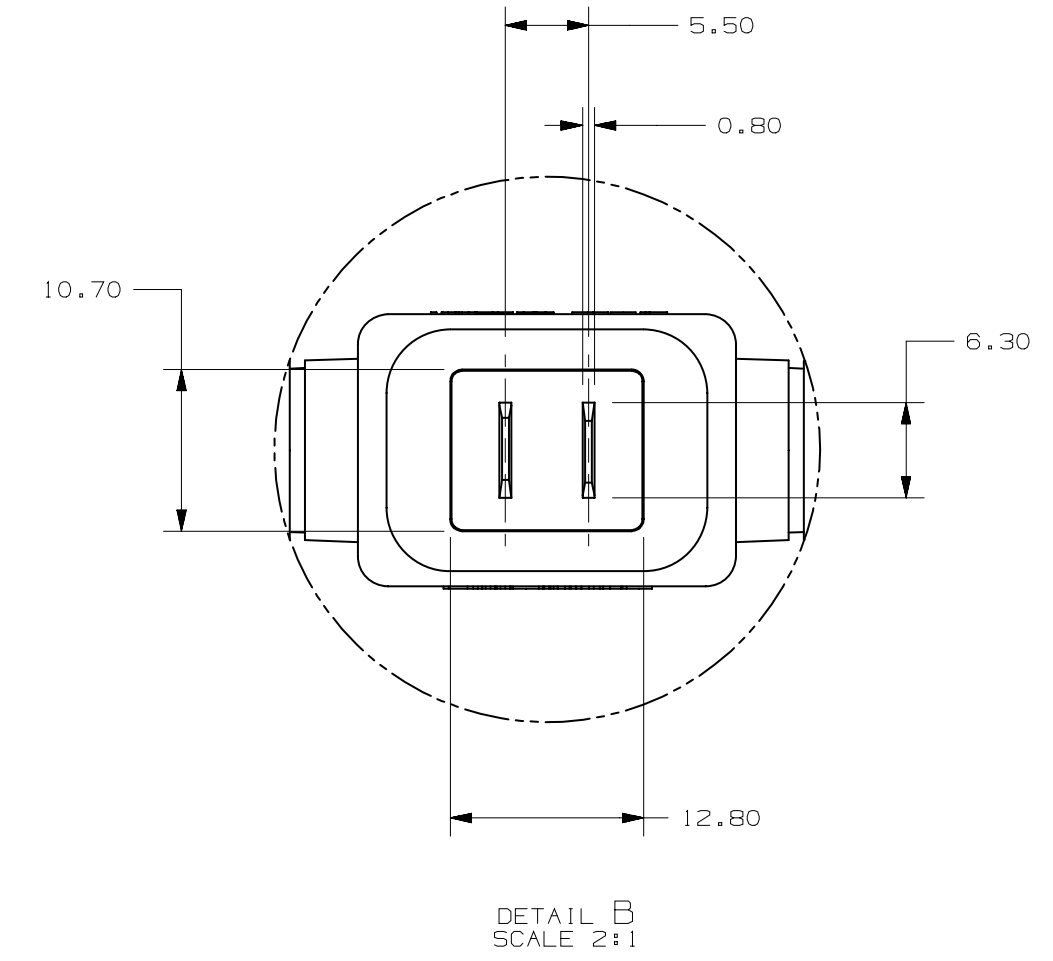


PART NUMBER	"A"	"B"	"C"	"D"	LEAD "A" COLOR	LEAD "B" COLOR	INSULATION TYPE	WIRE SIZE	PACKAGING NOTES
HLJC1001G	102.0	102.0	9.0	9.0	RED	RED	GXL (STANDARD)	10 AWG	-
HLJC1002G	102.0	102.0	9.0	9.0	RED	RED	GXL (STANDARD)	8 AWG	-
HLJC1001GXD	180.0	180.0	15.0	9.0	RED	RED	GXL (STANDARD)	10 AWG	SEE NOTE J

PACKAGING NOTES:
 1. PACKAGE BULK PACK IN BAG ESTIMATED 25 PCS PER BAG,
 250 PCS PER CARTON.



1. HOLDER MATERIAL: BLACK TPV 251 80W 23Z
2. CONTACTS: C194 COPPER ALLOY: TIN-PLATED
3. WIRE: SEE CHART
4. CRIMP: MUST MEET SAE/USCAR 21 STANDARD
5. MAX TEMPERATURE 125° C
6. FUSEHOLDERS SHOULD NOT BE PLACES UNDER TENSION IN FINAL APPLICATION.



FUSEHOLDER
 NOT SUPPLIED
 WITH FUSE

LTR	DATE	REVISION	CHK	APP
A	11/18/09	000847ER-RELEASED CAD		
B	04/28/11	502071ERA-RELEASE HLJC1001GXD ADD PACKAGING NOTES OPL		
C	08/17/12	505869ECA-REMOVAL OF MOUNTING HOLE OPL		

NO	COMPONENT NO	DESCRIPTION	QTY/M	U/M	
BILL OF MATERIAL					
UNLESS OTHERWISE SPECIFIED, DIMENSIONS ARE IN MILLIMETERS. DIMENSIONS IN BRACKETS () ARE INCHES					
UNLESS OTHERWISE SPECIFIED, DIMENSIONS DO NOT INCLUDE PLATING.					
⊙	DENOTES CRITICAL CHARACTERISTICS.				
CPK	DENOTES CPK DIMENSIONS, -MINIMUM CPK VALUE				
ST	DENOTES A CHARACTERISTIC THAT PROVIDES AN INDICATION OF PROCESS PERFORMANCE. PROCEDURE FOR MEASUREMENT AND TRACKING TO BE DEFINED IN LITTELFUSE INSPECTION INSTRUCTIONS				
CP	DENOTES CP DIMENSIONS, -MINIMUM CP VALUE MUST BE WITHIN THE DIMENSIONAL LIMITATIONS SHOWN ON DRAWING AND INITIALLY LOCATED TO ALLOW FOR MAXIMUM TOOL LIFE				
COPIES TO					
1	9	18			
2	10	19	FINISH		
3	12	20			
4	13	21	DRW	CAD	
5	14	23	DATE	11/18/09	
6	15	33	SCALE	1:1	
7	16	43	CHK	DATE	
8	17	53	APPD	DATE	
TOLERANCES UNLESS OTHERWISE SPECIFIED (REF. ISO 2768-PTH)					
DIMENSION	0.5 - .5	.5 - .6	.6 - .30	.30 - .120	.120 - 400
TOLERANCE	+0.05	+0.05	+0.1	+0.15	+0.2
PROJECTION	FIRST ANGLE				
TITLE	LOW-PROFILE JCASE HOLDER W/COVER, STANDARD MTG.				
REV	DATE		REVISED BY		
1	11/18/09		CAD		
METRIC COMPONENT					
Littelfuse					
REV PLAINFIELD, ILLINOIS 60554					
REVISION/DRAWING NO.					
C OL-HLJC1000G					

METRIC
 COMPONENT

Littelfuse
 REV PLAINFIELD, ILLINOIS 60554
 REVISION/DRAWING NO.
 C OL-HLJC1000G

CAD GENERATED DRAWING - NO PENCIL CHANGES ALLOWED